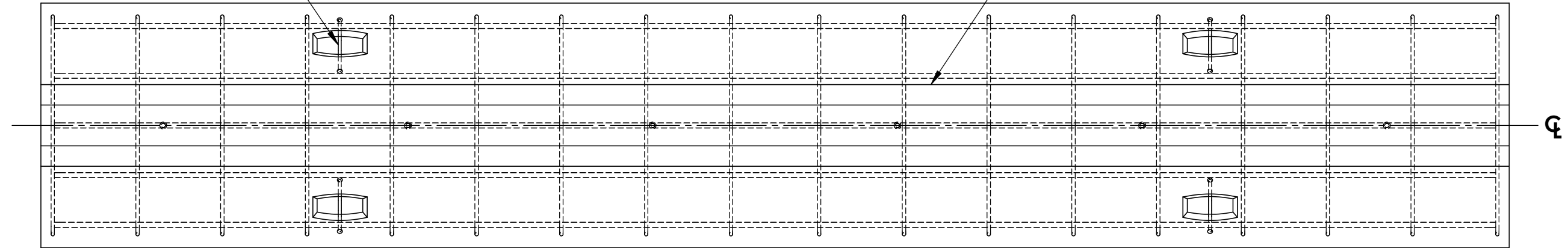
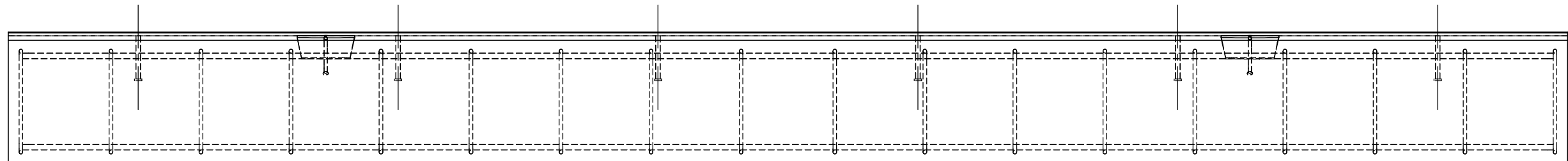


LIFTING ANCHORS

BEARING PLATE
SEE DETAIL ON SHEET 2



PLAN DETAIL



ELEVATION DETAIL

SILL WEIGHT = ?
SILL VOLUME = ?

© INLAND NORTHWEST PRECAST 2018



INLAND NORTHWEST PRECAST

5516 NORTH STARR RD PO BOX 610, NEWMAN LAKE, WA 99025 ~ (509) 226-5050

PROJECT:

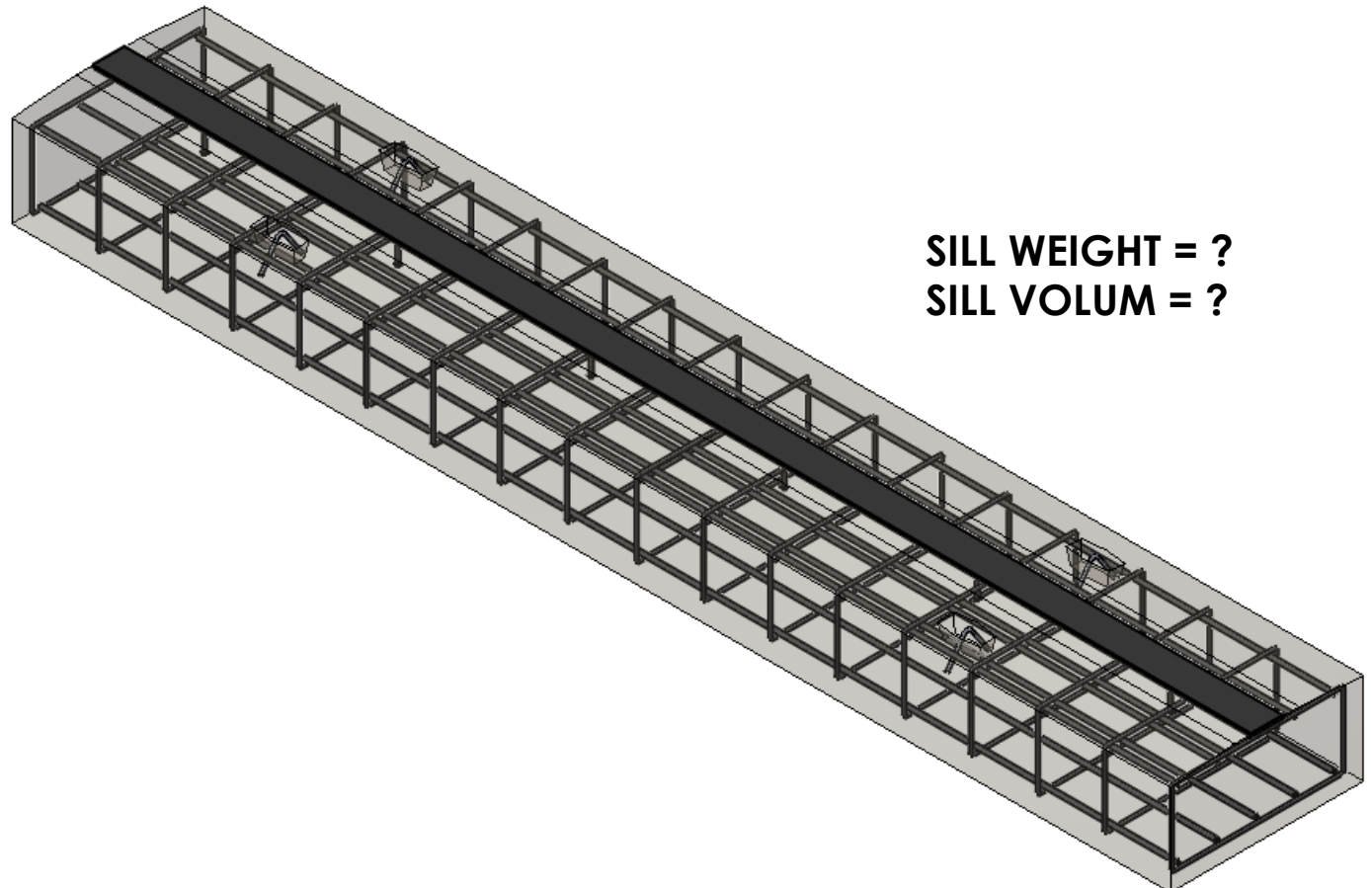
CUSTOM BRIDGE SILL

SHEET:

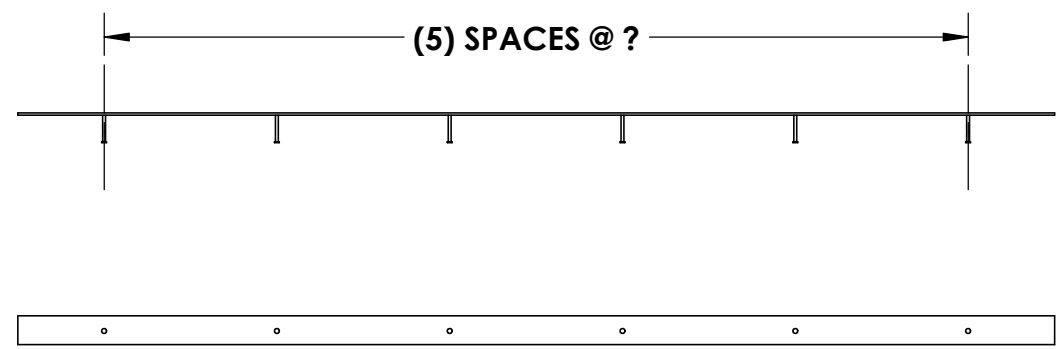
1

DATE:

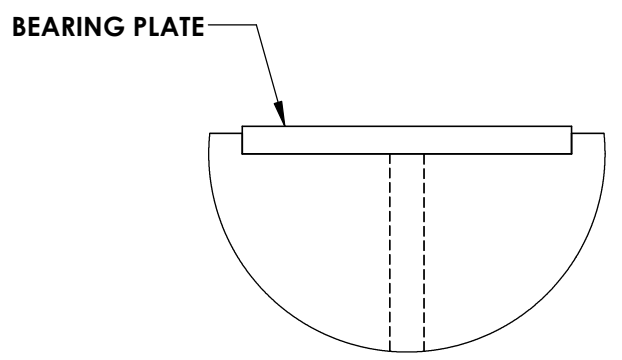
8/1/2018



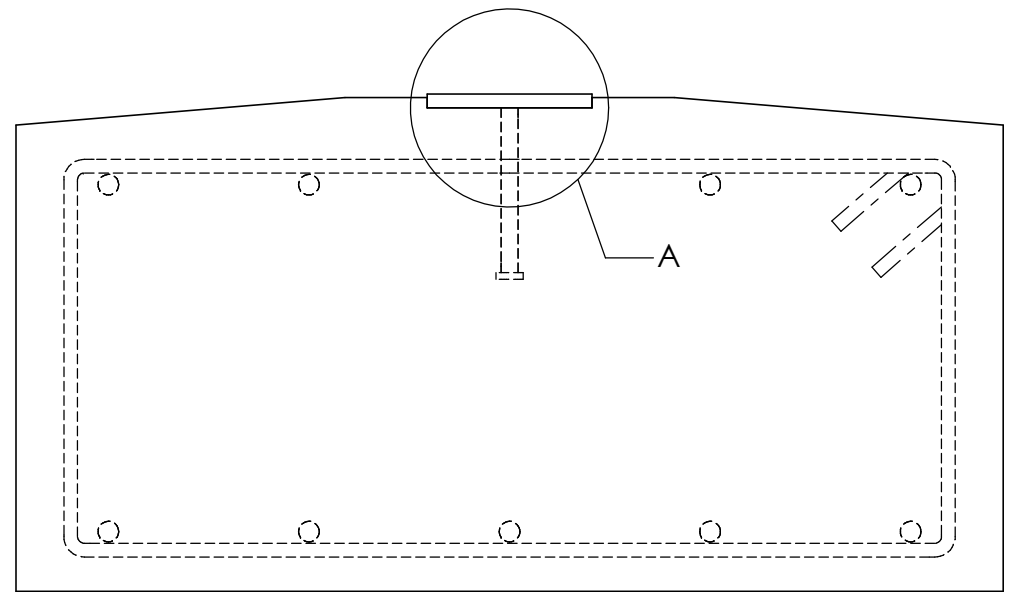
SILL WEIGHT = ?
SILL VOLUM = ?



BEARING BAR DETAIL



REVEAL DETAIL A



FRONT DETAIL

© INLAND NORTHWEST PRECAST 2018



Inland NorthWest Precast

5516 NORTH STARR RD PO BOX 610, NEWMAN LAKE, WA 99025 ~ (509) 226-5050

PROJECT:

CUSTOM BRIDGE SILL

SHEET:

2

DATE:

8/1/2018