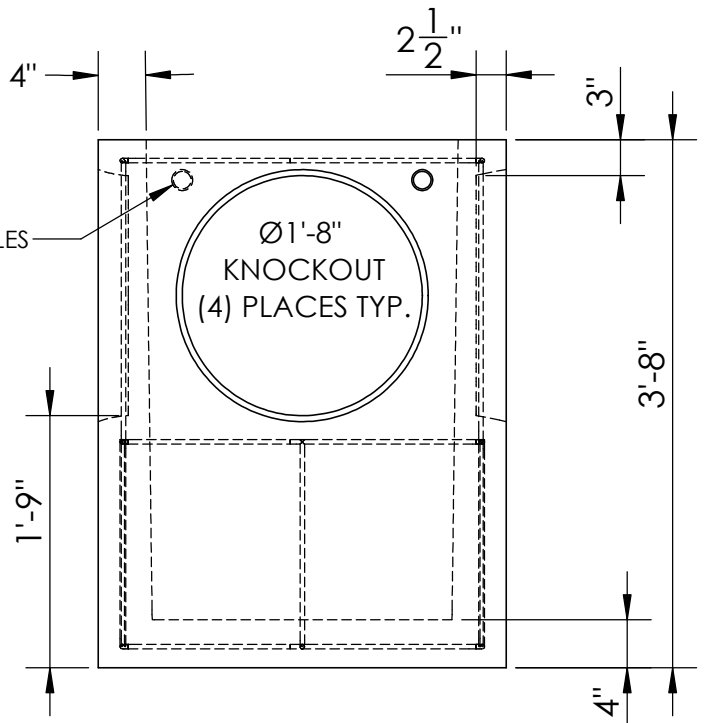
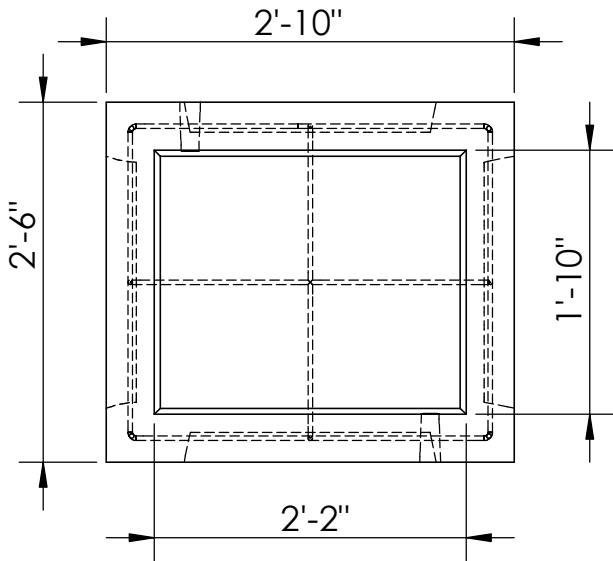
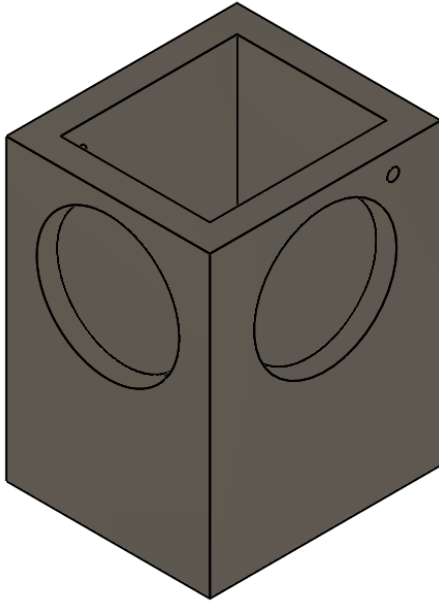


TYPE 1 CATCH BASIN



WEIGHT: 1,700#

* **CONCRETE:**
4,000 PSI MIN.

* **REINFORCMENT:**
#3 GRADE 60 REBAR THROUGHOUT

* **SQUARE GRADE ADJUSTMENT RINGS**
AVAILABLE UPON REQUEST

* **CAST-IRON FRAME & GRATE**
AVAILABLE UPON REQUEST

~ STRUCTURE MEETS OR EXCEEDS WSDOT STANDARD
PLAN B-5.20-01 AND IS CONSTRUCTED IN ACCORDANCE
WITH ASTM C858 & AASHTO M199 PER WSDOT SPEC. 9-05.50(1)

© INLAND NORTHWEST PRECAST 2018



INLAND NORTHWEST PRECAST

5516 NORTH STARR RD PO BOX 610, NEWMAN LAKE, WA 99025 ~ (509) 226-5050