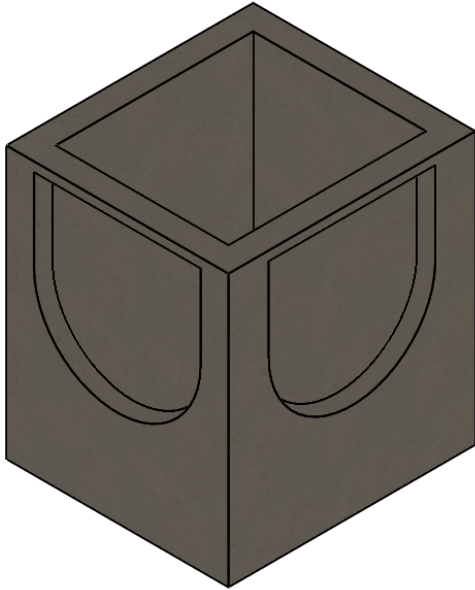
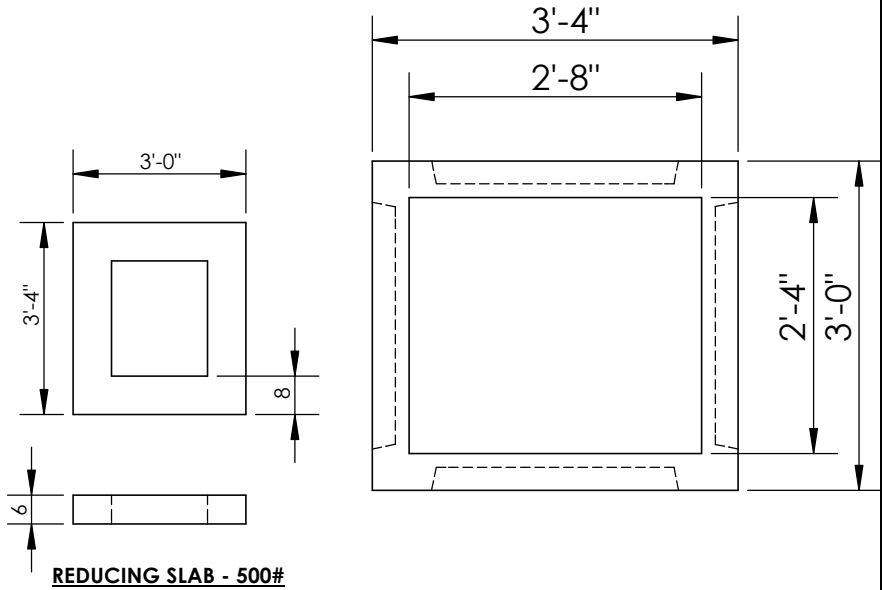


# TYPE 1L CATCH BASIN



**WEIGHT: 1,845#**



**\* CONCRETE:**

4,000 PSI MIN.

**\* REINFORCEMENT:**

#3 GRADE 60 REBAR THROUGHOUT

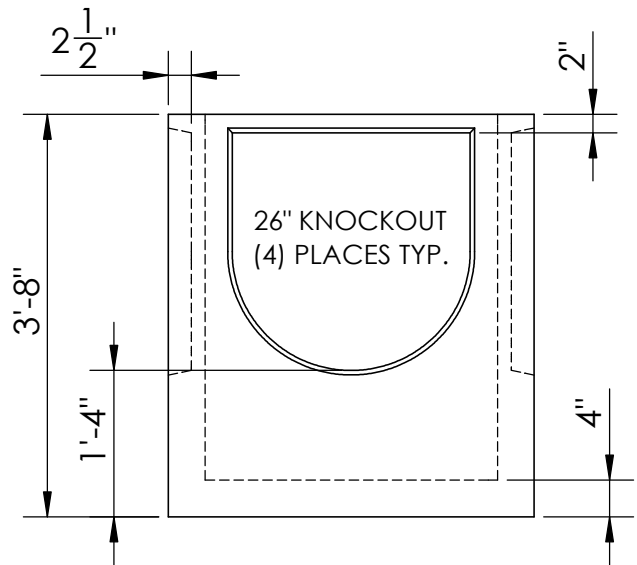
**\* SQUARE GRADE ADJUSTMENT RINGS:**

AVAILABLE UPON REQUEST

**\* CAST-IRON FRAME & GRATE**

AVAILABLE UPON REQUEST

~ STRUCTURE MEETS OR EXCEEDS WSDOT STANDARD  
PLAN B-5.20-01 AND IS CONSTRUCTED IN ACCORDANCE  
WITH ASTM C858



© INLAND NORTHWEST PRECAST 2018



# INLAND NORTH WEST PRECAST

5516 NORTH STARR RD PO BOX 610, NEWMAN LAKE, WA 99025 ~ (509) 226-5050