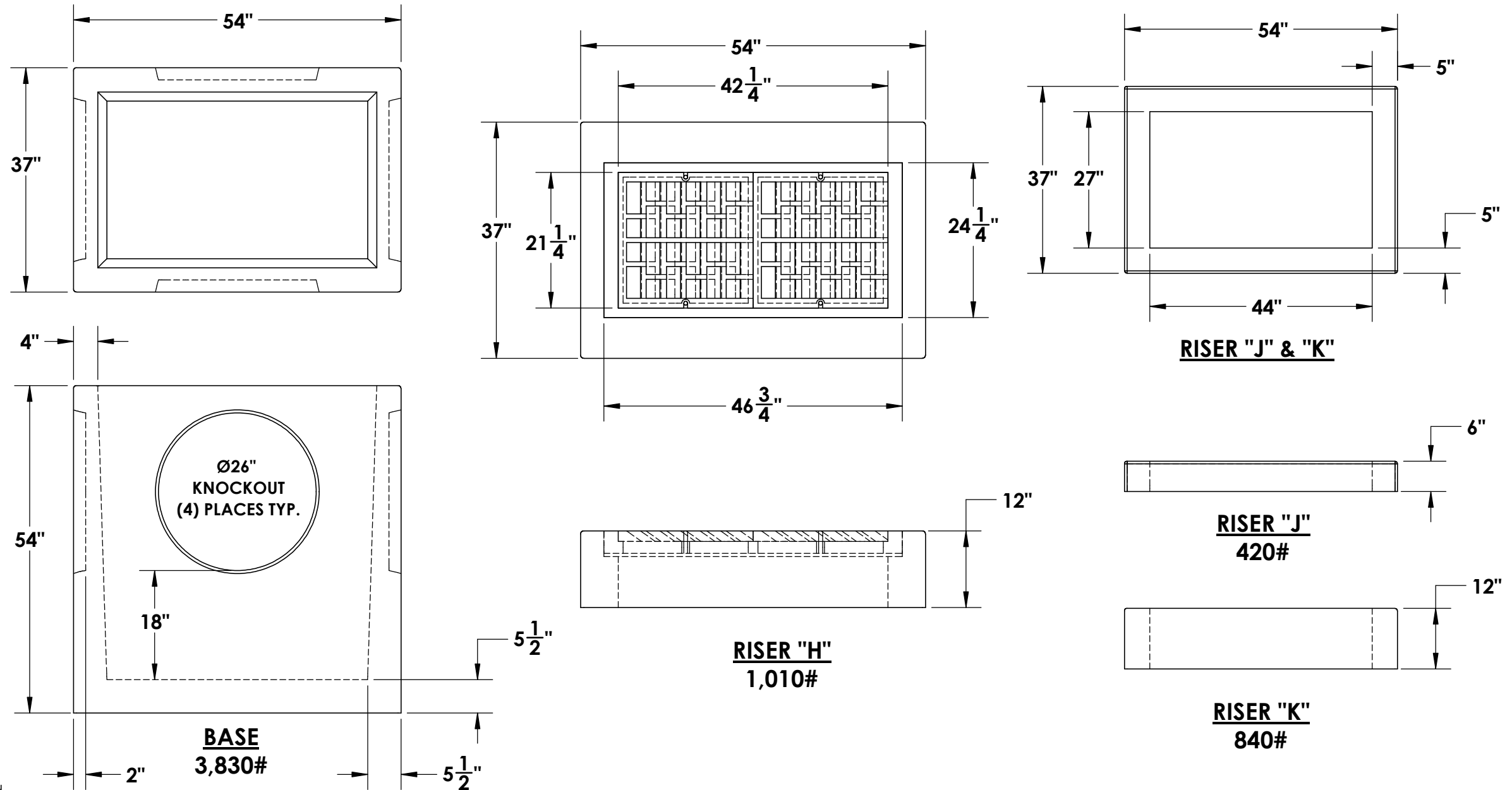
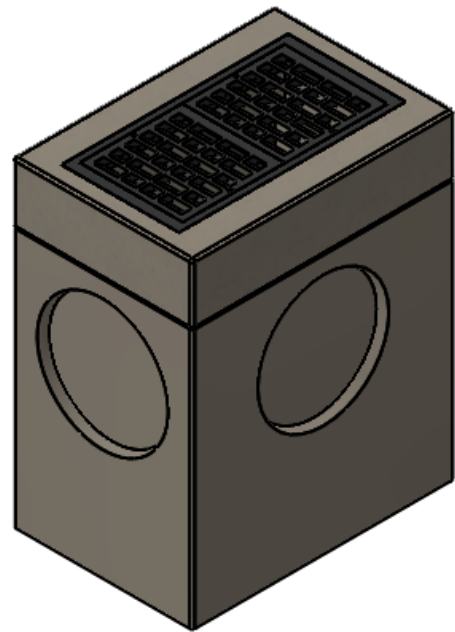


# TYPE 2 GRATE INLET



- \* **CONCRETE:**  
4,000 PSI MIN.
- \* **REINFORCMENT:**  
#3 GRADE 60 REBAR THROUGHOUT
- \* **SQUARE GRADE ADJUSTMENT RINGS:**  
AVAILABLE UPON REQUEST
- \* **GRATE:**  
AVAILABLE UPON REQUEST

~ ALL EXPOSED CONCRETE EDGES SHALL BE FINISHED WITH A 1/2" RADIUS

© INLAND NORTHWEST PRECAST 2018



## INLAND NORTHWEST PRECAST

5516 NORTH STARR RD PO BOX 610, NEWMAN LAKE, WA 99025 ~ (509) 226-5050

INLETS MEET OR EXCEED WSDOT STANDARD B-35.40 AND IS CONSTRUCTED IN ACCORDANCE WITH THE REQUIREMENTS OF ASTM C478, AASHTO M-199, & ASTM C443