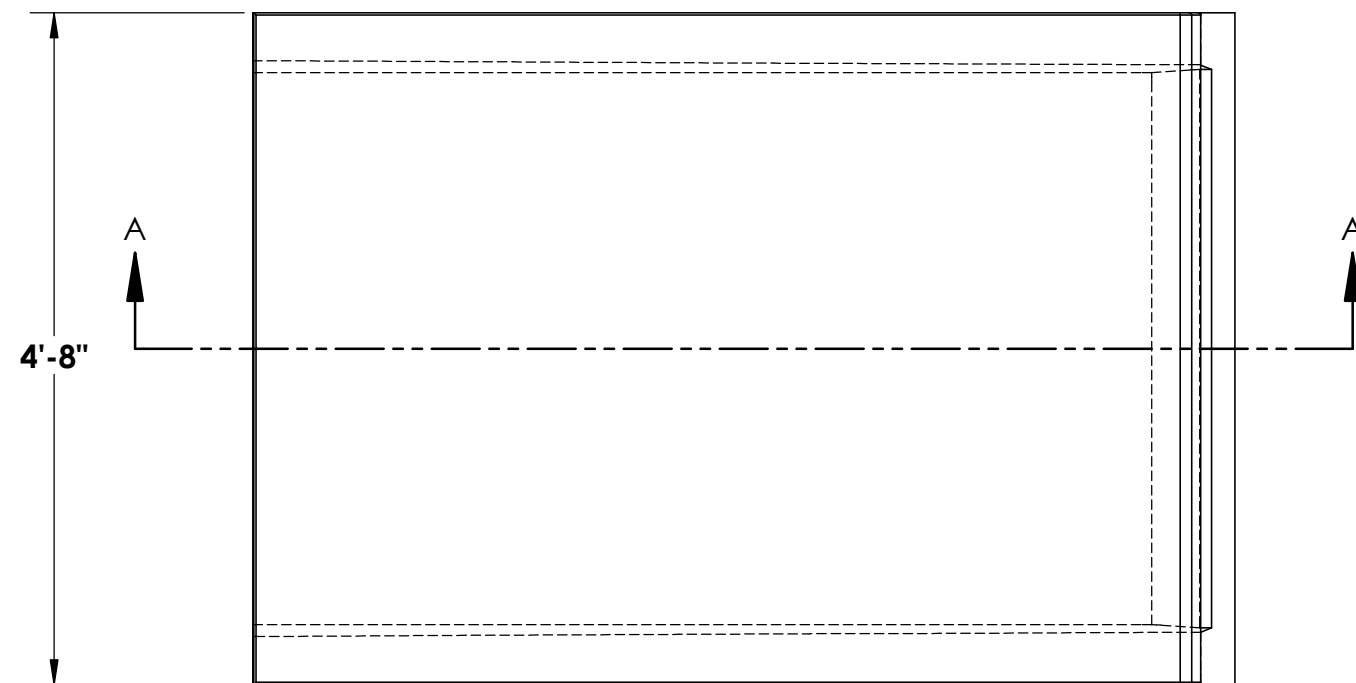
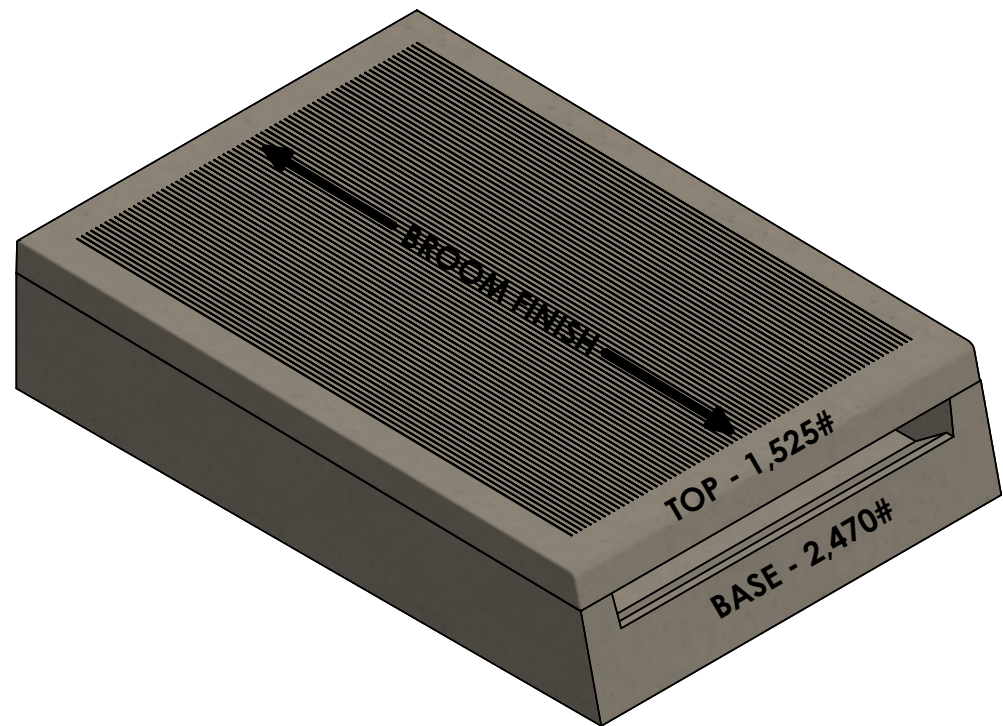


# TYPE 2 - SPECIAL CURB INLET

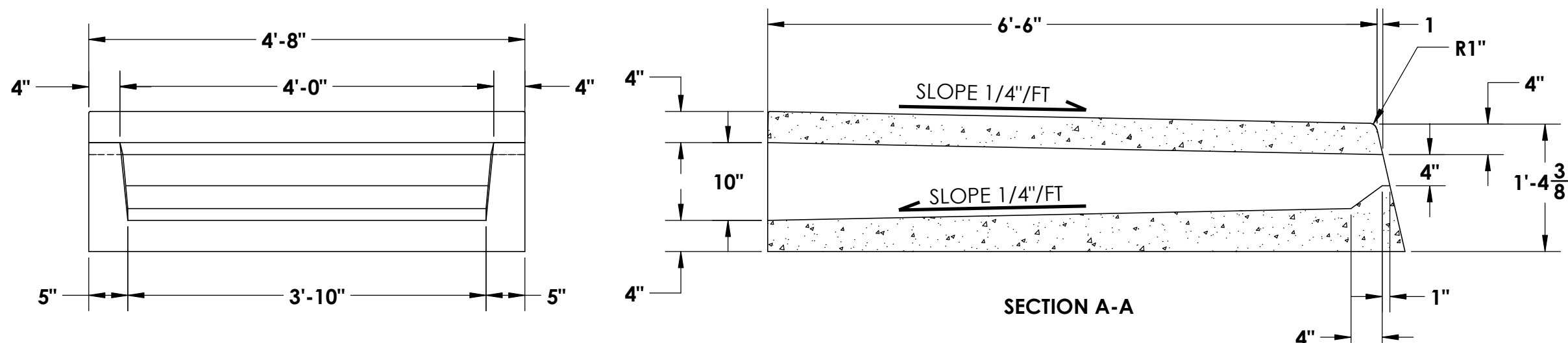


**CONCRETE:**  
4,000 PSI MIN. @ 28 DAYS

**REINFORCEMENT:**  
TOP #4 BAR @ 10" O.C.E.W.  
BOTTOM #4 BAR @ 10" O.C.E.W.

**NOTES:**  
ALL EXTERNAL EDGES NOT LABELED  
SHALL BE TROWELED WITH 1/4"  
RADIUS EDGER

**SIZES:**  
CAN VARY UPON REQUEST



© INLAND NORTHWEST PRECAST 2018



## INLAND NORTHWEST PRECAST

5516 NORTH STARR RD PO BOX 610, NEWMAN LAKE, WA 99025 (509) 226-5050

INLETS MEET OR EXCEED SPOKANE COUNTY STANDARD B-9 AND IS CONSTRUCTED IN ACCORDANCE WITH THE REQUIREMENTS OF ASTM C478 (AASHTO M 199), & ASTM C890