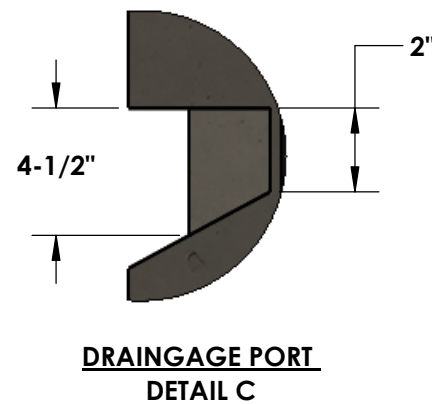
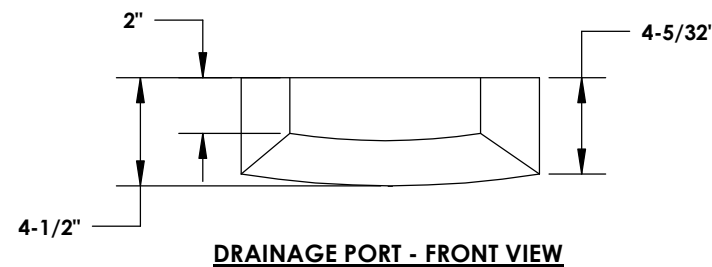
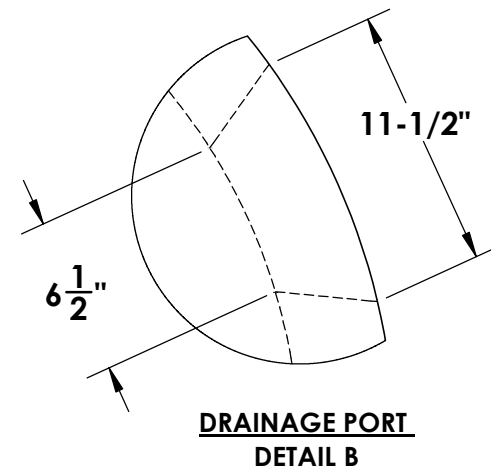
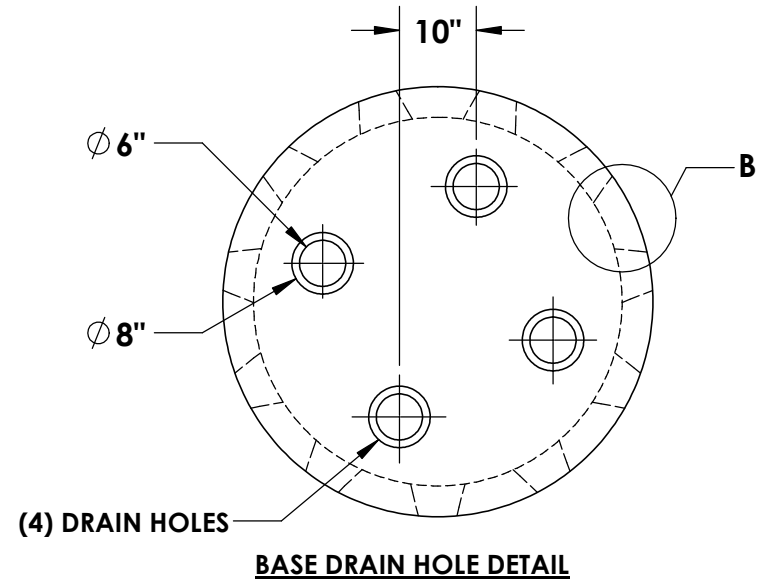
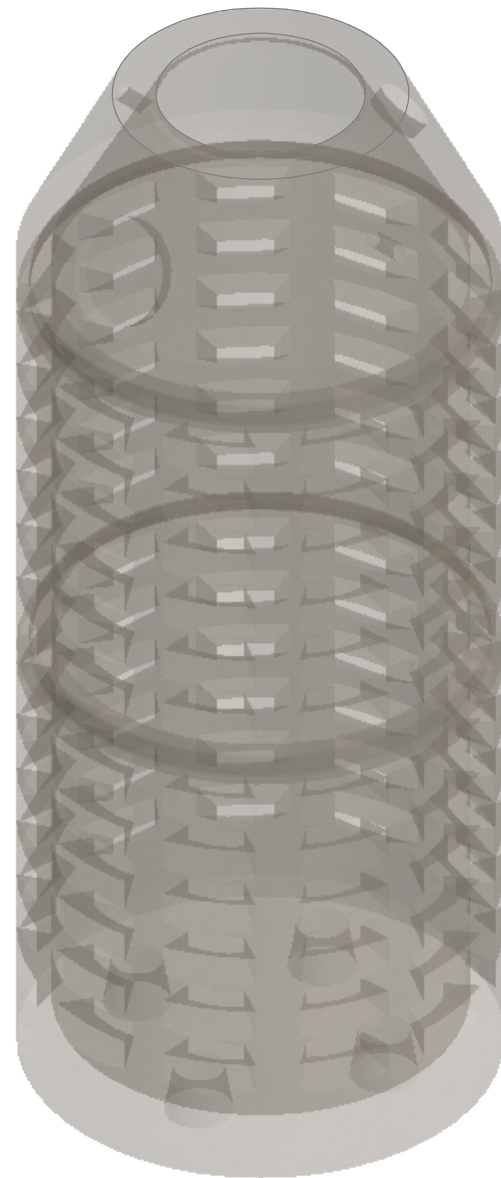


# Ø48" DRYWELL

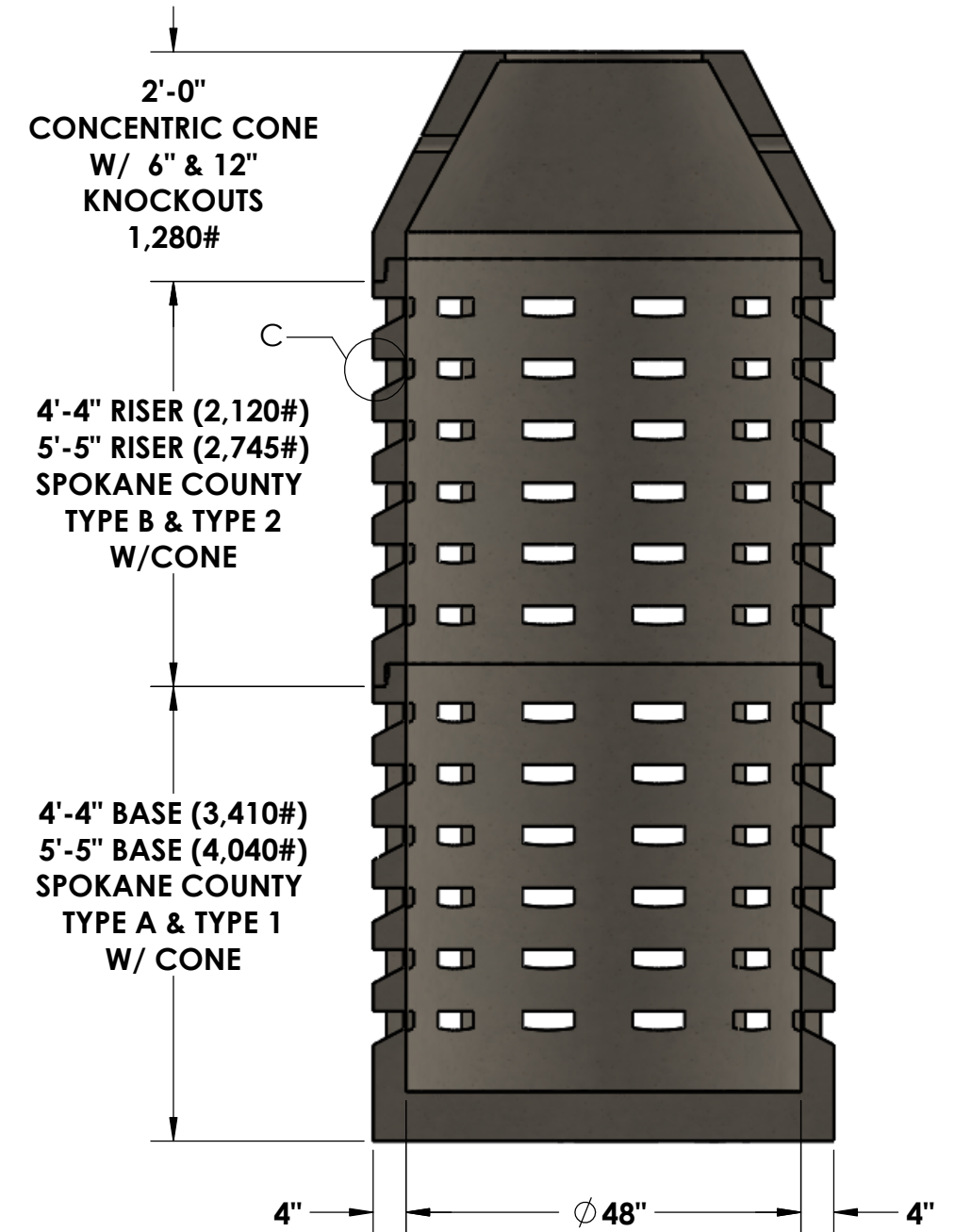


**CONCRETE:**  
4,000 PSI MIN. @ 28 DAYS

**ROUND ADJUSTMENT RINGS:**  
AVAILABLE UPON REQUEST

**CAST-IRON:**  
AVAILABLE UPON REQUEST

**REINFORCEMENT:**  
#4 GRADE 60 REBAR @ 10"  
EACH WAY



© INLAND NORTHWEST PRECAST 2018



## INLAND NORTHWEST PRECAST

5516 NORTH STARR RD PO BOX 610, NEWMAN LAKE, WA 99025 (509) 226-5050

DRYWELLS MEET OR EXCEED WSDOT STANDARD B-20.20 AND MEETS OR EXCEEDS SPOKANE COUNTY STANDARD B-1. IS CONSTRUCTED IN ACCORDANCE WITH THE REQUIREMENTS OF ASTM C478, AASHTO M-199, & ASTM C443