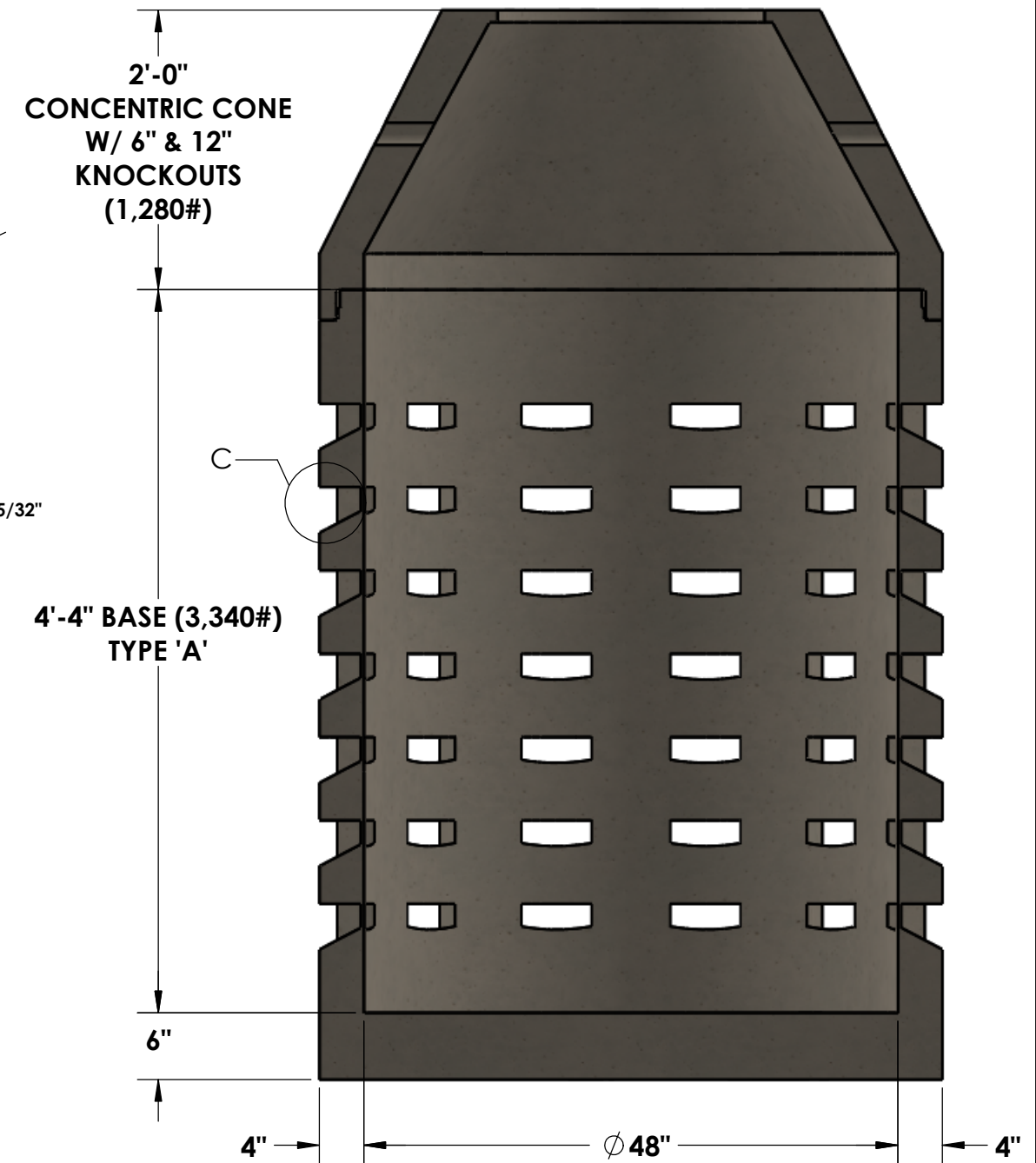
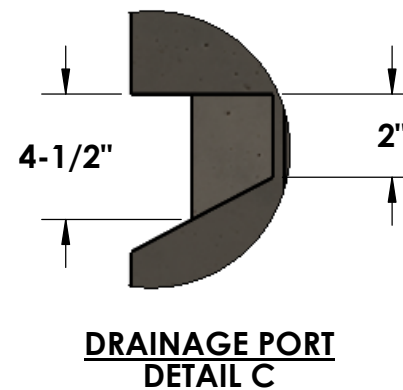
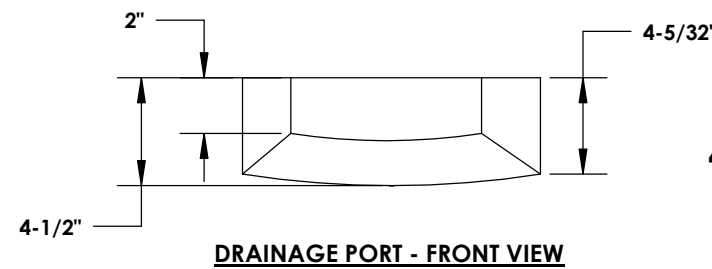
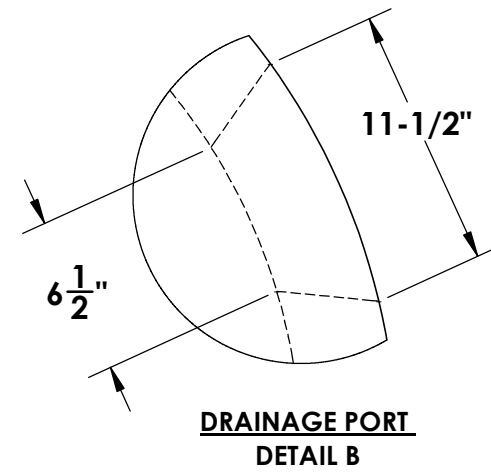
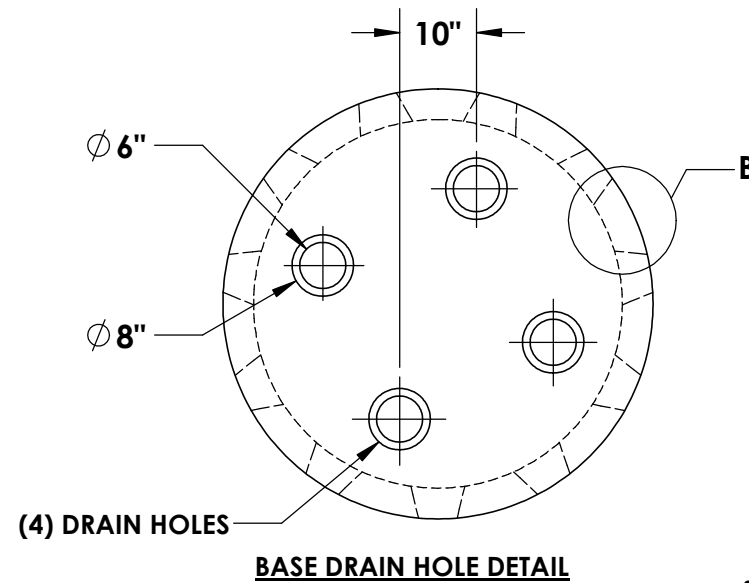


# Ø48" TYPE 'A' DRYWELL



**CONCRETE:**  
4,000 PSI MIN. @ 28 DAYS

**ROUND ADJUSTMENT RINGS:**  
AVAILABLE UPON REQUEST

**CAST-IRON:**  
AVAILABLE UPON REQUEST

**REINFORCEMENT:**  
AVAILABLE UPON REQUEST

© INLAND NORTHWEST PRECAST 2018



## INLAND NORTHWEST PRECAST

5516 NORTH STARR RD PO BOX 610, NEWMAN LAKE, WA 99025 (509) 226-5050

DRYWELLS MEET OR EXCEED WSDOT STANDARD B-20.20 AND MEETS OR EXCEEDS SPOKANE COUNTY STANDARD B-1, B-2, B-3 & IS CONSTRUCTED IN ACCORDANCE WITH THE REQUIREMENTS OF ASTM C478, AASHTO M-199, & ASTM C443