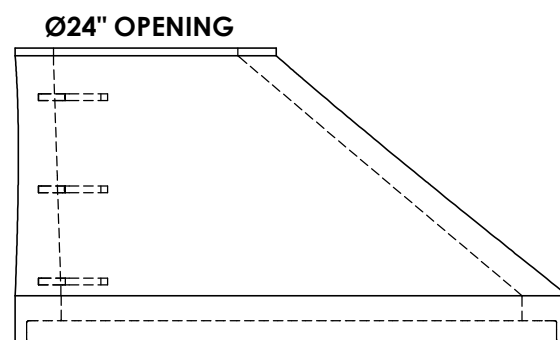
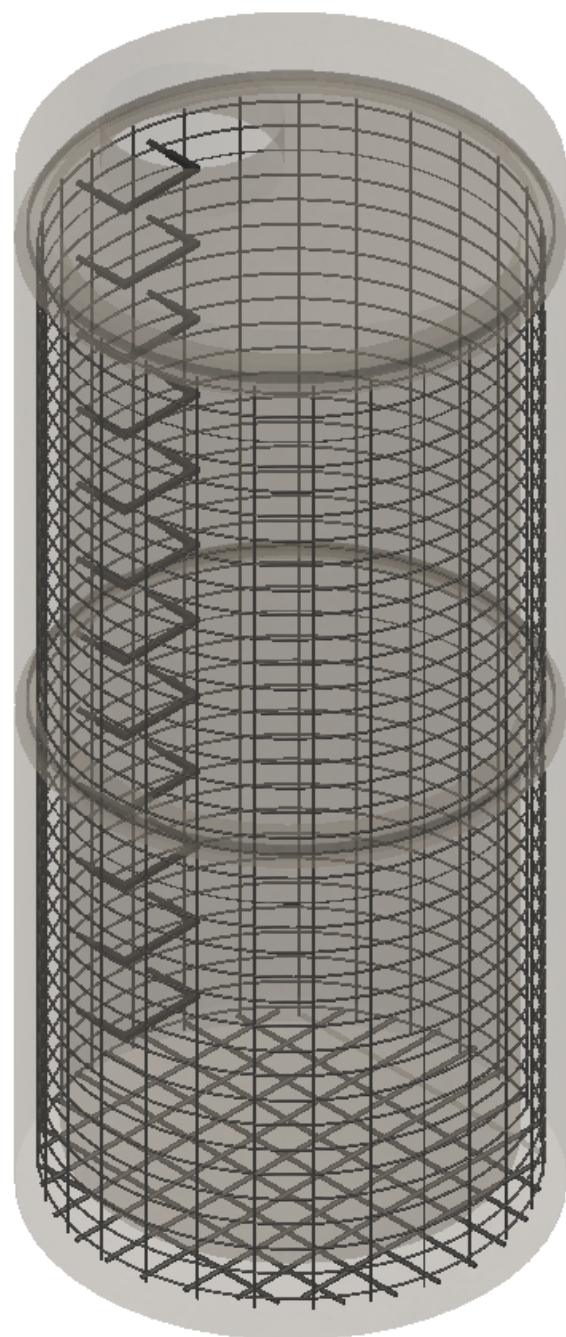
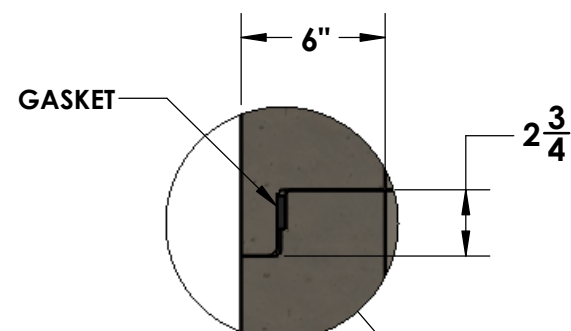


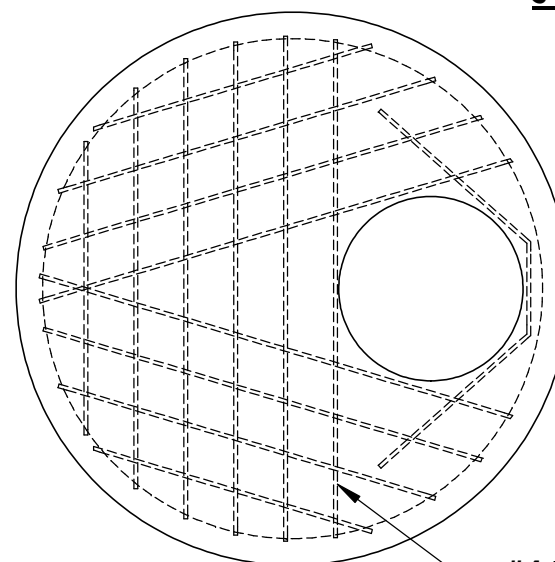
Ø60" MANHOLE



ECCENTRIC CONE
2,600#



JOINT DETAIL



#4 BARS @ 6" SPACING

CONCRETE:
4,000 PSI MIN. @ 28 DAYS

ROUND ADJUSTMENT RINGS:
AVAILABLE UPON REQUEST

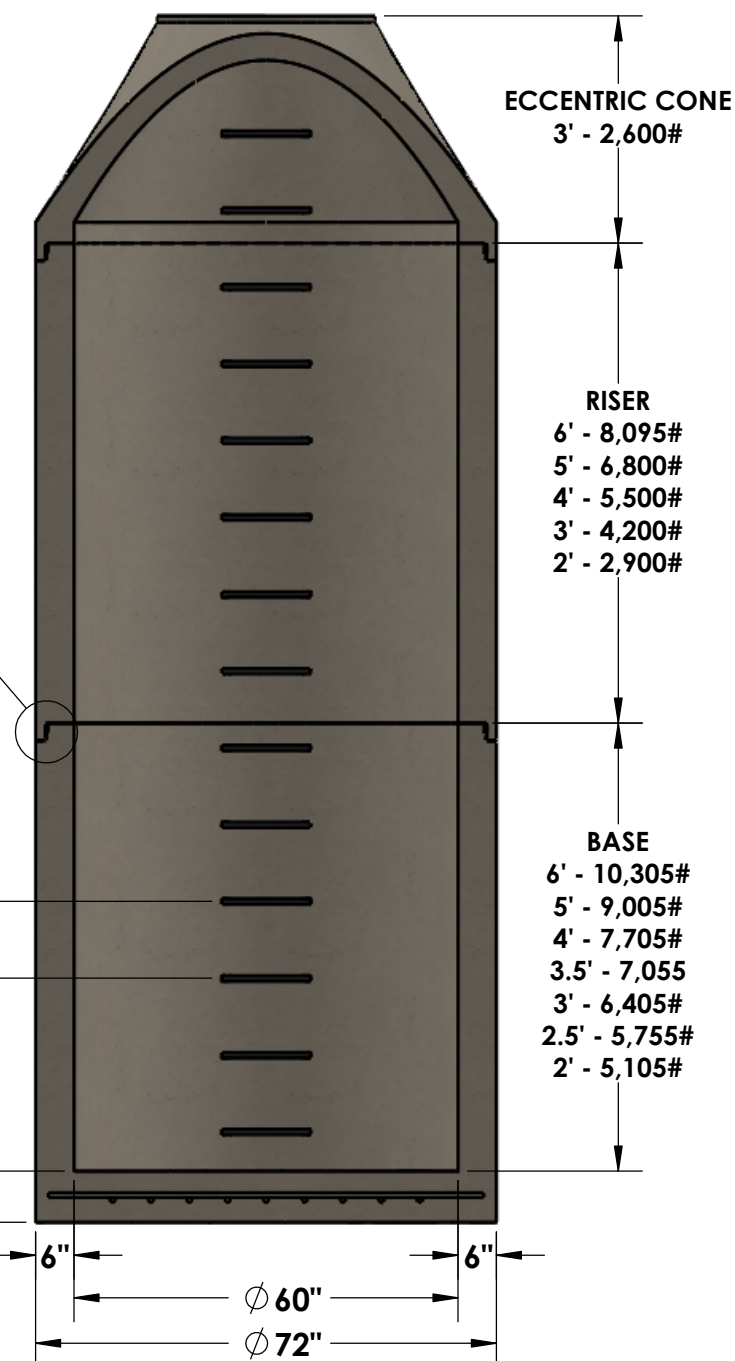
CAST-IRON
AVAILABLE UPON REQUEST

PRECAST CHANNELS:
AVAILABLE UPON REQUEST

STEPS
1'-0"



FLAT SLAB TOP
2,690#



© INLAND NORTHWEST PRECAST 2018



INLAND NORTHWEST PRECAST

5516 NORTH STARR RD PO BOX 610, NEWMAN LAKE, WA 99025 (509) 226-5050

MANHOLES MEET OR EXCEED WSDOT STANDARD B-15.20 AND IS CONSTRUCTED IN ACCORDANCE WITH THE REQUIREMENTS OF ASTM C478, AASHTO M-199, & ASTM C443