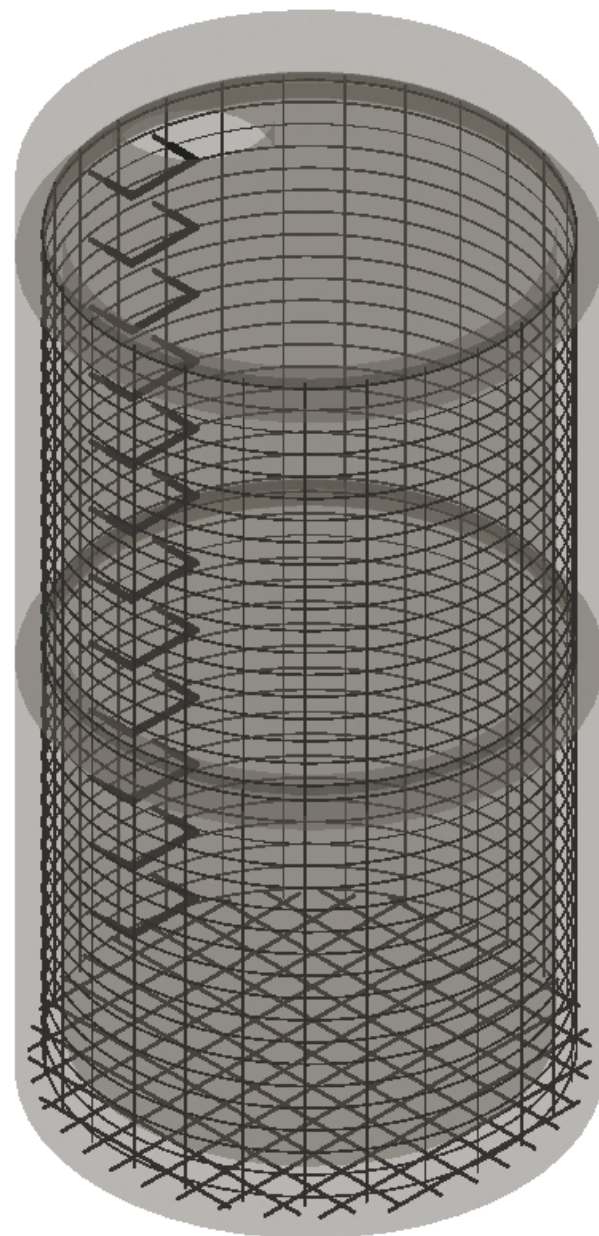


# Ø72" MANHOLE



**CONCRETE:**

4,000 PSI MIN. @ 28 DAYS

**ROUND ADJUSTMENT RINGS:**

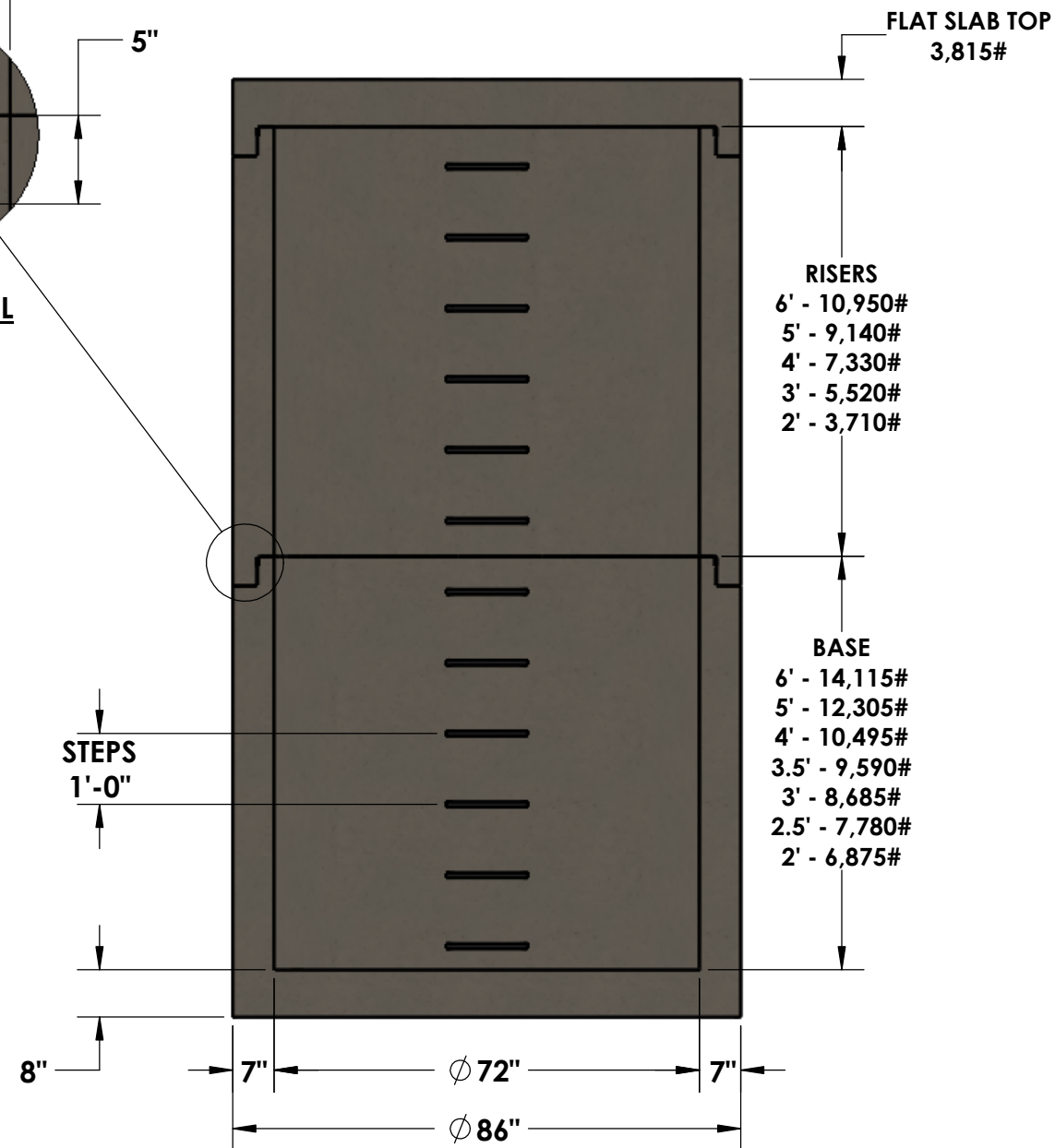
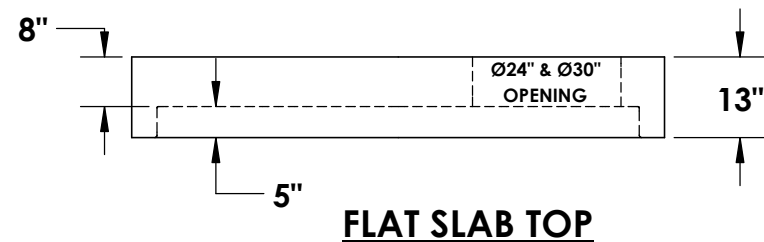
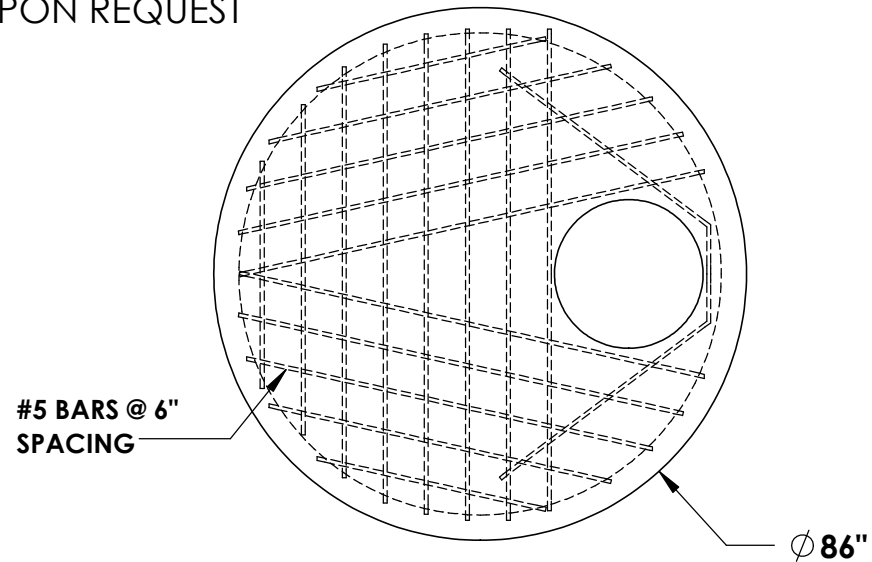
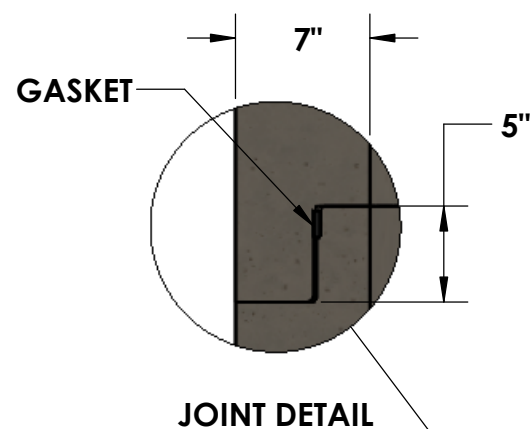
AVAILABLE UPON REQUEST

**CAST-IRON:**

AVAILABLE UPON REQUEST

**PRECAST CHANNELS:**

AVAILABLE UPON REQUEST



© INLAND NORTHWEST PRECAST 2018



## INLAND NORTH WEST PRECAST

5516 NORTH STARR RD PO BOX 610, NEWMAN LAKE, WA 99025 (509) 226-5050

MANHOLES MEET OR EXCEED WSDOT STANDARD B-15.20 AND IS CONSTRUCTED IN ACCORDANCE WITH THE REQUIREMENTS OF ASTM C478, AASHTO M-199, & ASTM C443