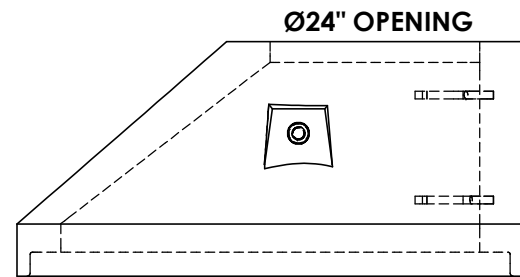
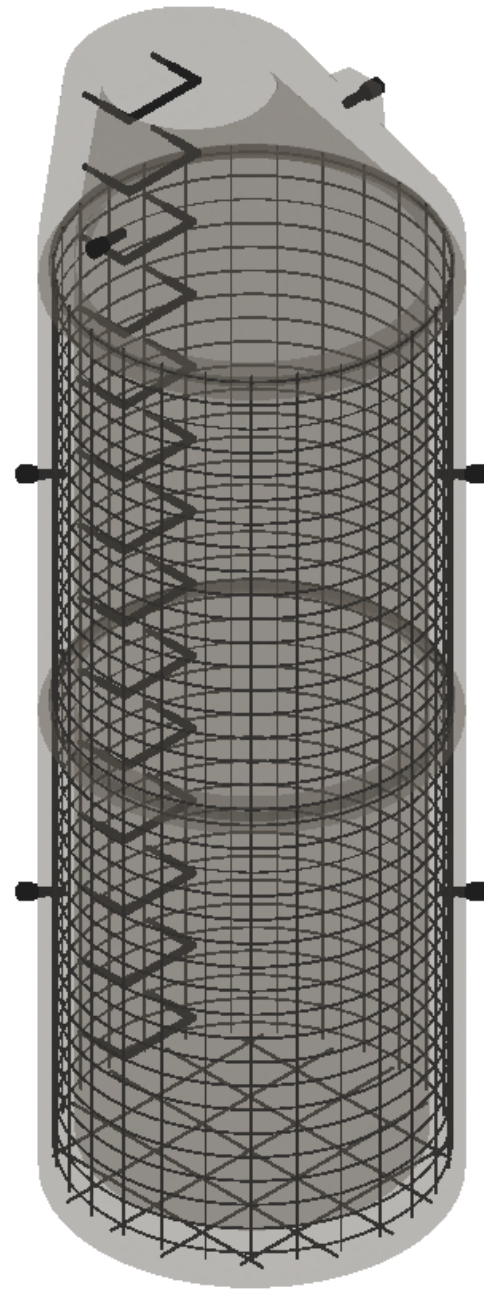
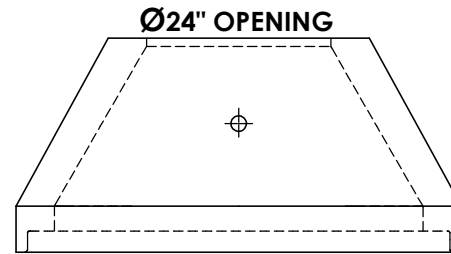


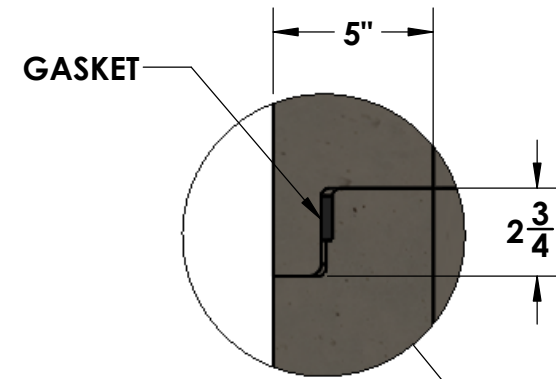
# Ø48" MANHOLE



**ECCENTRIC CONE**  
3' - 2,200#  
2' - 1,600#

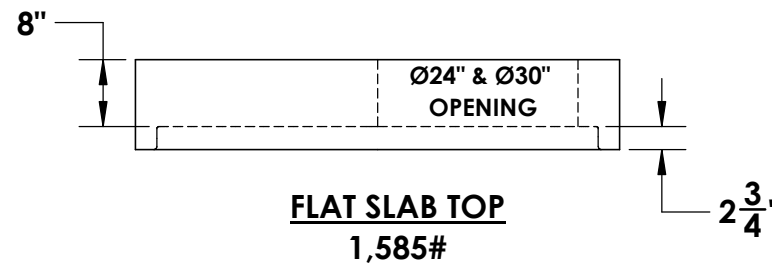
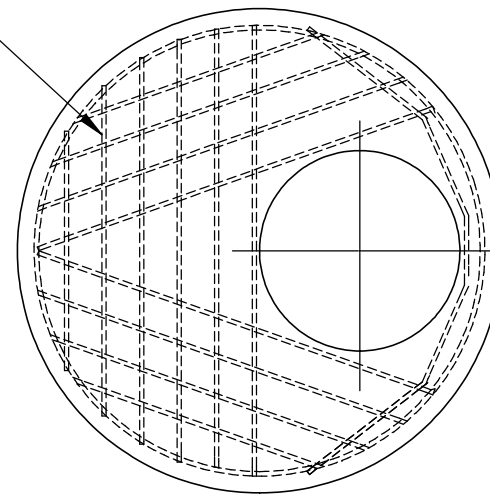


**CONCENTRIC CONE**  
3' - 2,025#  
\* 2' CONCENTRIC DRYWELL  
CONE w/ 4" WALLS AVAILABLE

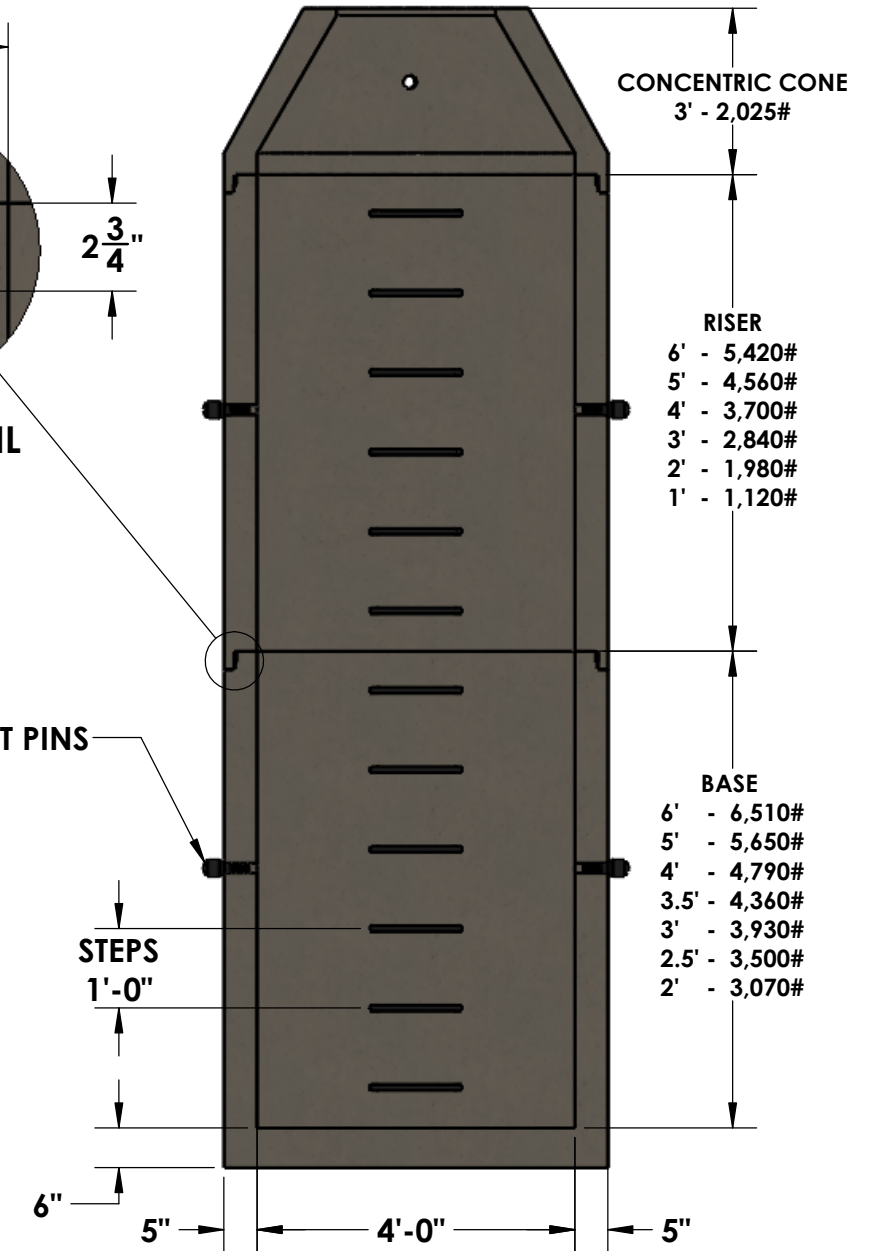


**JOINT DETAIL**

#4 BARS@ 6"  
SPACING



**FLAT SLAB TOP**  
1,585#



**CONCRETE:**  
4,000 PSI MIN. @ 28 DAYS

**ROUND ADJUSTMENT RINGS:**  
AVAILABLE UPON REQUEST

**CAST-IRON:**  
AVAILABLE UPON REQUEST

**PRECAST CHANNELS:**  
AVAILABLE UPON REQUEST

© INLAND NORTHWEST PRECAST 2018



# INLAND NORTHWEST PRECAST

5516 NORTH STARR RD PO BOX 610, NEWMAN LAKE, WA 99025 (509) 226-5050

MANHOLES MEET OR EXCEED WSDOT STANDARD B-15.20 AND IS CONSTRUCTED IN ACCORDANCE WITH THE REQUIREMENTS OF ASTM C478, AASHTO M-199, & ASTM C443