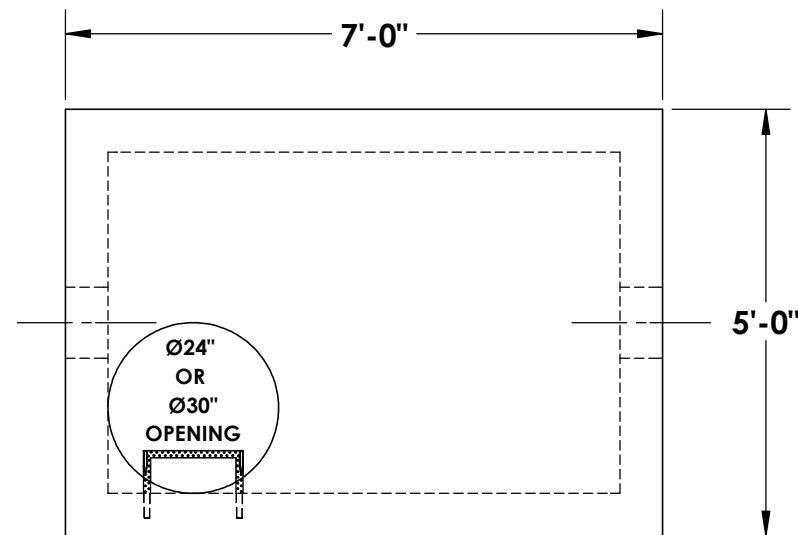


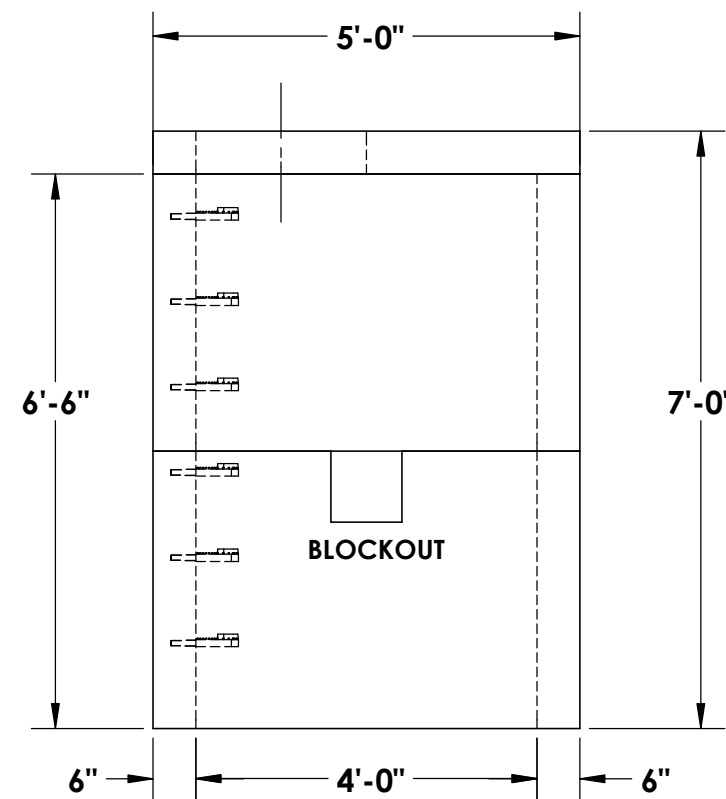
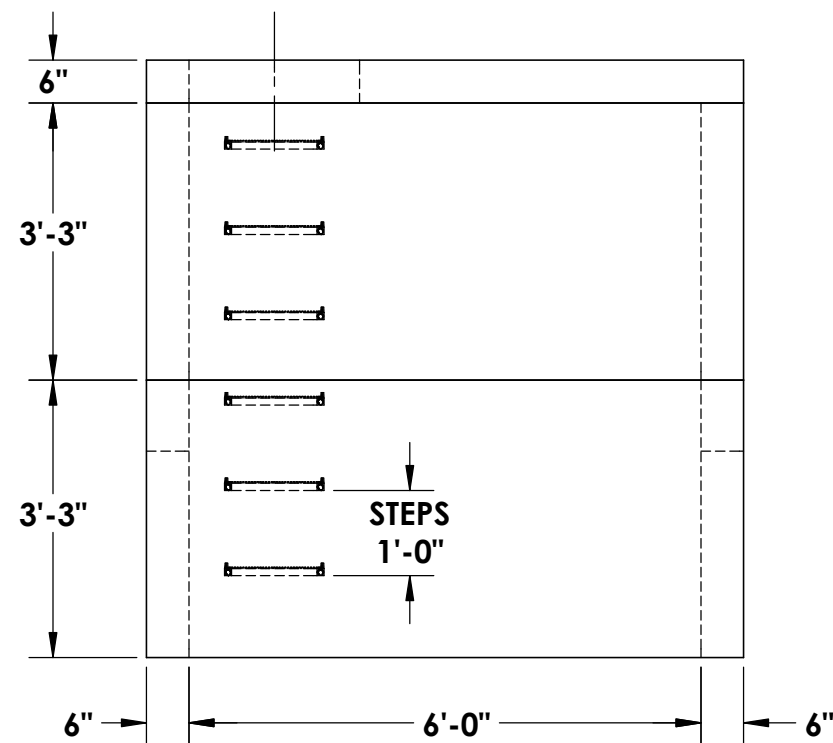
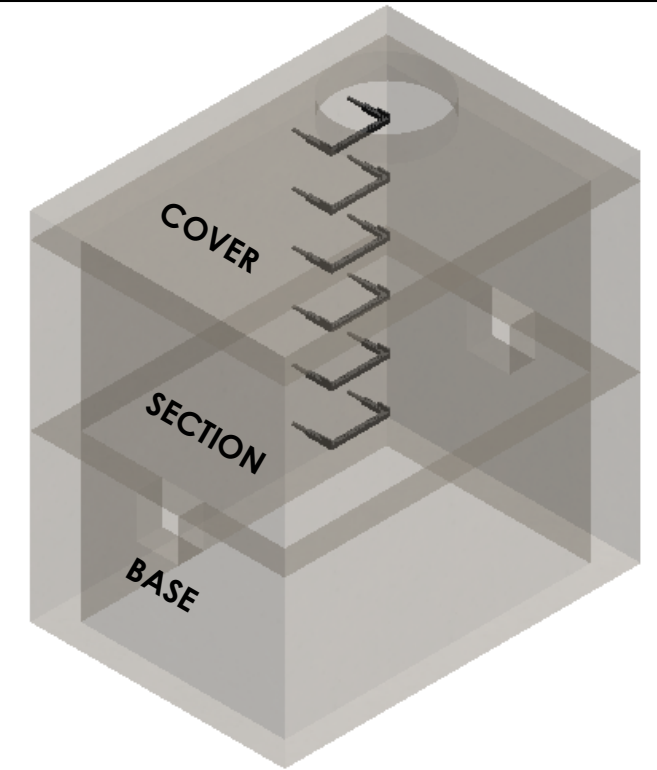
# 4'x6' UTILITY VAULT



~ COVER  
2,390# (0.59 CU/YDS)

~ SECTION  
5,360# (1.32 CU/YDS)

~ BASE  
5,260# (1.30 CU/YDS)



**CONCRETE:**  
4,000 PSI MINIMUM

**REINFORCEMENT:**  
#4 BAR @ 12" O.C.E.W. THROUGHOUT

**BLOCKOUT:**  
SIZES AVAILABLE UPON REQUEST

**\*COVER AVAILABLE IN TRAFFIC RATED (8" THICK)**

© INLAND NORTHWEST PRECAST



## INLAND NORTH WEST PRECAST

5516 NORTH STARR RD PO BOX 610, NEWMAN LAKE, WA 99025 (509) 226-5050



ALL UTILITY VAULTS MEET AND ARE CONSTRUCTED IN ACCORDANCE WITH ASTM C858