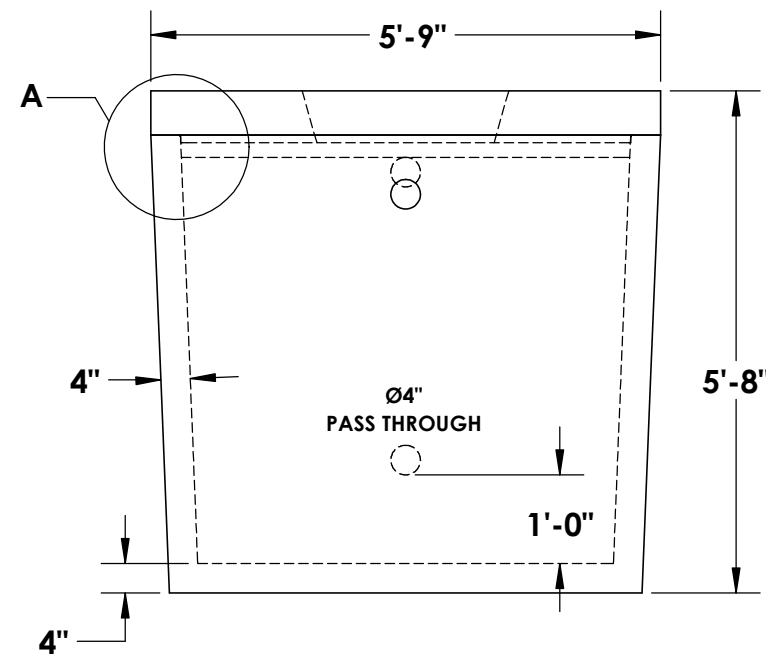
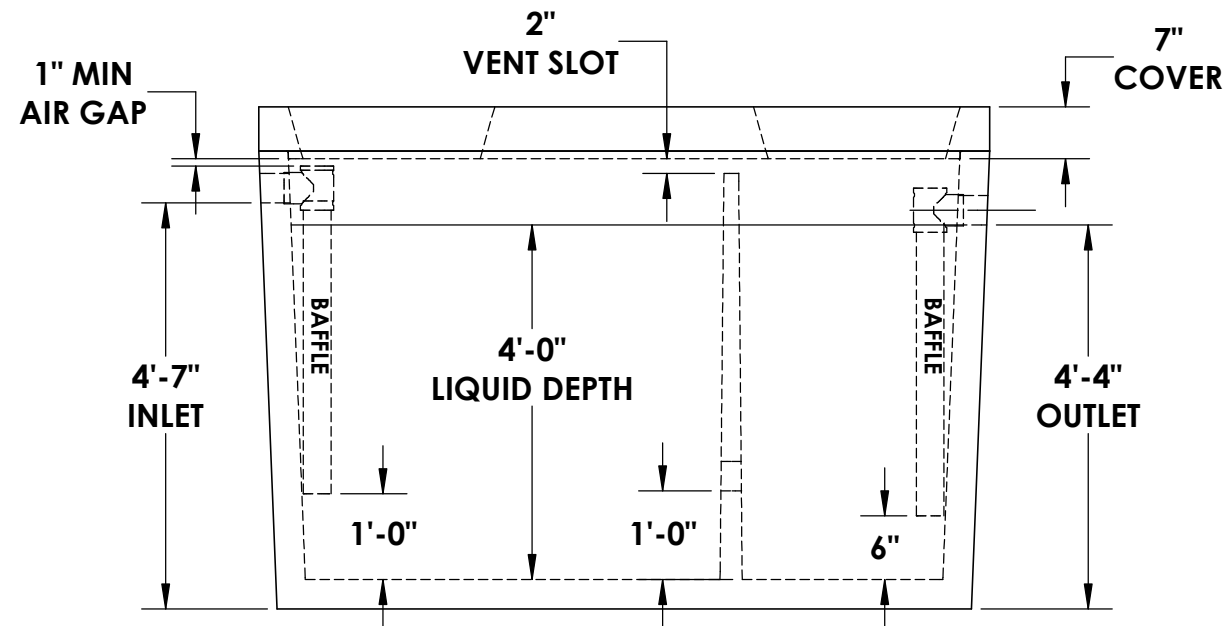
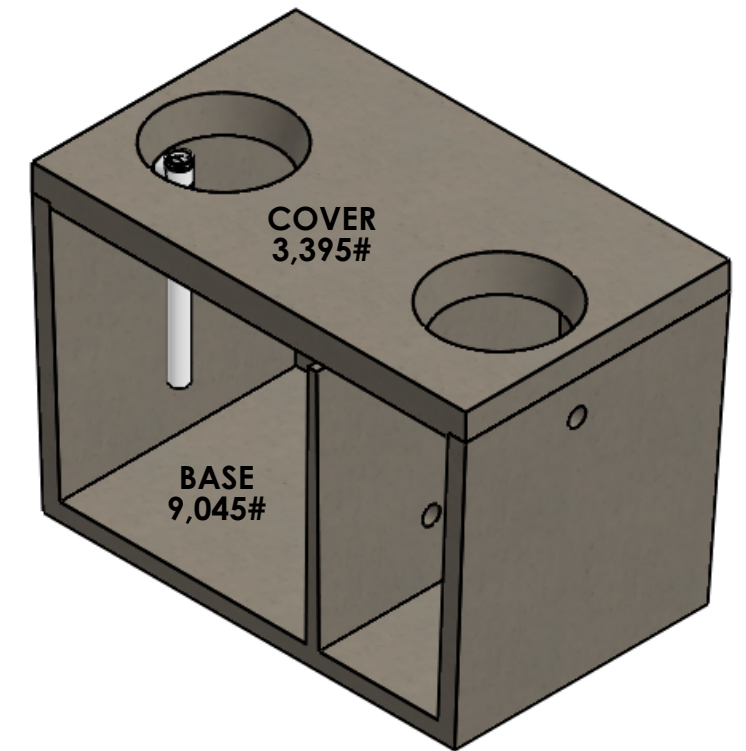
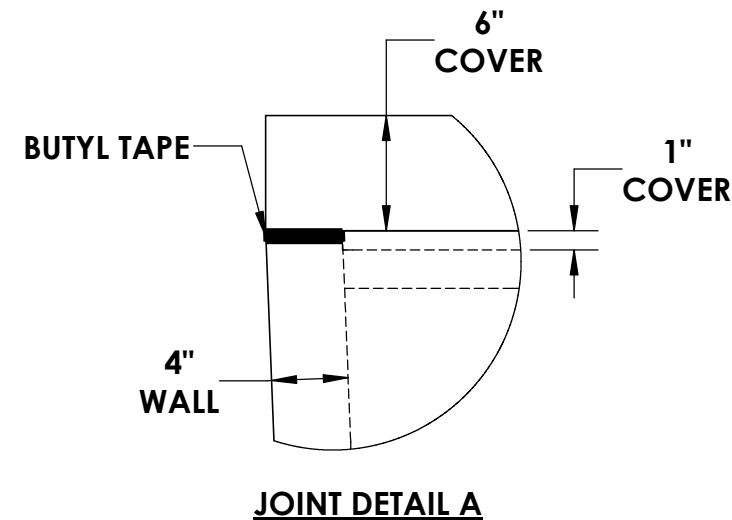
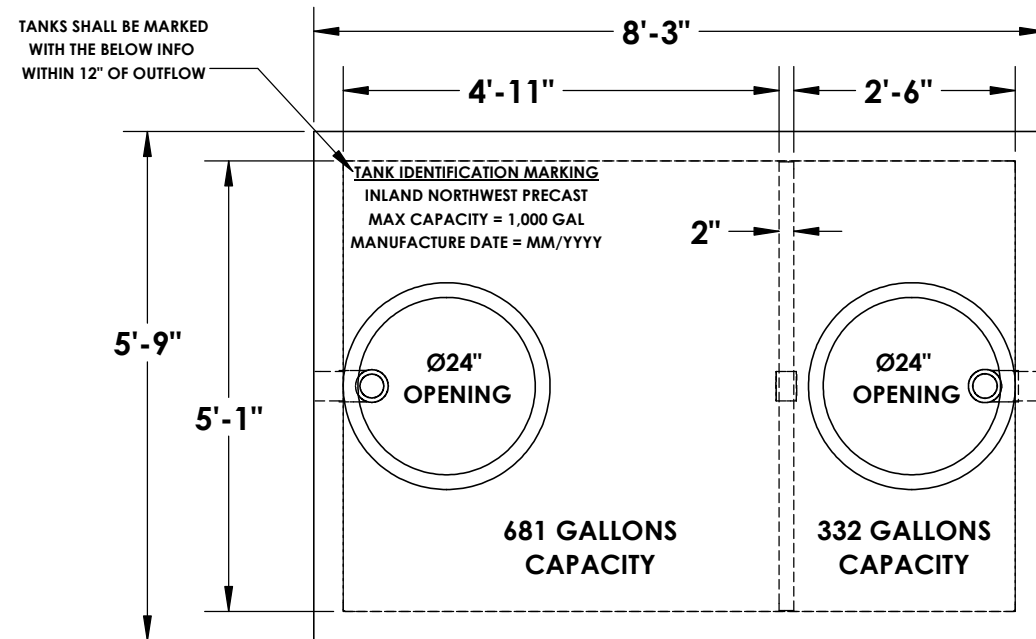


1000 GALLON DOUBLE COMPARTMENT OIL/WATER SEPARATOR - TRAFFIC RATED



* **CONCRETE:**
 4,000 PSI MINIMUM

* **RISER/FLANGE ADAPTERS:**
 AVAILABLE UPON REQUEST

NOTES:

- ~ BEDDING MUST BE COMPACTED AND AREA AROUND TANK MUST BE BACKFILLED PRIOR TO PUTTING INTO SERVICE
- ~ Ø4" PRESS SEAL BOOTS PROVIDED AT INLET & OUTLET
- ~ STRUCTURAL ENGINEERING CALCULATIONS AVAILABLE UPON REQUEST
- ~ 2-1/2" TAPER FROM TOP TO BOTTOM OF TANK

© INLAND NORTHWEST PRECAST



Inland NorthWest Precast



5516 NORTH STARR RD PO BOX 610, NEWMAN LAKE, WA 99025 ~ (509) 226-5050 ~ www.inwprecast.com

REINFORCEMENT:

COVER:

- ~ TRANSVERSE #4 @ 6"
- ~ LONGITUDINAL #4 @ 1'-0"

BASE WALLS:

- ~ 4x4W4xW4 WIRE MESH IN WALLS

BASE FLOOR:

- ~ TRANSVERSE #4 @ 9"
- ~ LOGITUDINAL #4 @ 1'-0"

* ALL TANKS ARE MADE IN ACCORDANCE WITH ASTM C1227 - 13 (STANDARD SPECIFICATION FOR PRECAST CONCRETE SEPTIC TANKS)