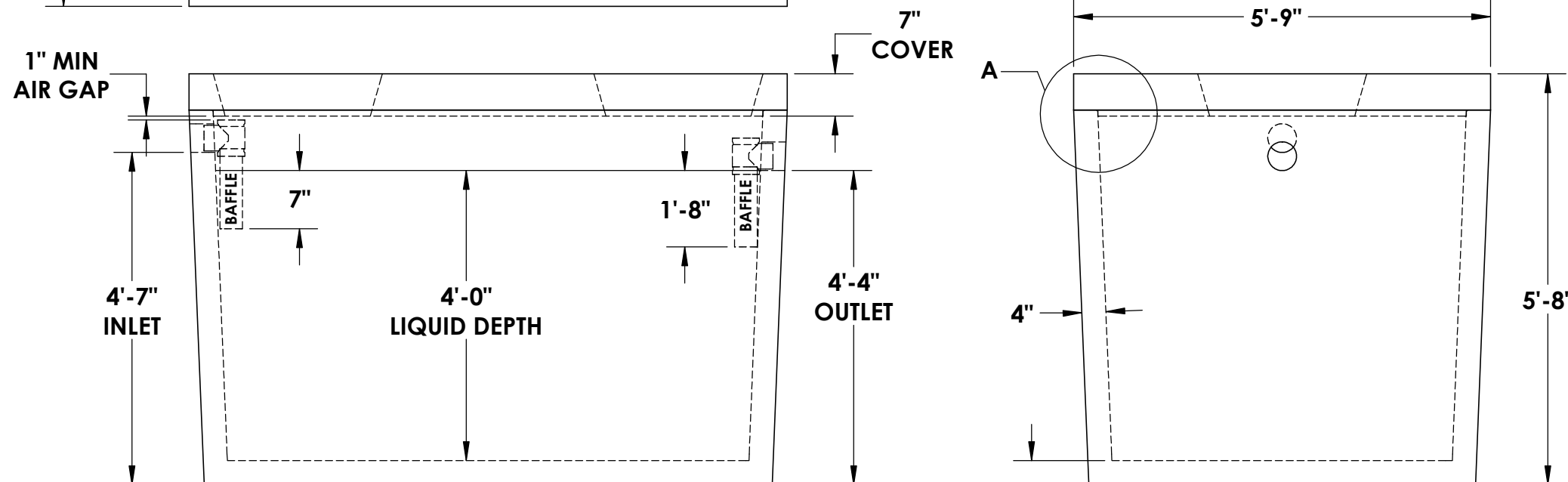
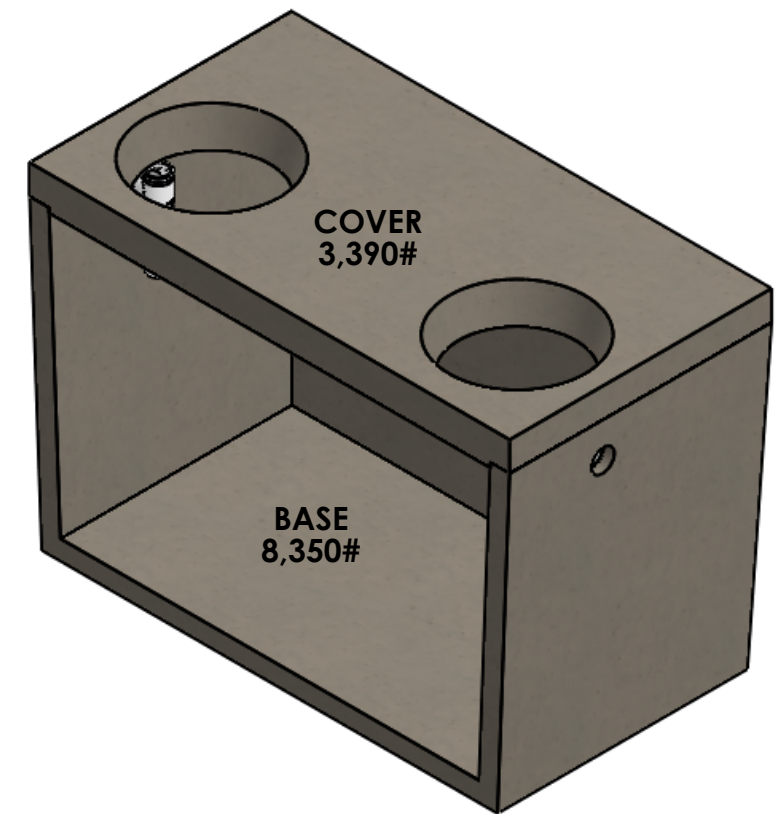
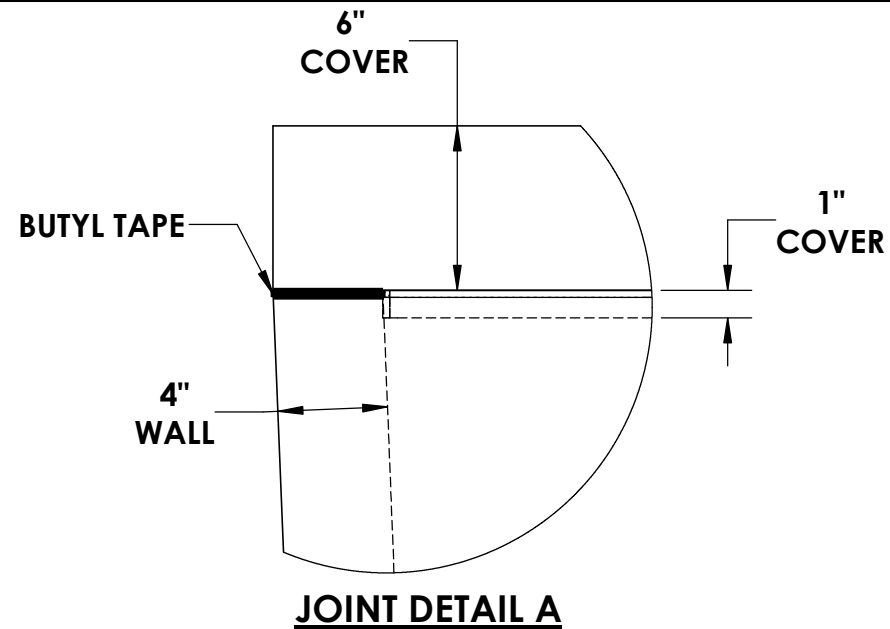
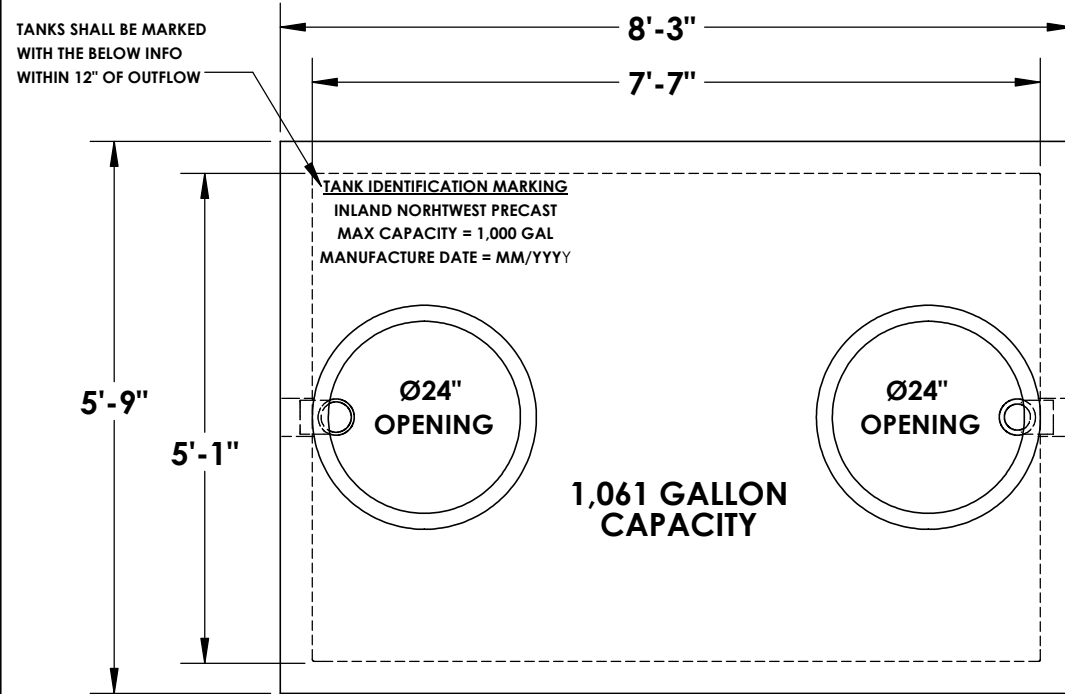


1000 GALLON SINGLE COMPARTMENT SEPTIC TANK - TRAFFIC RATED



* CONCRETE:
4,000 PSI MINIMUM

* RISER/FLANGE ADAPTERS:
AVAILABLE UPON REQUEST

NOTES:
~ BEDDING MUST BE COMPACTED AND AREA AROUND TANK MUST BE BACKFILLED PRIOR TO PUTTING INTO SERVICE
~ PRESS SEAL BOOTS PROVIDED AT INLET & OUTLET
~ STRUCTURAL ENGINEERING CALCULATIONS AVAILABLE UPON REQUEST
~ 2-1/2" TAPER FROM TOP TO BOTTOM OF TANK

© INLAND NORTHWEST PRECAST 2018



INLAND NORTHWEST PRECAST



5516 NORTH STARR RD PO BOX 610, NEWMAN LAKE, WA 99025 ~ (509) 226-5050 ~ www.inwprecast.com

REINFORCEMENT

COVER:
~ TRANSVERSE #4 @ 6"
~ LONGITUDINAL #4 @ 1'-0"

BASE WALLS:
~ 4x4W4xW4 WIRE MESH IN WALLS

BASE FLOOR:
~ TRANSVERSE #4 @ 9"
~ LONGITUDINAL #4 @ 1'-0"

* ALL TANKS ARE MADE IN ACCORDANCE WITH ASTM C1227 - 13 (STANDARD SPECIFICATION FOR PRECAST CONCRETE SEPTIC TANKS)