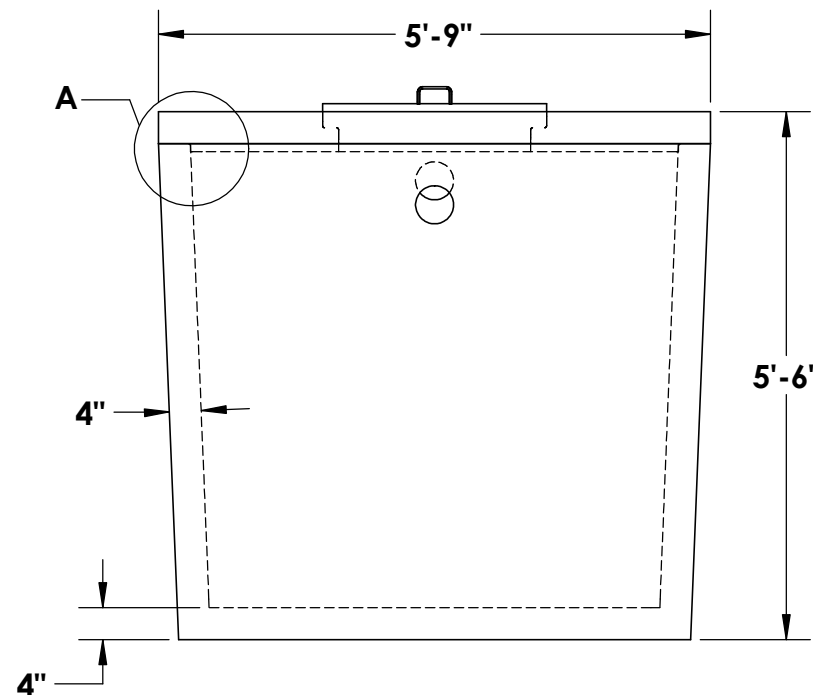
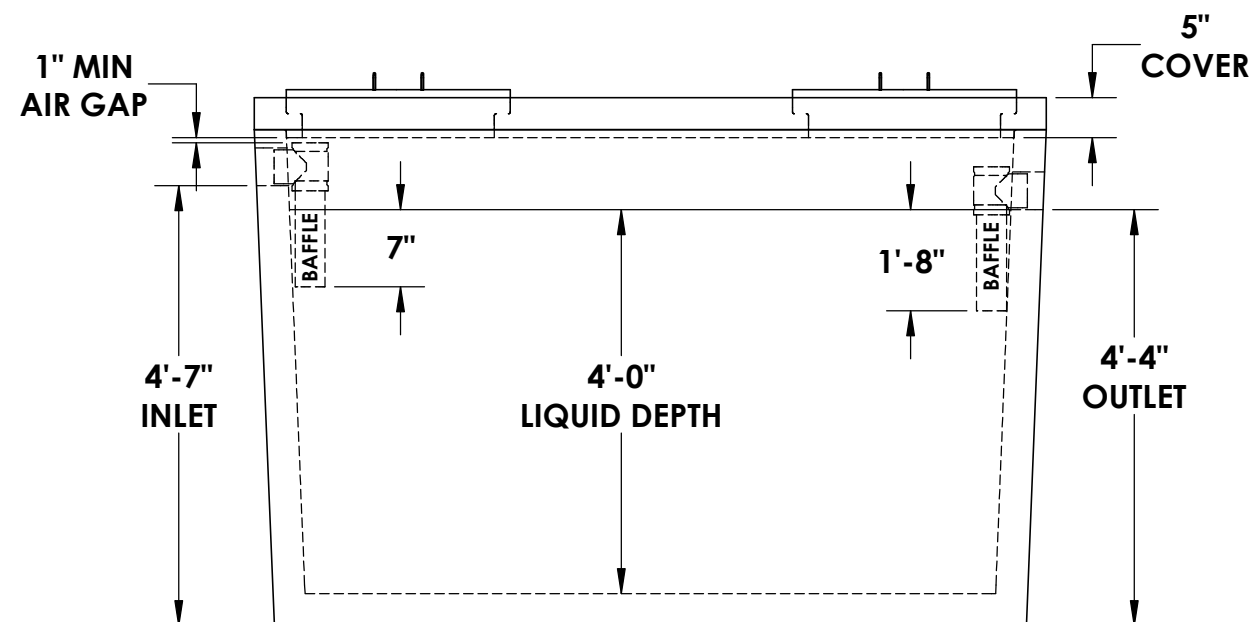
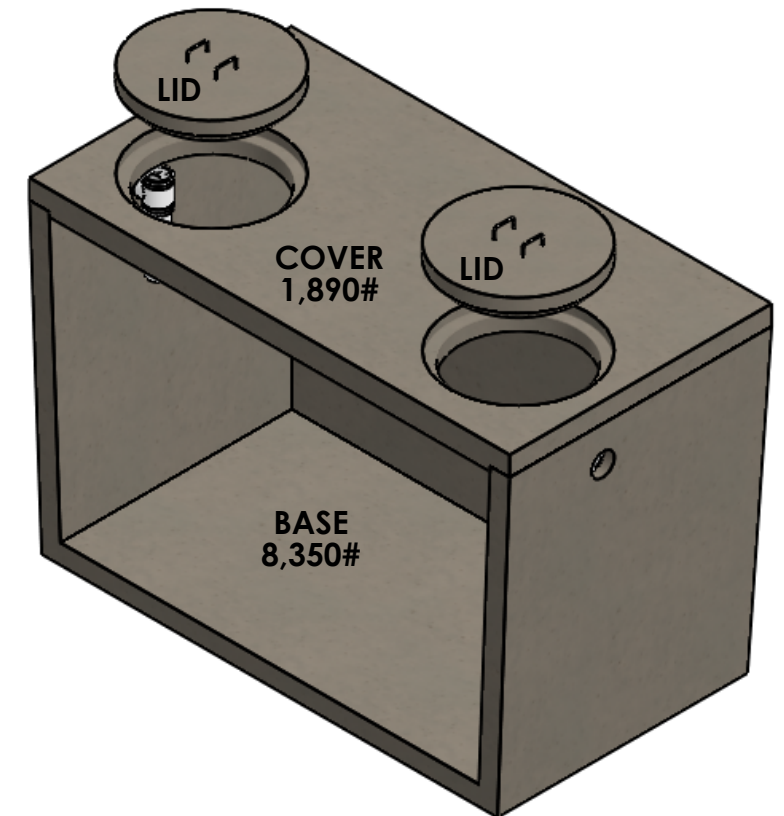
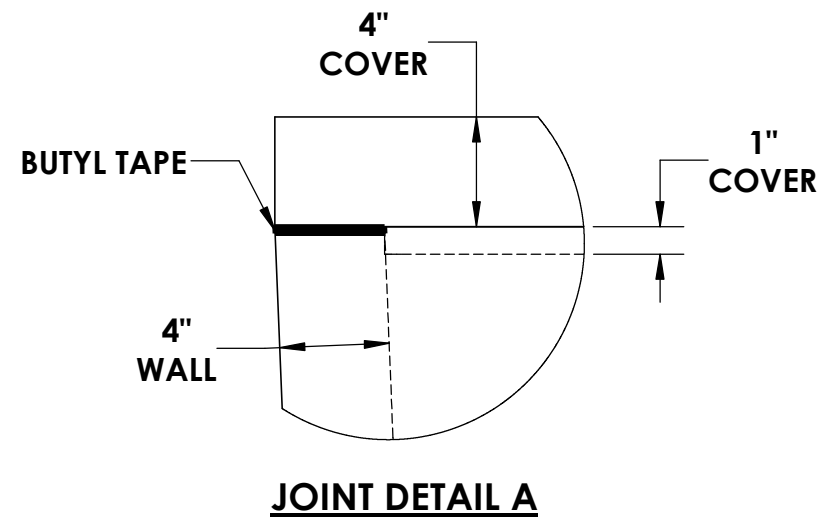
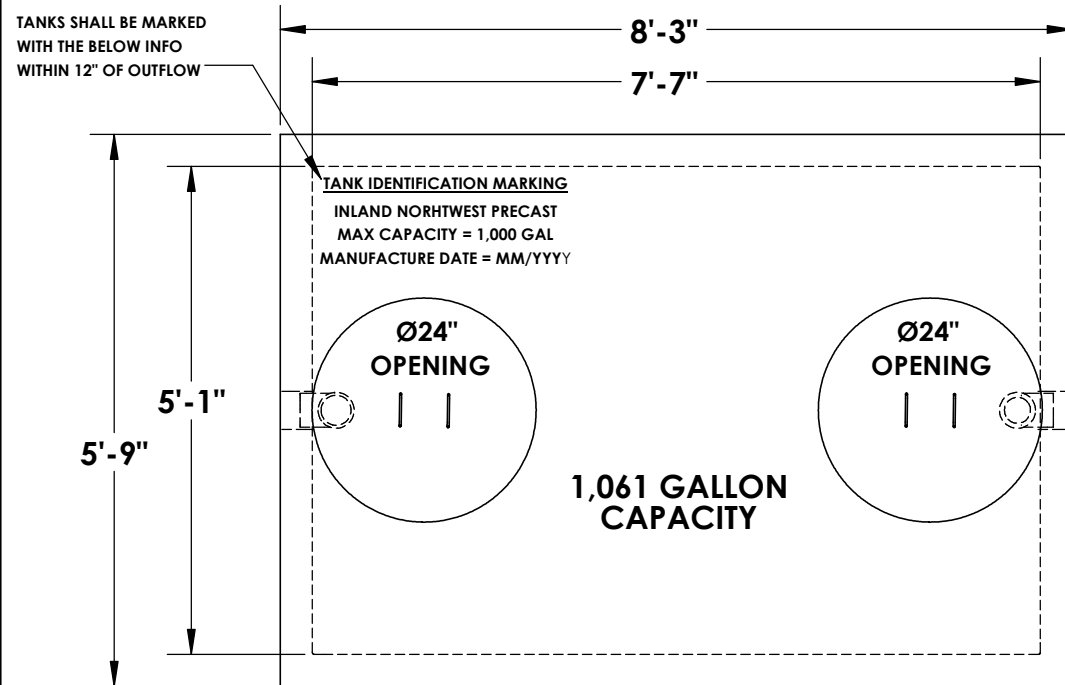


# 1000 GALLON SINGLE COMPARTMENT SEPTIC TANK



\* **CONCRETE:**  
4,000 PSI MINIMUM

\* **RISER/FLANGE ADAPTERS:**  
AVAILABLE UPON REQUEST

**NOTES:**

- ~ BEDDING MUST BE COMPACTED AND AREA AROUND TANK MUST BE BACKFILLED PRIOR TO PUTTING INTO SERVICE
- ~ PRESS SEAL BOOTS PROVIDED AT INLET & OUTLET
- ~ STRUCTURAL ENGINEERING CALCULATIONS AVAILABLE UPON REQUEST
- ~ 2-1/2" TAPER FROM TOP TO BOTTOM OF TANK

© INLAND NORTHWEST PRECAST 2018



## INLAND NORTHWEST PRECAST



5516 NORTH STARR RD PO BOX 610, NEWMAN LAKE, WA 99025 ~ (509) 226-5050 ~ [www.inwprecast.com](http://www.inwprecast.com)

**REINFORCEMENT**

**COVER:**

- ~ TRANSVERSE #4 @ 6"
- ~ LONGITUDINAL #4 @ 1'-0"

**BASE WALLS:**

- ~ 4x4W4xW4 WIRE MESH IN WALLS

**BASE FLOOR:**

- ~ TRANSVERSE #4 @ 9"
- ~ LOGITUDINAL #4 @ 1'-0"

\*ALL TANKS ARE MADE IN ACCORDANCE WITH ASTM C1227 - 13 (STANDARD SPECIFICATION FOR PRECAST CONCRETE SEPTIC TANKS)