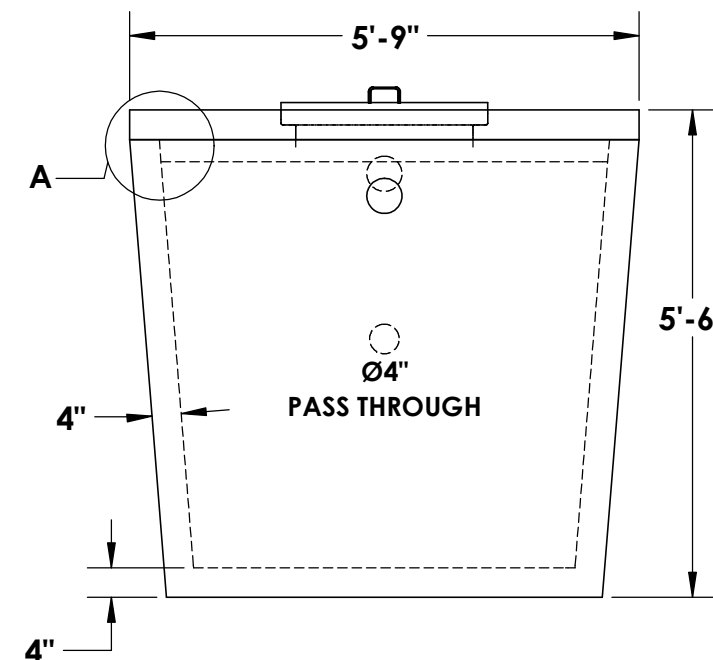
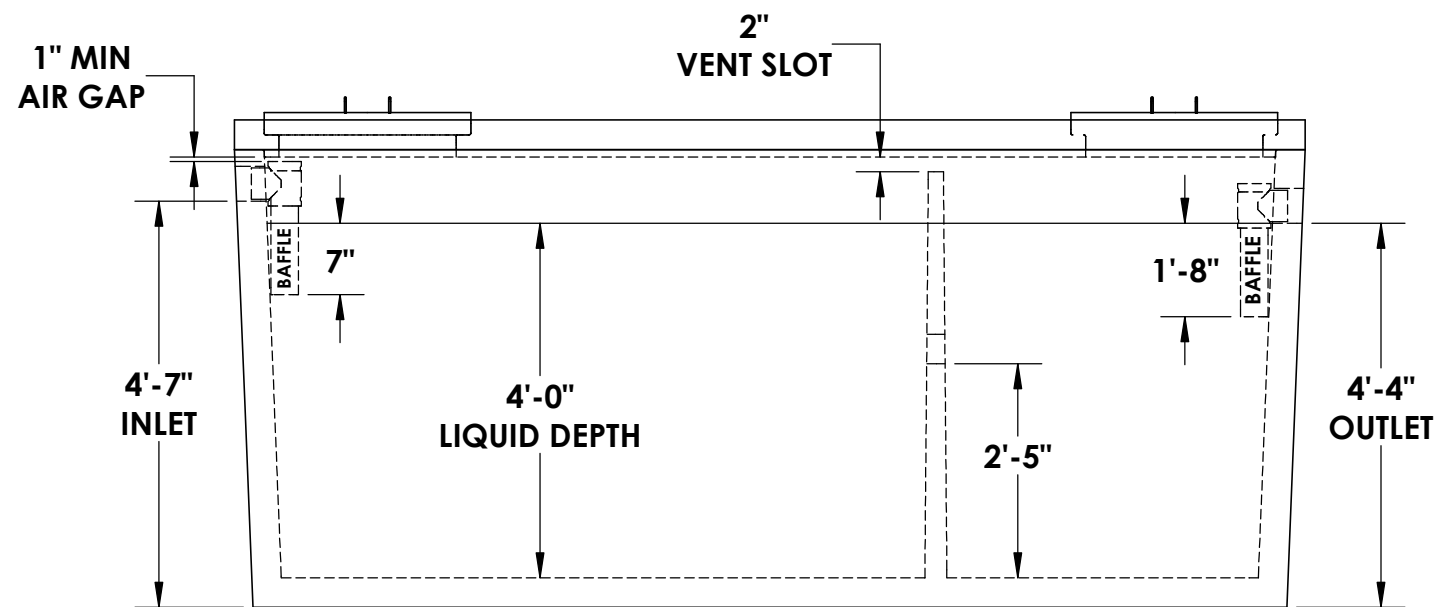
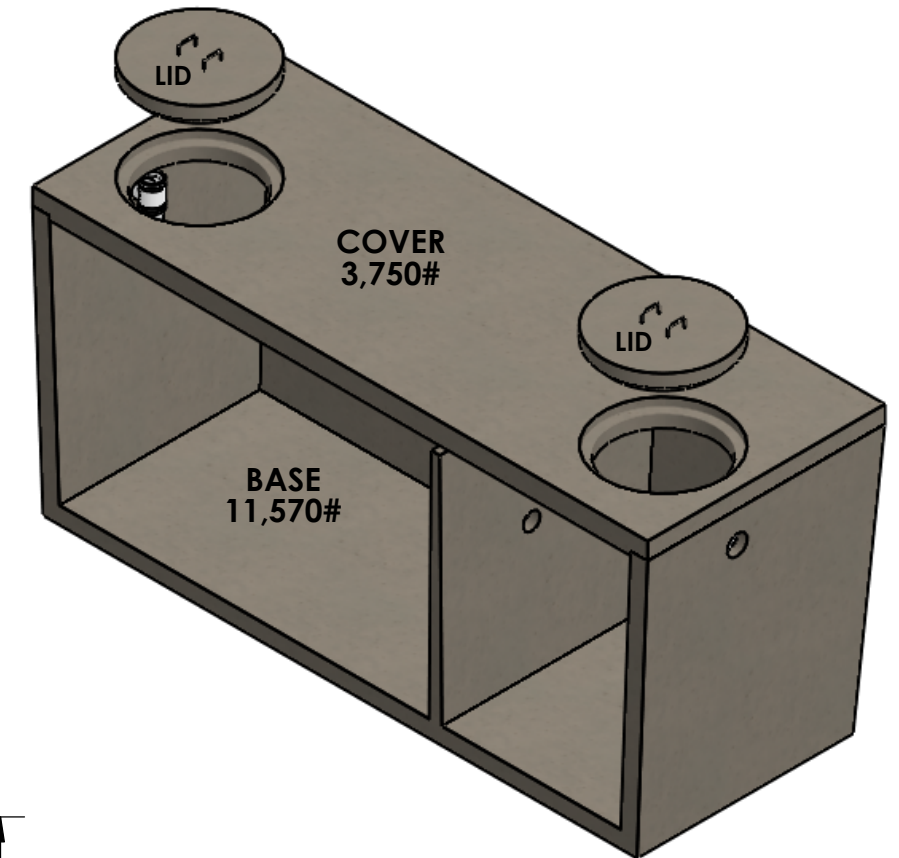
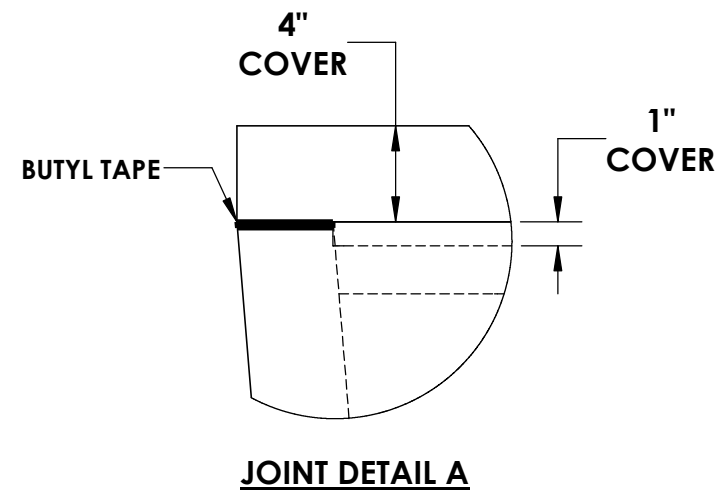
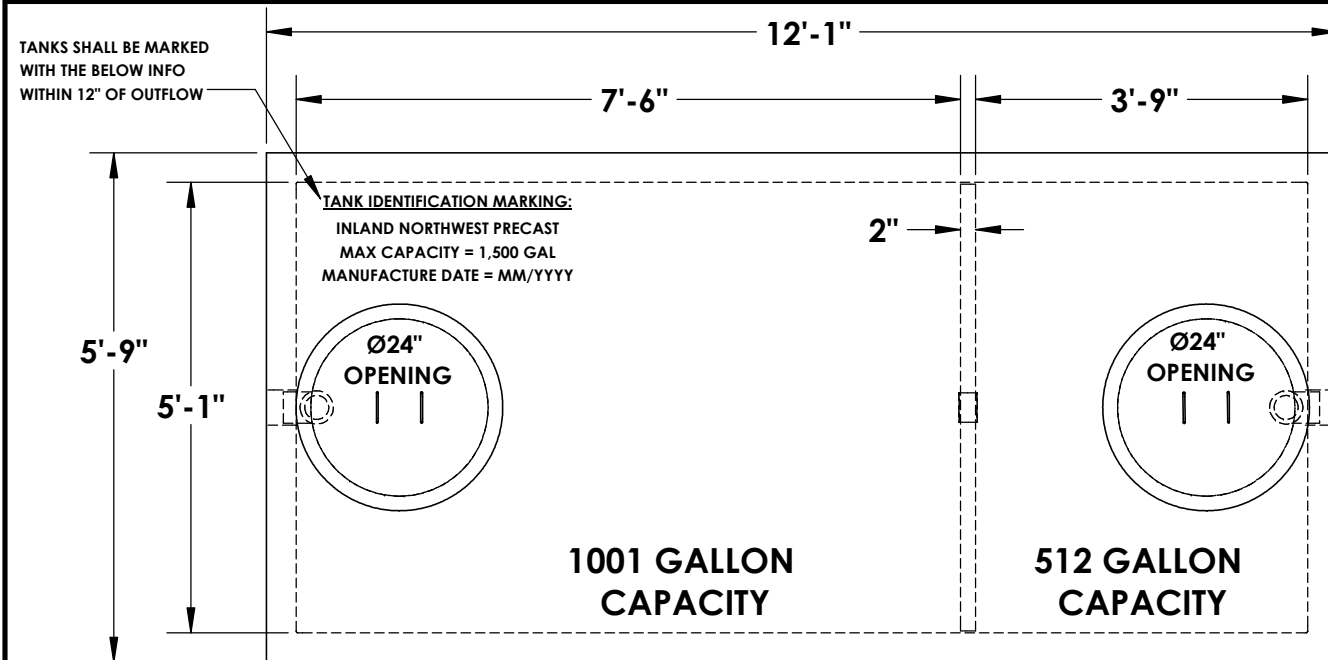


1500 GALLON DOUBLE COMPARTMENT SEPTIC TANK



- * CONCRETE:
4,000 PSI MINIMUM
- * RISER/FLANGE ADAPTERS:
AVAILABLE UPON REQUEST

- NOTES:**
- ~ BEDDING MUST BE COMPACTED AND AREA AROUND TANK MUST BE BACKFILLED PRIOR TO PUTTING INTO SERVICE
 - ~ Ø4" PRESS SEAL BOOTS PROVIDED AT INLET & OUTLET
 - ~ STRUCTURAL ENGINEERING CALCULATIONS AVAILABLE UPON REQUEST
 - ~ 2-1/2" TAPER FROM TOP TO BOTTOM OF TANK

© INLAND NORTHWEST PRECAST 2018



INLAND NORTHWEST PRECAST

5516 NORTH STARR RD PO BOX 610, NEWMAN LAKE, WA 99025 ~ (509) 226-5050 ~ www.inwprecast.com



REINFORCEMENT:

- ~ LID
TRANSV. - #4 @ 6"
LONGIT. - #4 @ 1'-0"
- ~ WALLS
4x4W4xW4 THROUGHOUT
- ~ BASE
TRANSV. - #4 @ 9"
LONGIT. - #4 @ 12"

*ALL TANKS ARE MADE IN ACCORDANCE WITH ASTM C1227 - 13 (STANDARD SPECIFICATION FOR PRECAST CONCRETE SEPTIC TANKS)