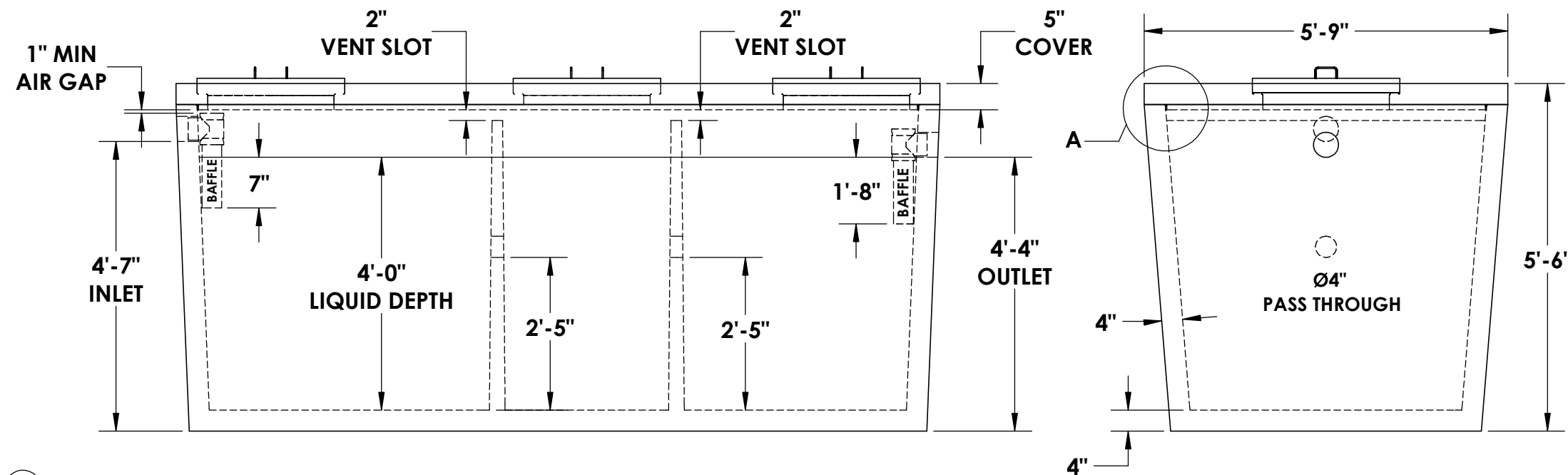
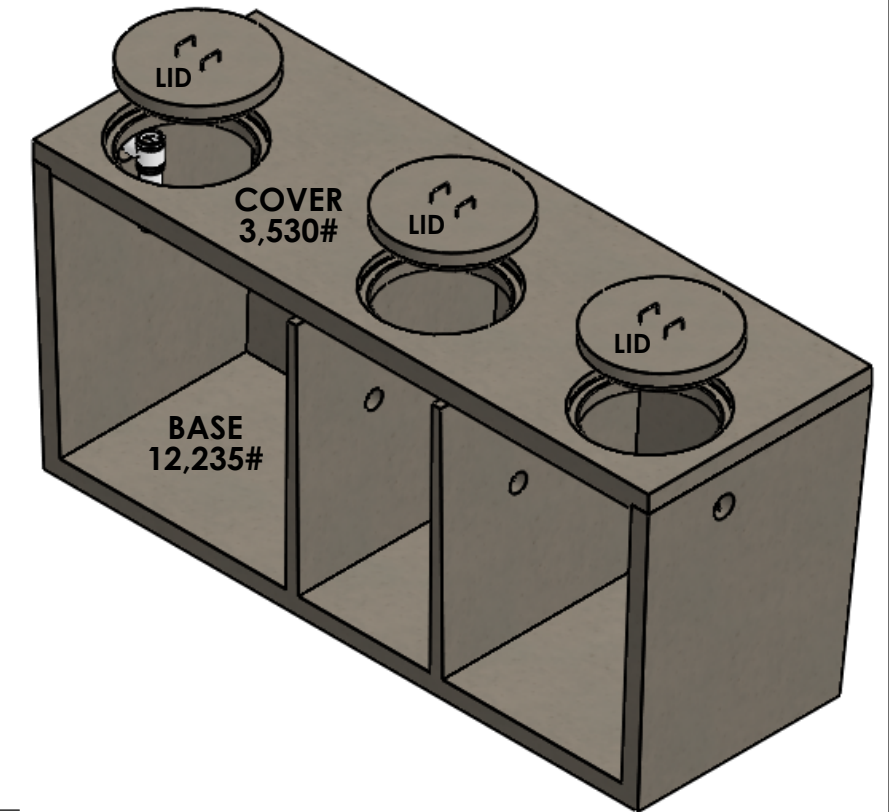
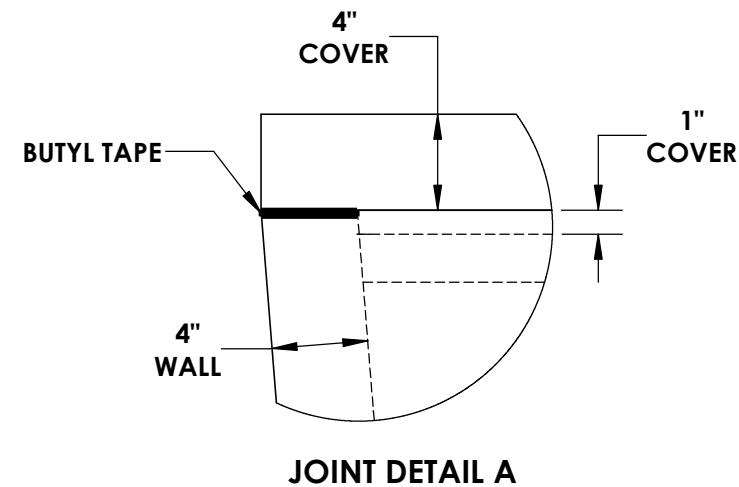
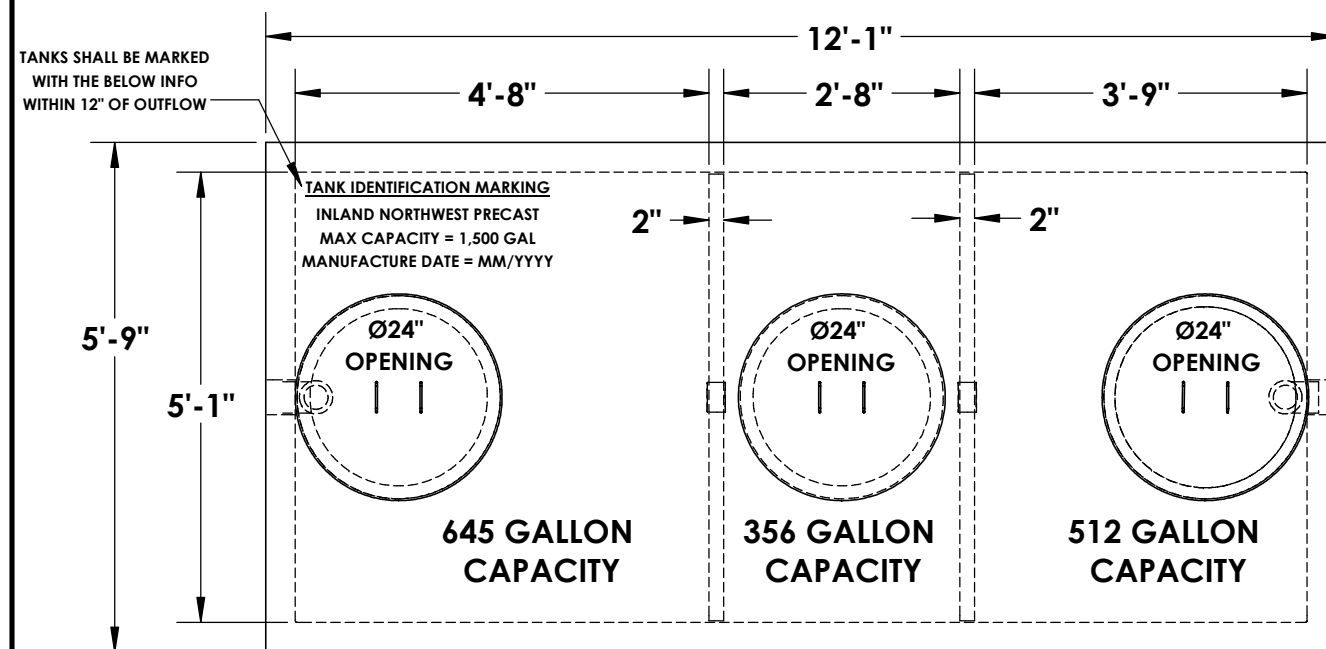


1500 GALLON TRIPLE COMPARTMENT SEPTIC TANK



* CONCRETE:
4,000 PSI MINIMUM

* RISER/FLANGE ADAPTERS:
AVAILABLE UPON REQUEST

NOTES:

- ~ BEDDING MUST BE COMPACTED AND AREA AROUND TANK MUST BE BACKFILLED PRIOR TO PUTTING INTO SERVICE
- ~ Ø4" PRESS SEAL BOOTS PROVIDED AT INLET & OUTLET
- ~ STRUCTURAL ENGINEERING CALCULATIONS AVAILABLE UPON REQUEST
- ~ 2-1/2" TAPER FROM TOP TO BOTTOM OF TANK

© INLAND NORTHWEST PRECAST 2018



INLAND NORTHWEST PRECAST

5516 NORTH STARR RD PO BOX 610, NEWMAN LAKE, WA 99025 ~ (509) 226-5050 ~ www.inwprecast.com



REINFORCEMENT:

- ~ LID
TRANSV. - #4 @ 6"
LONGIT. - #4 @ 1'-0"
- ~ WALLS
4x4W4xW4
- ~ BASE
TRANSV. - #4 @ 9"
LONGIT. - #4 @ 12"

* ALL TANKS ARE MADE IN ACCORDANCE WITH ASTM C1227 - 13 (STANDARD SPECIFICATION FOR PRECAST CONCRETE SEPTIC TANKS)