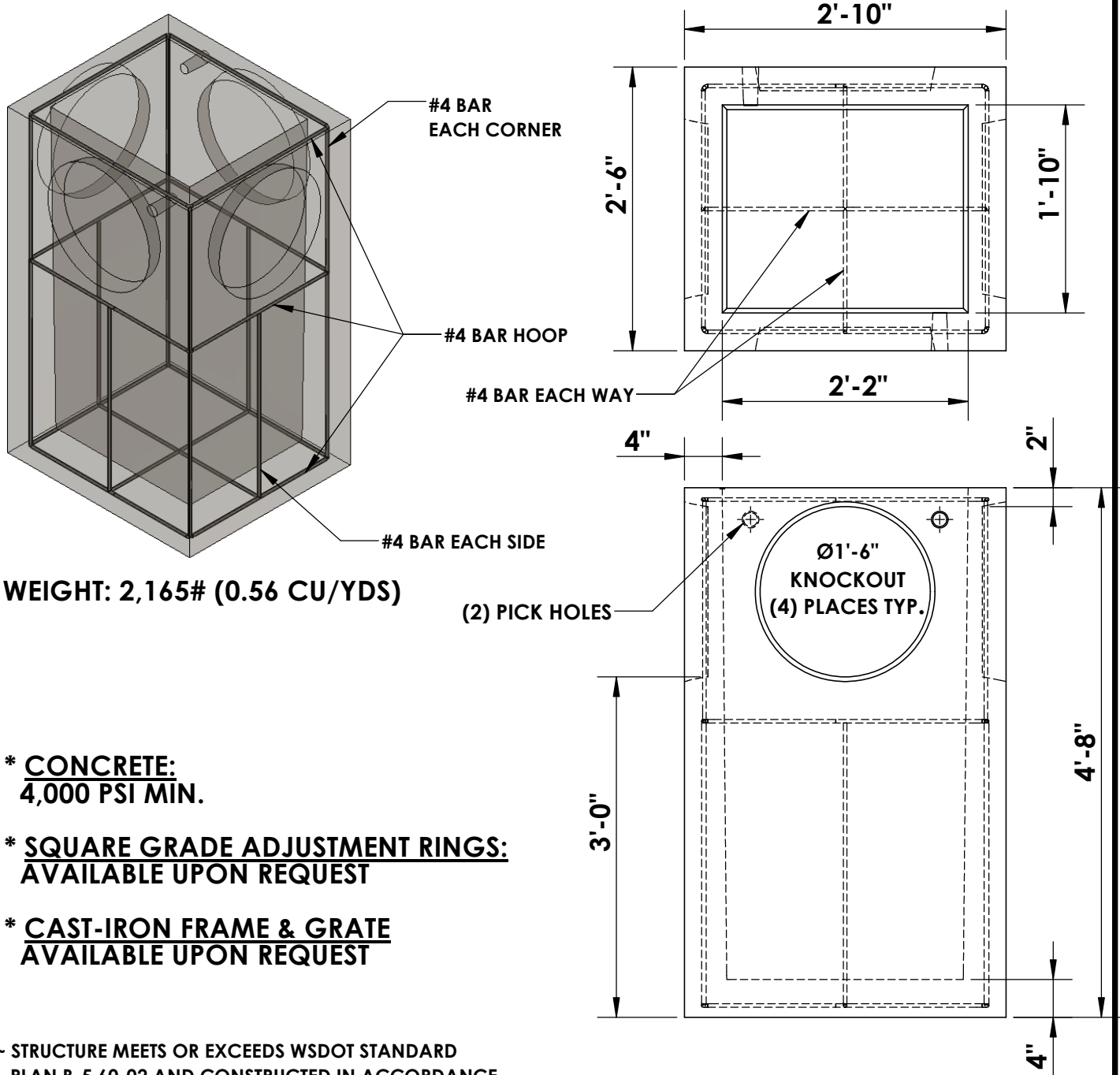


# TYPE 1P CATCH BASIN



WEIGHT: 2,165# (0.56 CU/YDS)

\* CONCRETE:  
4,000 PSI MIN.

\* SQUARE GRADE ADJUSTMENT RINGS:  
AVAILABLE UPON REQUEST

\* CAST-IRON FRAME & GRATE  
AVAILABLE UPON REQUEST

~ STRUCTURE MEETS OR EXCEEDS WSDOT STANDARD  
PLAN B-5.60-02 AND CONSTRUCTED IN ACCORDANCE  
WITH ASMT C858 & AASHTO M199 PER WSDOT SPEC. 9-04.3

© INLAND NORTHWEST PRECAST 2018



## INLAND NORTHWEST PRECAST



5516 NORTH STARR RD PO BOX 610, NEWMAN LAKE, WA 99025 ~ (509) 226-5050 ~ [www.inwprecast.com](http://www.inwprecast.com)