

Ø96" MANHOLE

CONCRETE:

4,000 PSI MIN. @ 28 DAYS

ROUND ADJUSTMENT RINGS:

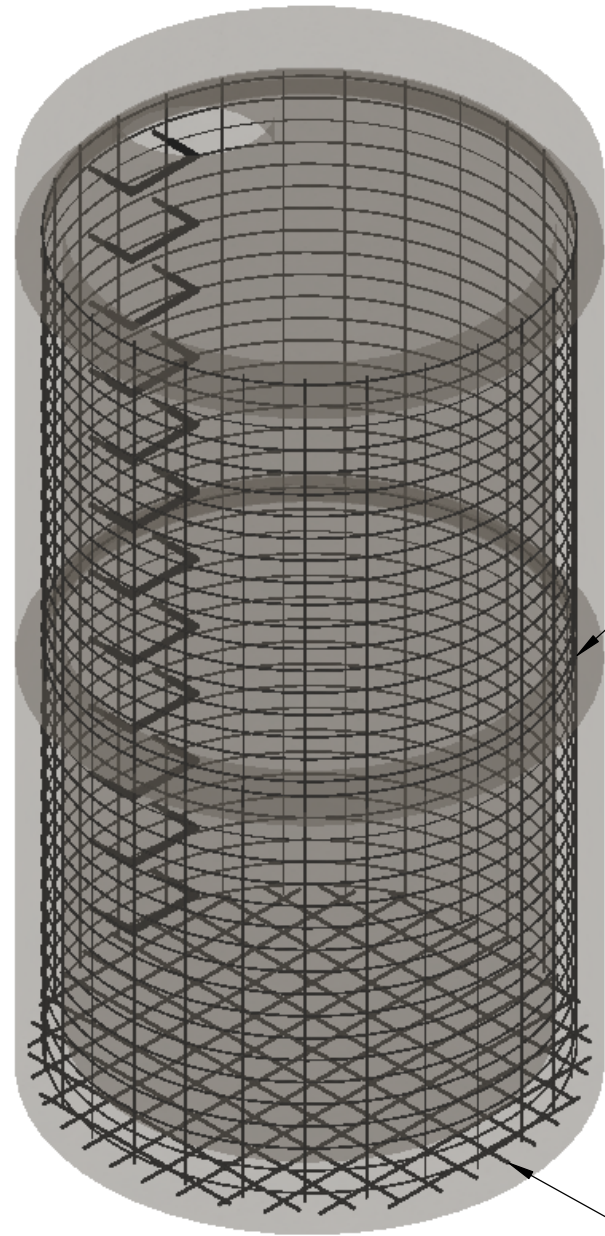
AVAILABLE UPON REQUEST

CAST-IRON:

AVAILABLE UPON REQUEST

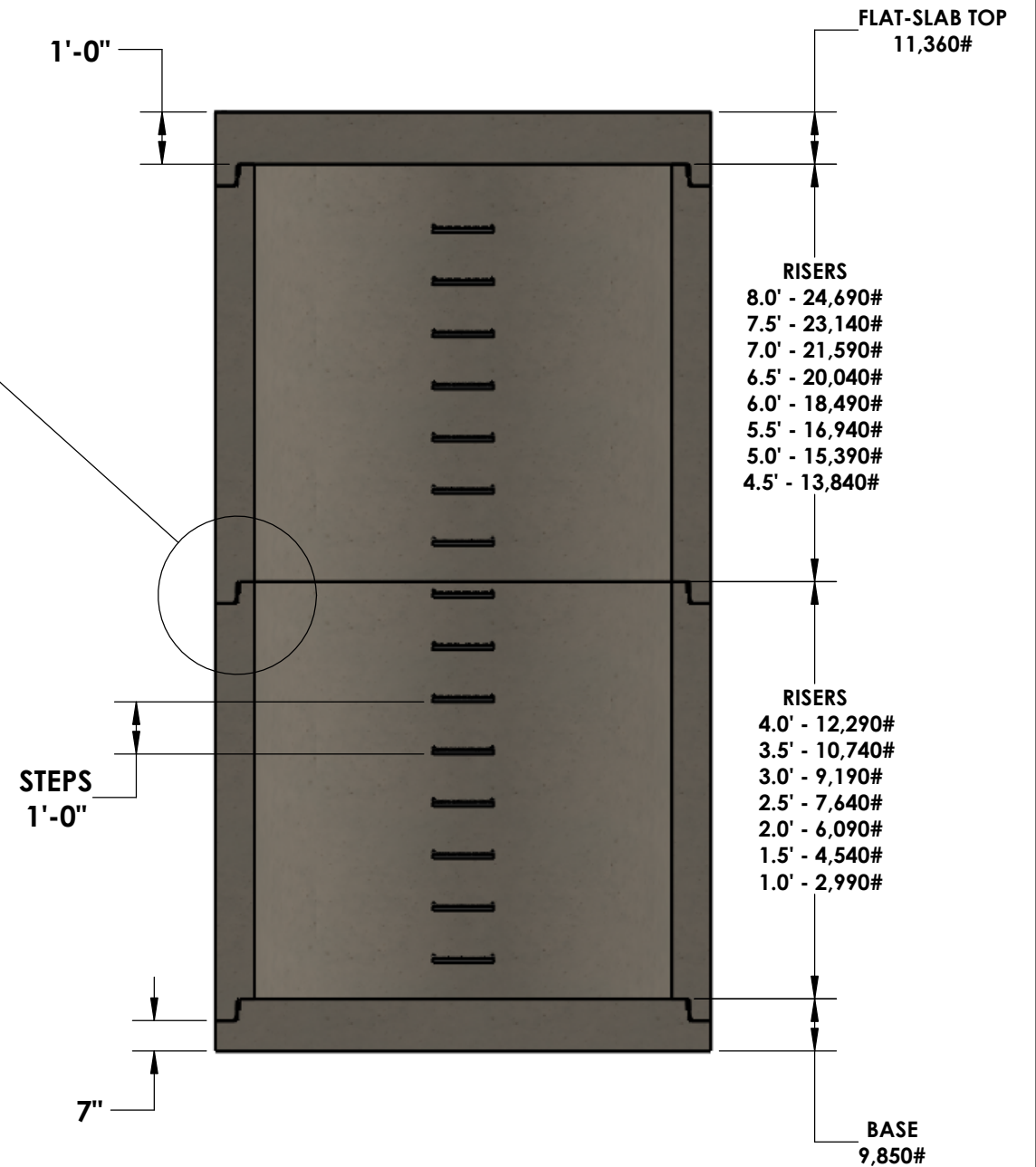
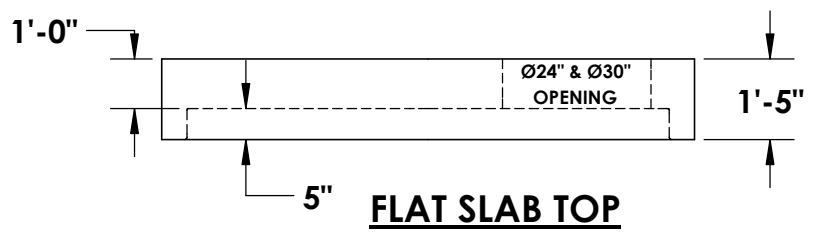
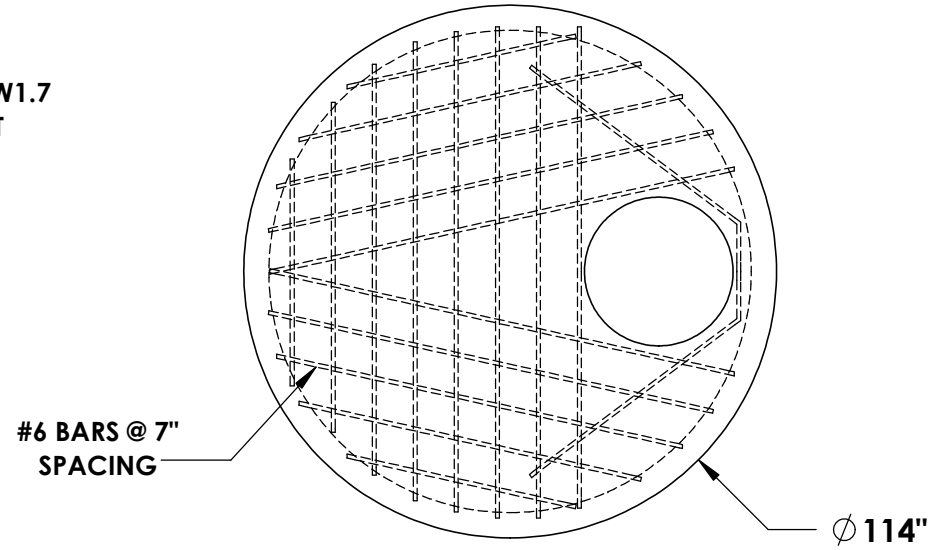
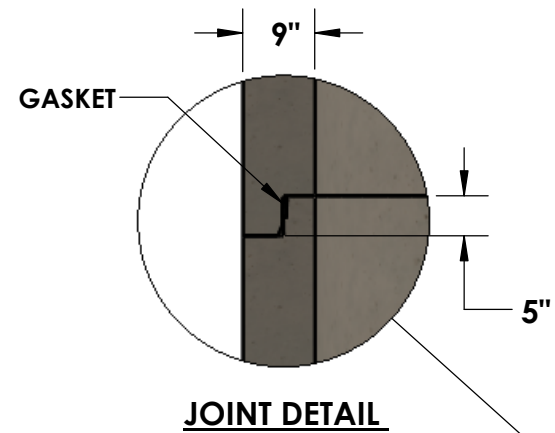
PRECAST CHANNELS:

AVAILABLE UPON REQUEST



PF 2x8 W2.5/W1.7
THROUGHOUT

SF4x4 W5/W5
WIRE MESH IN FLOOR
OF BASE



© INLAND NORTHWEST PRECAST 2018



INLAND NORTH WEST PRECAST

5516 NORTH STARR RD PO BOX 610, NEWMAN LAKE, WA 99025 (509) 226-5050



MANHOLES MEET OR EXCEED WSDOT STANDARD B-15.20 AND IS CONSTRUCTED IN ACCORDANCE WITH THE REQUIREMENTS OF ASTM C478, AASHTO M-199, & ASTM C443