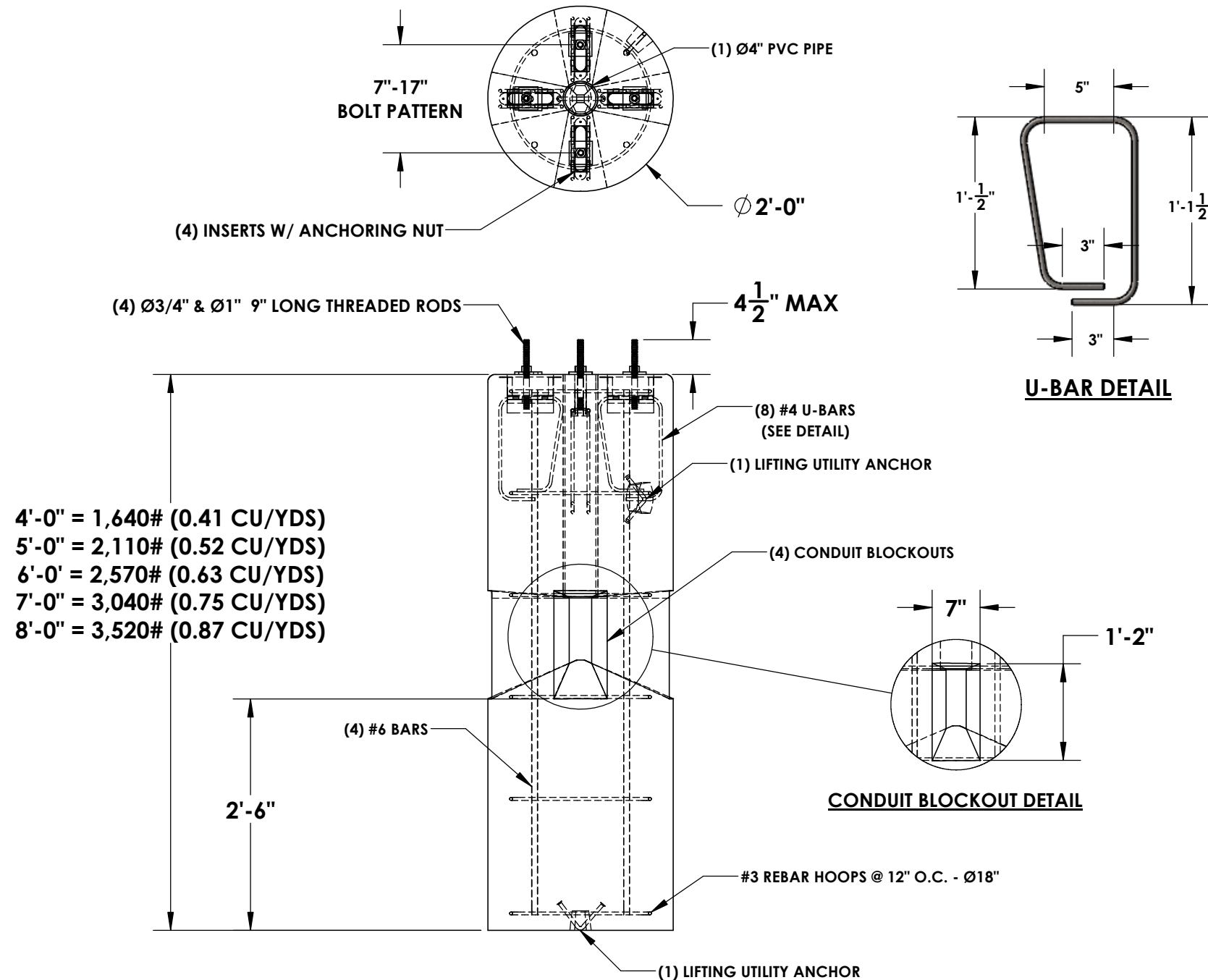
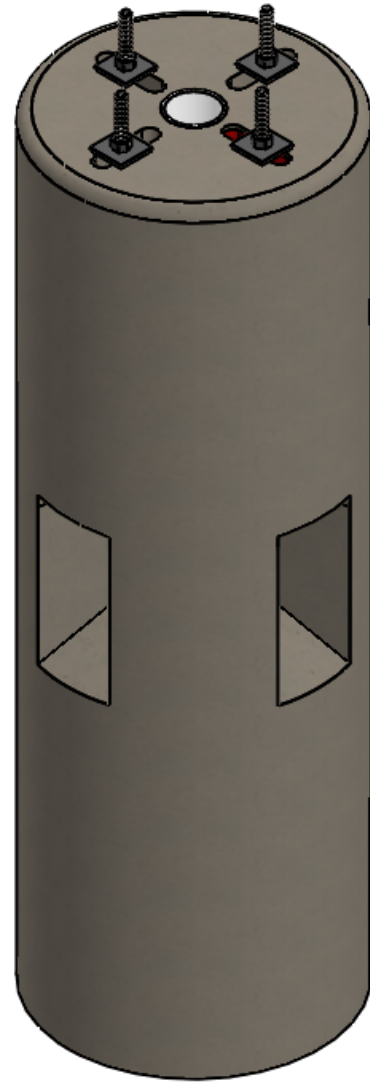
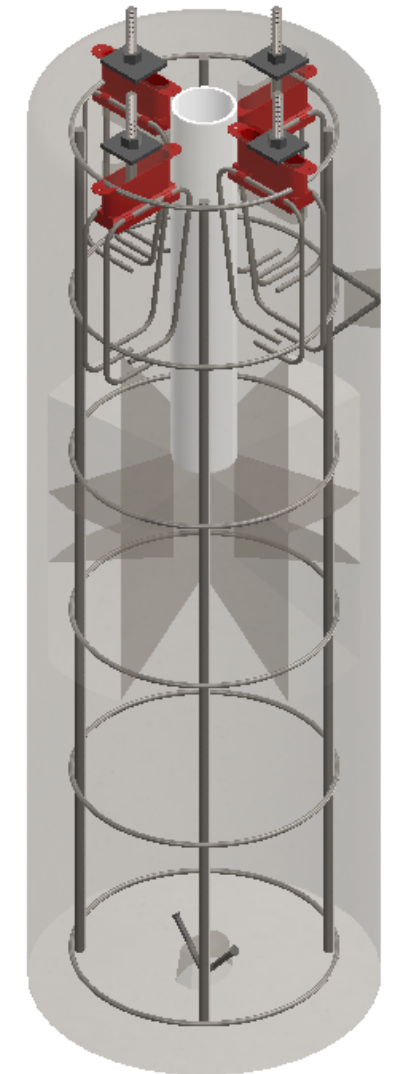


LIGHT POLE BASE



4'-0" = 1,640# (0.41 CU/YDS)
 5'-0" = 2,110# (0.52 CU/YDS)
 6'-0" = 2,570# (0.63 CU/YDS)
 7'-0" = 3,040# (0.75 CU/YDS)
 8'-0" = 3,520# (0.87 CU/YDS)



CONCRETE:
 5,000 PSI MINIMUM

© INLAND NORTHWEST PRECAST



INLAND NORTH WEST PRECAST

5516 NORTH STARR RD PO BOX 610, NEWMAN LAKE, WA 99025 (509) 226-5050 ~ www.inwprecast.com

