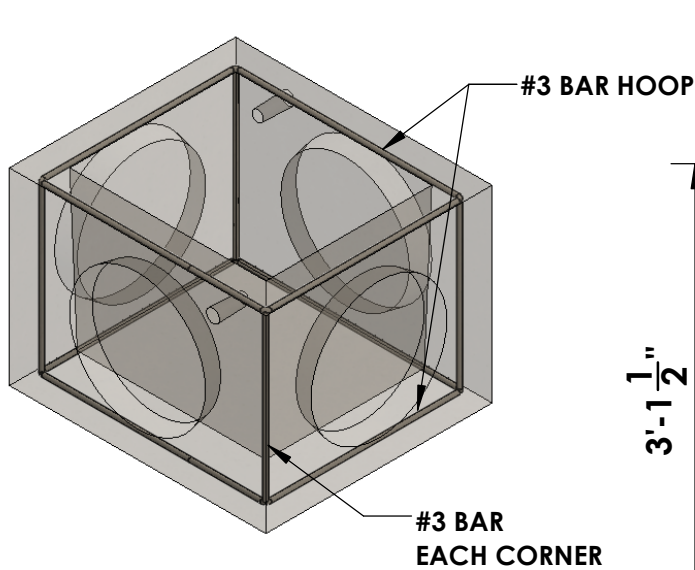
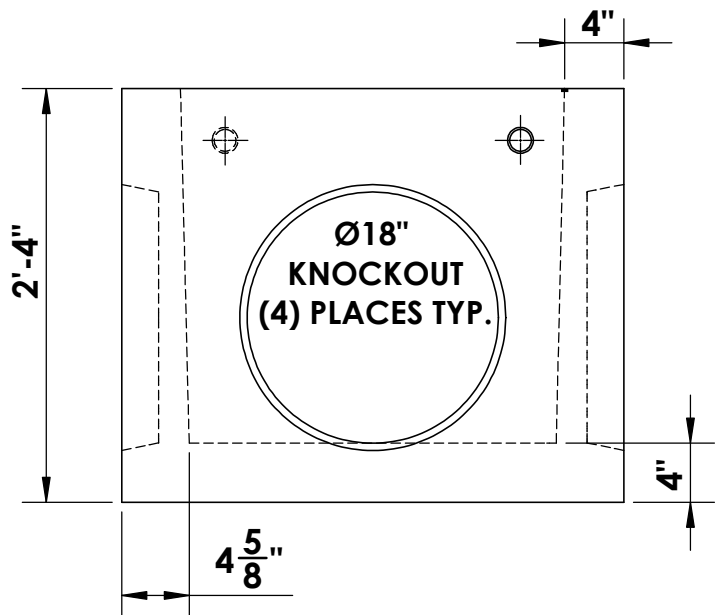
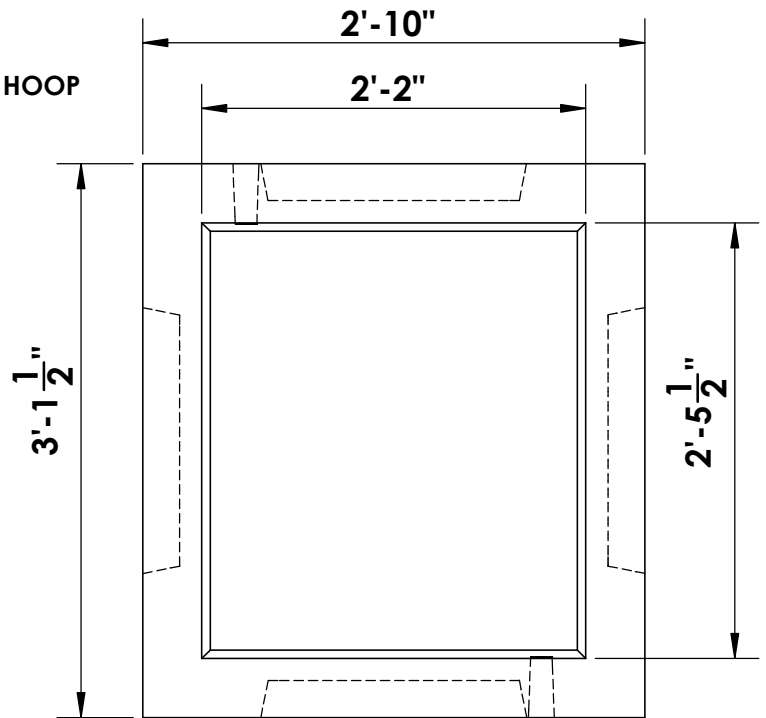


TYPE 2 CONCRETE INLET



WEIGHT: 1,360#



* CONCRETE:
4,000 PSI MIN.

* SQUARE GRADE ADJUSTMENT RINGS:
AVAILABLE UPON REQUEST

* CAST-IRON FRAME & GRATE:
AVAILABLE UPON REQUEST

~ STRUCTURE MEETS OR EXCEEDS SPOKANE COUNTY STANDARD PLAN B-6 AND IS CONSTRUCTED IN ACCORDANCE WITH ASTM C858



INLAND NORTHWEST PRECAST



5516 NORTH STARR RD PO BOX 610, NEWMAN LAKE, WA 99025 ~ (509) 226-5050 ~ www.inwprecast.com