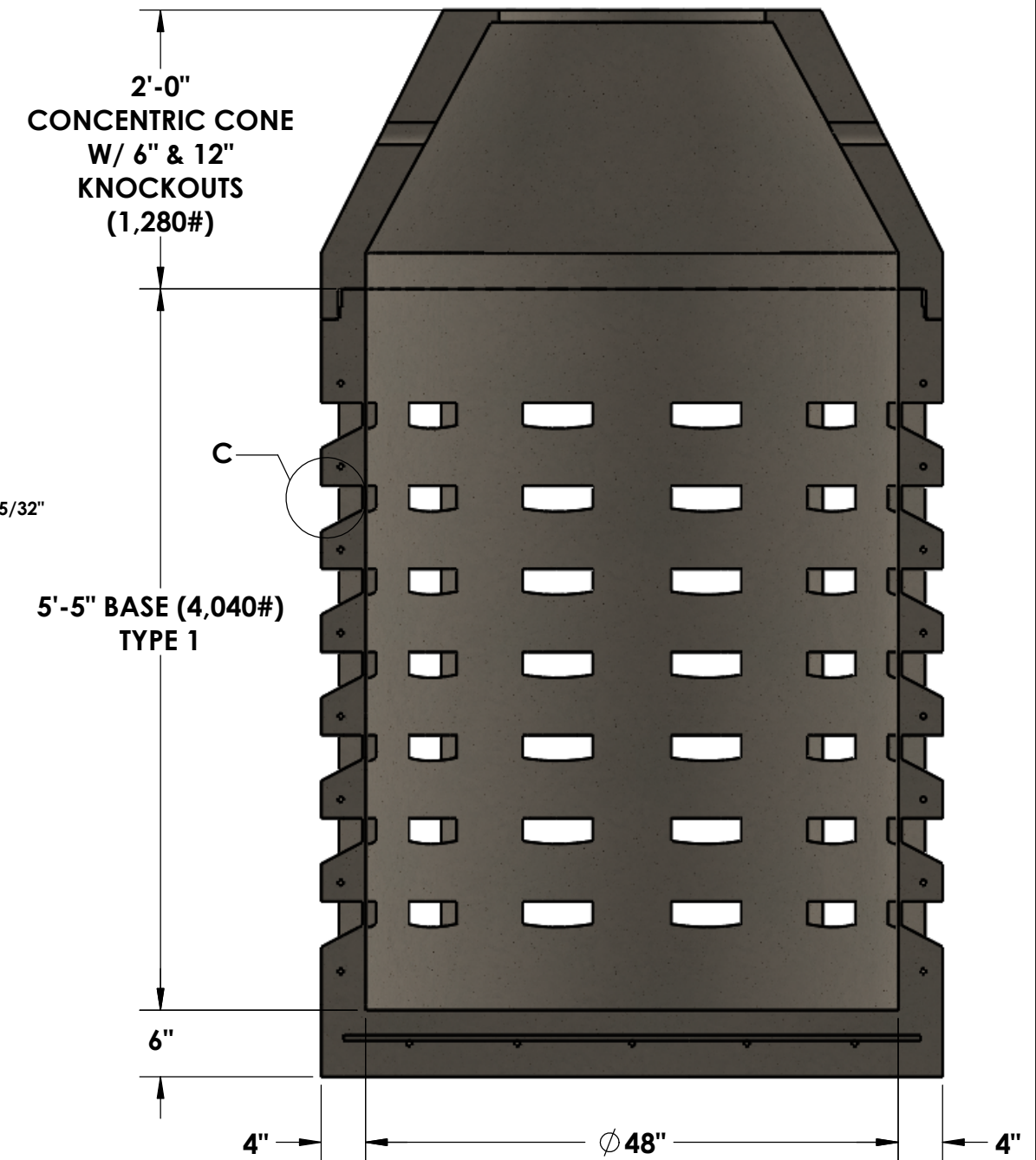
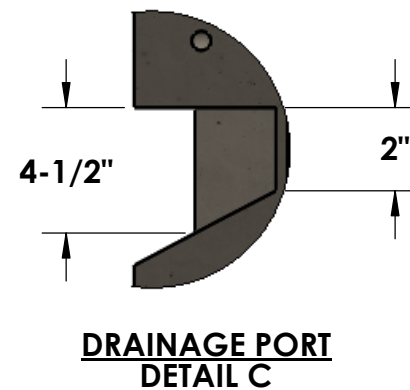
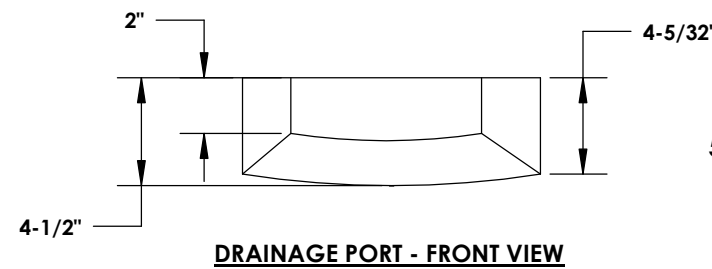
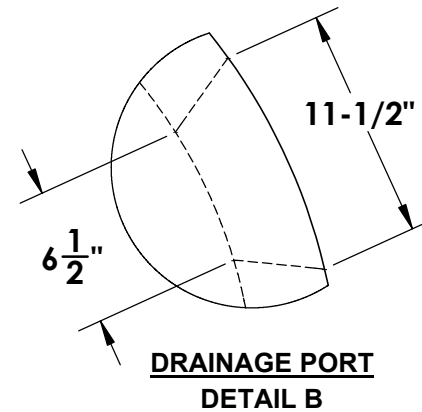
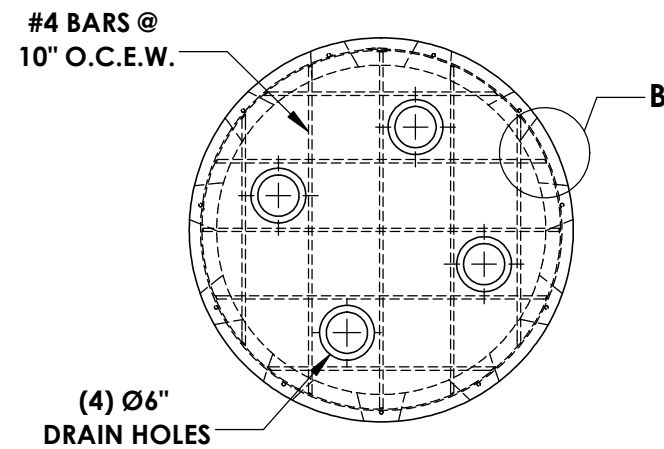
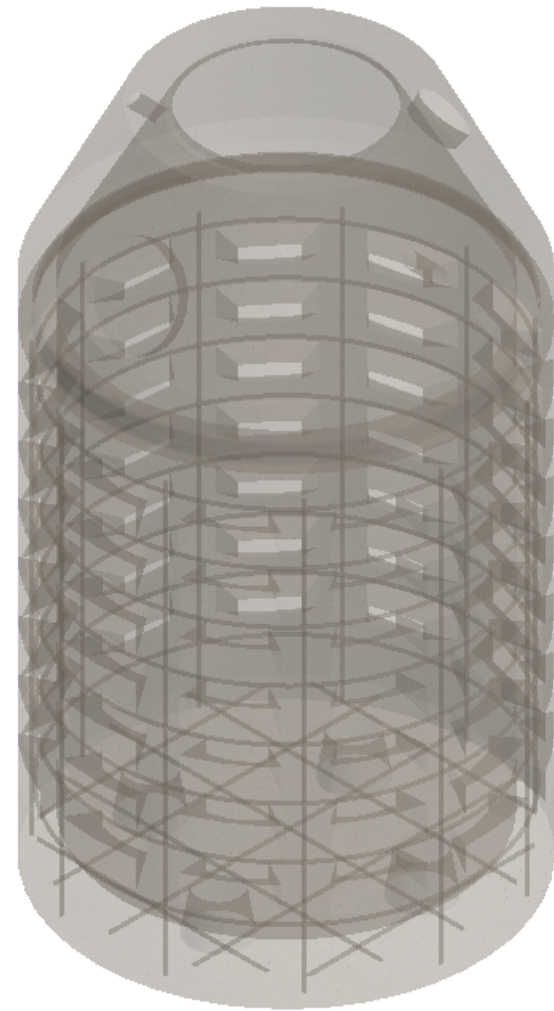


Ø48" TYPE 1 DRYWELL



CONCRETE:
4,000 PSI MIN. @ 28 DAYS

ROUND ADJUSTMENT RINGS:
AVAILABLE UPON REQUEST

CAST-IRON:
AVAILABLE UPON REQUEST

© INLAND NORTHWEST PRECAST 2018



INLAND NORTHWEST PRECAST

5516 NORTH STARR RD PO BOX 610, NEWMAN LAKE, WA 99025 (509) 226-5050 ~ www.inwprecast.com



DRYWELLS MEET OR EXCEED WSDOT STANDARD B-20.20 AND MEETS OR EXCEEDS CITY OF SPOKNE STANDARD B-102C & IS CONSTRUCTED IN ACCORDANCE WITH THE REQUIREMENTS OF ASTM C478, AASHTO M-199, & ASTM C443