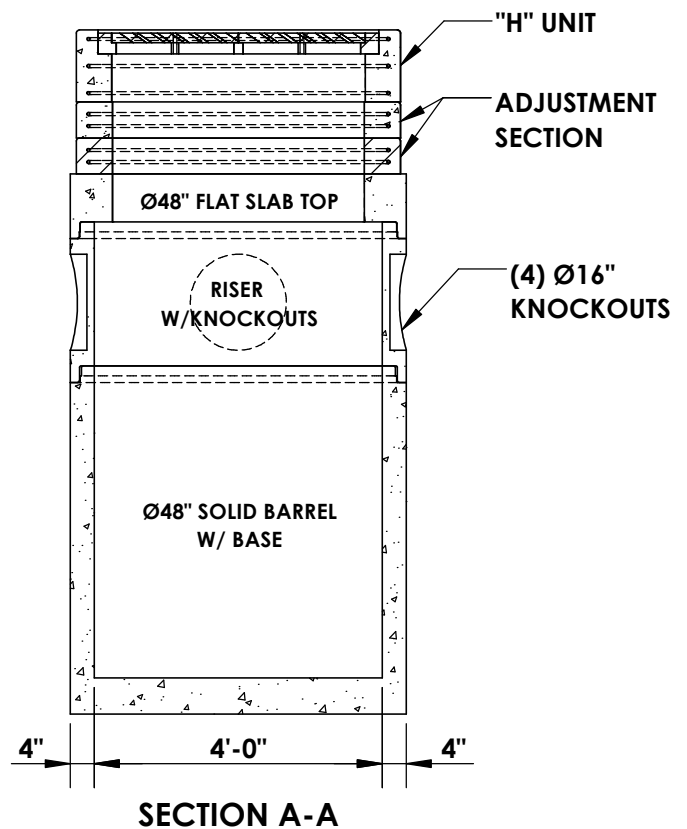
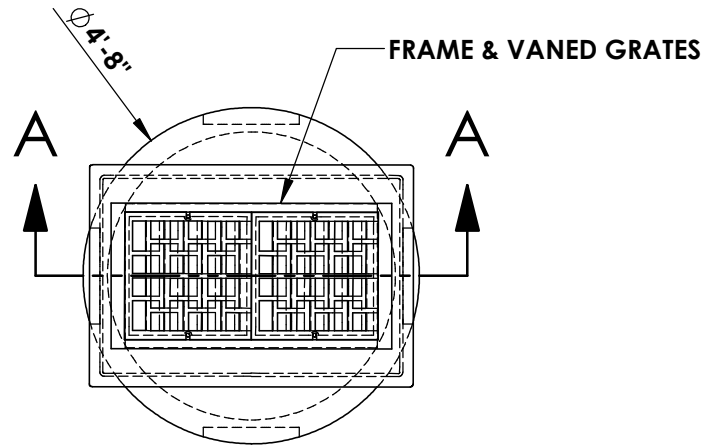
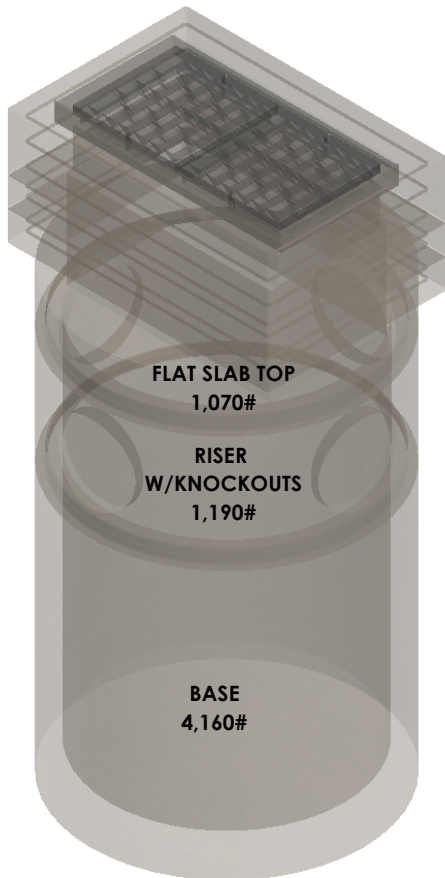


CITY OF SPOKANE TYPE 4 CATCH BASIN



***CONCRETE:**
4,000 PSI MIN.

***ROUND ADJUSTMENT RINGS:**
AVAILABLE UPON REQUEST

***CAST-IRON**
AVAILABLE UPON REQUEST

~ STRUCTURE MEETS OR EXCEEDS CITY OF SPOKANE STANDARD B-101C AND IS CONSTRUCTED IN ACCORDANCE WITH WITH ASTM C858 & AASHTO M199 PER WSDOT SPEC. 9-05.50(1)



INLAND NORTHWEST PRECAST



516 NORTH STARR RD PO BOX 610, NEWMAN LAKE, WA 99025 ~ (509) 226-5050 ~ www.inwprecast.com