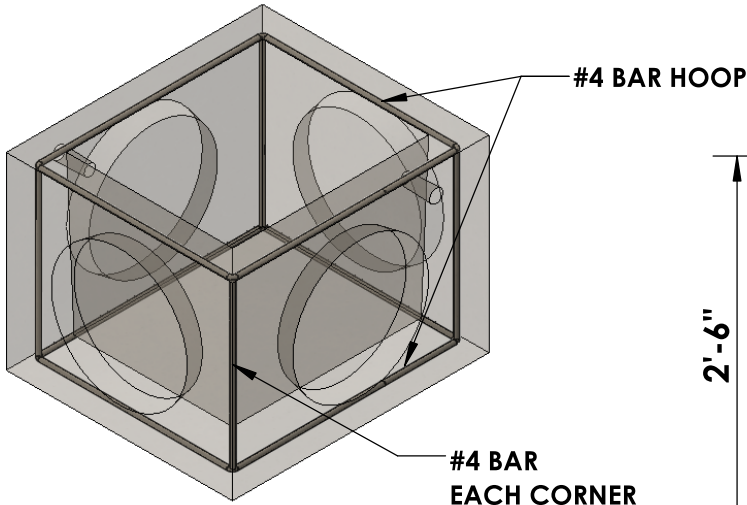
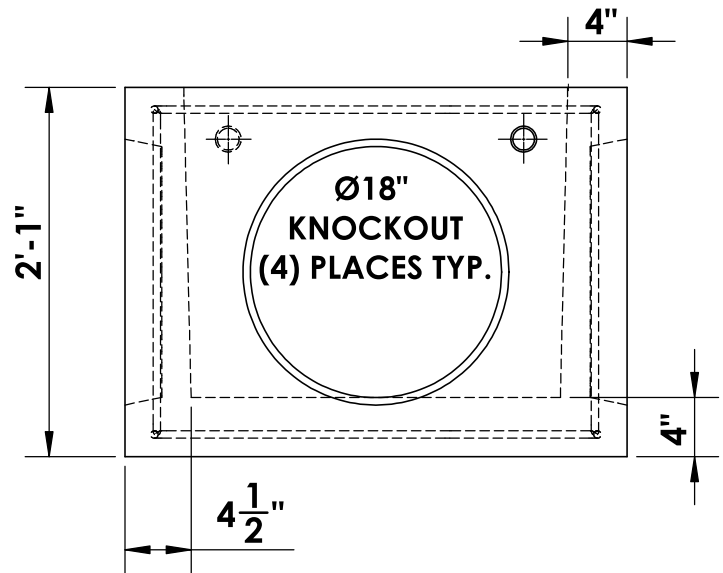
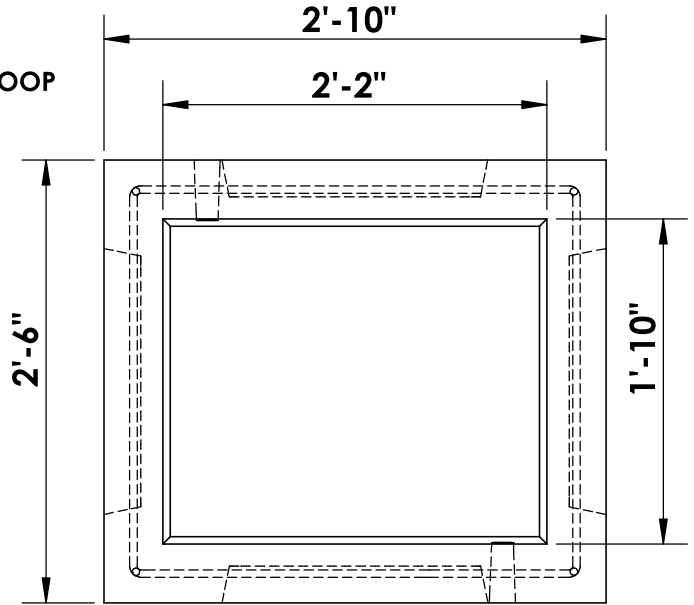


CONCRETE INLET



WEIGHT: 1,000#



* CONCRETE:
4,000 PSI MIN.

* SQUARE GRADE ADJUSTMENT RINGS:
AVAILABLE UPON REQUEST

* CAST-IRON FRAME & GRATE:
AVAILABLE UPON REQUEST

~ STRUCTURE MEETS OR EXCEEDS WSDOT STANDARD
PLAN B-25.60-02 AND IS CONSTRUCTED IN ACCORDANCE
WITH ASTM C858



INLAND NORTHWEST PRECAST



516 NORTH STARR RD PO BOX 610, NEWMAN LAKE, WA 99025 ~ (509) 226-5050 ~ www.inwprecast.com