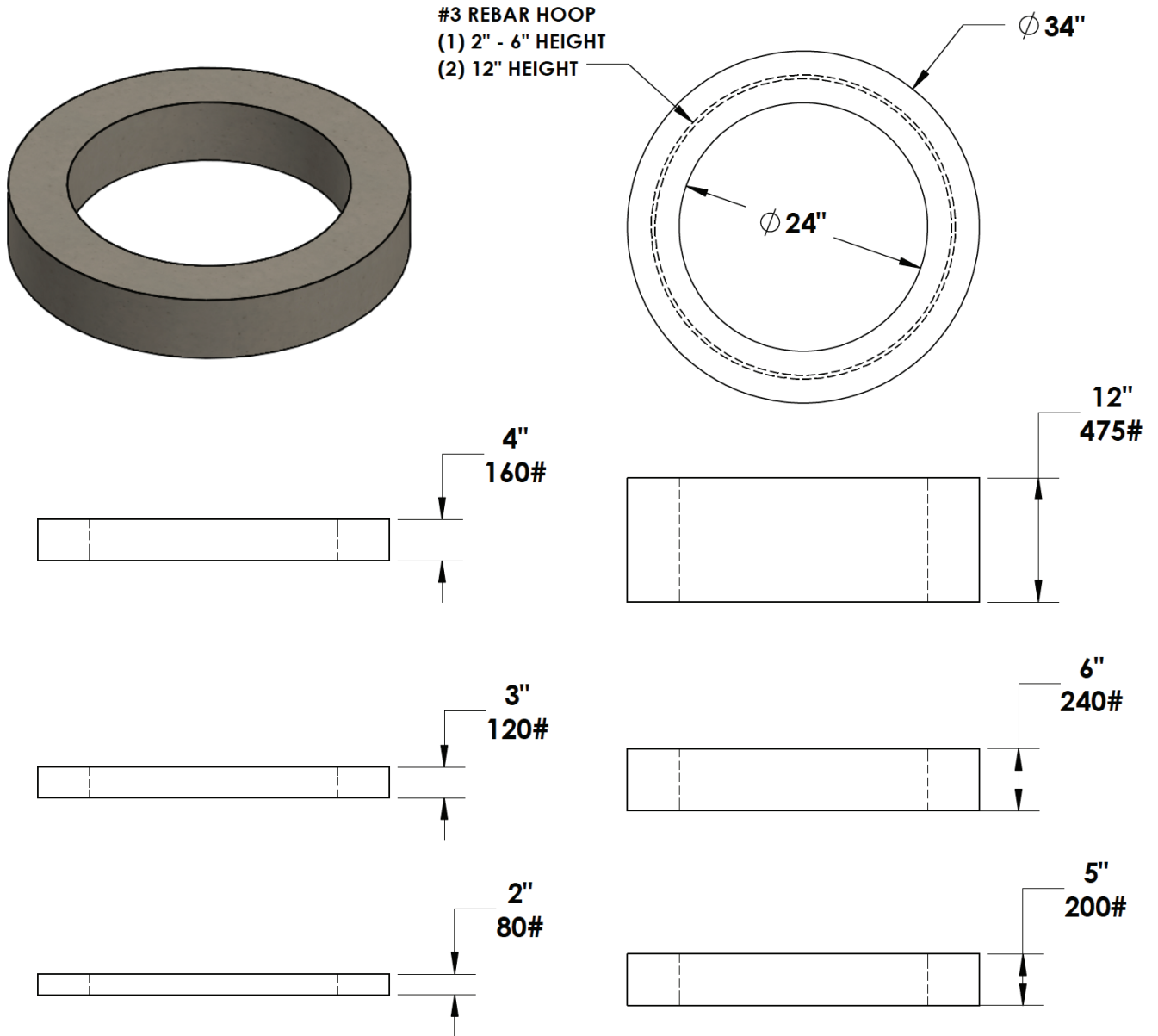


GRADE RING ADJUSTMENTS



* SQUARE ADJUSTMENTS MEET OR EXCEED THE REQUIREMENTS OF ASTM C478/AASSTO M199, ASTM C443, & ASTM C890.



INLAND NORTHWEST PRECAST

5516 NORTH STARR RD PO BOX 610, NEWMAN LAKE, WA 99025 ~ (509) 226-5050