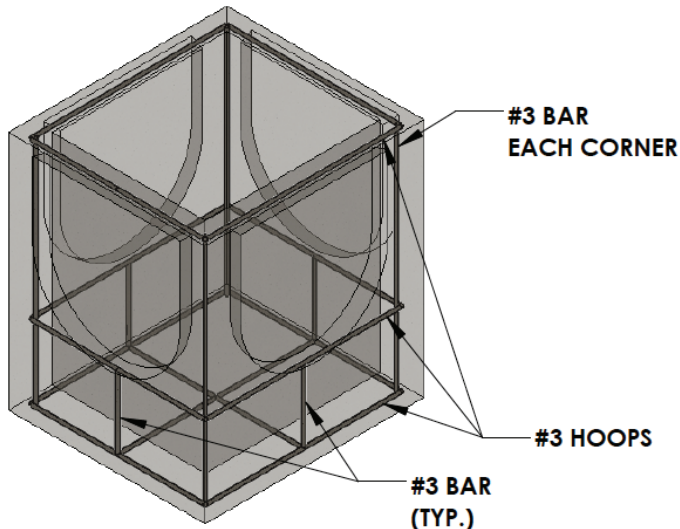
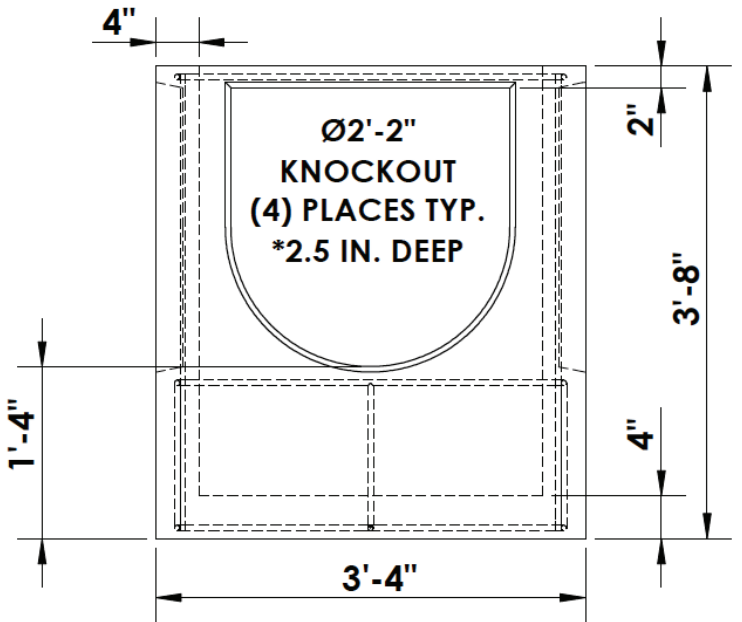
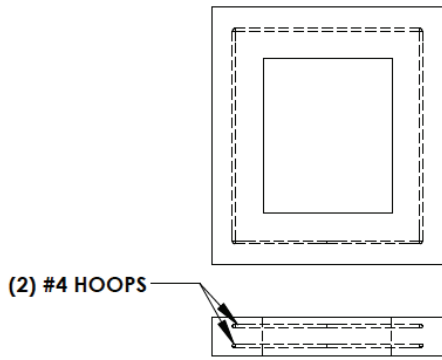
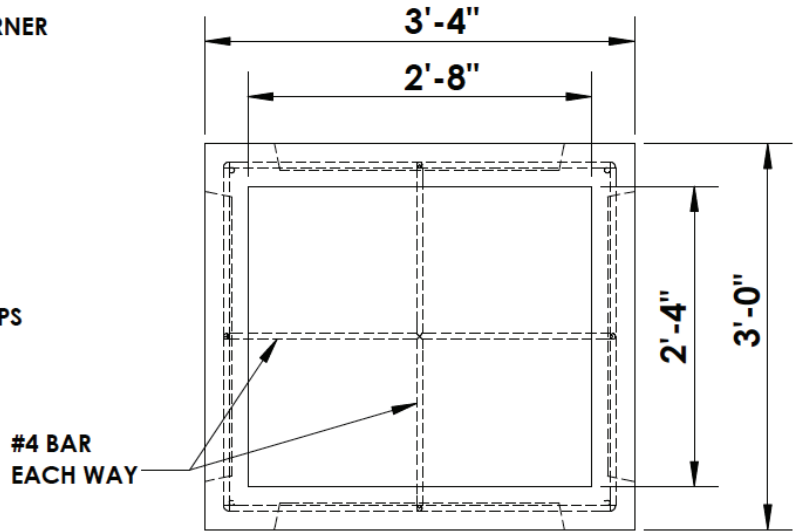


TYPE 1L CATCH BASIN



WEIGHT: 1,770# (0.46 CU/YDS)



* **CONCRETE:**
4,000 PSI MIN.

* **REINFORCEMENT:**
#4 GRADE 60 REBAR THROUGHOUT

* **SQUARE GRADE ADJUSTMENT RINGS:**
AVAILABLE UPON REQUEST

~ STRUCTURE MEETS OR EXCEEDS WSDOT STANDARD
PLAN B-5.40-02 AND CONSTRUCTED IN ACCORDANCE
WITH ASMT C858 & AASHTO M199 PER WSDOT SPEC. 9-04.3

© INLAND NORTHWEST PRECAST 2018



INLAND NORTHWEST PRECAST



5516 NORTH STARR RD PO BOX 610, NEWMAN LAKE, WA 99025 ~ (509) 226-5050 ~ www.inwprecast.com