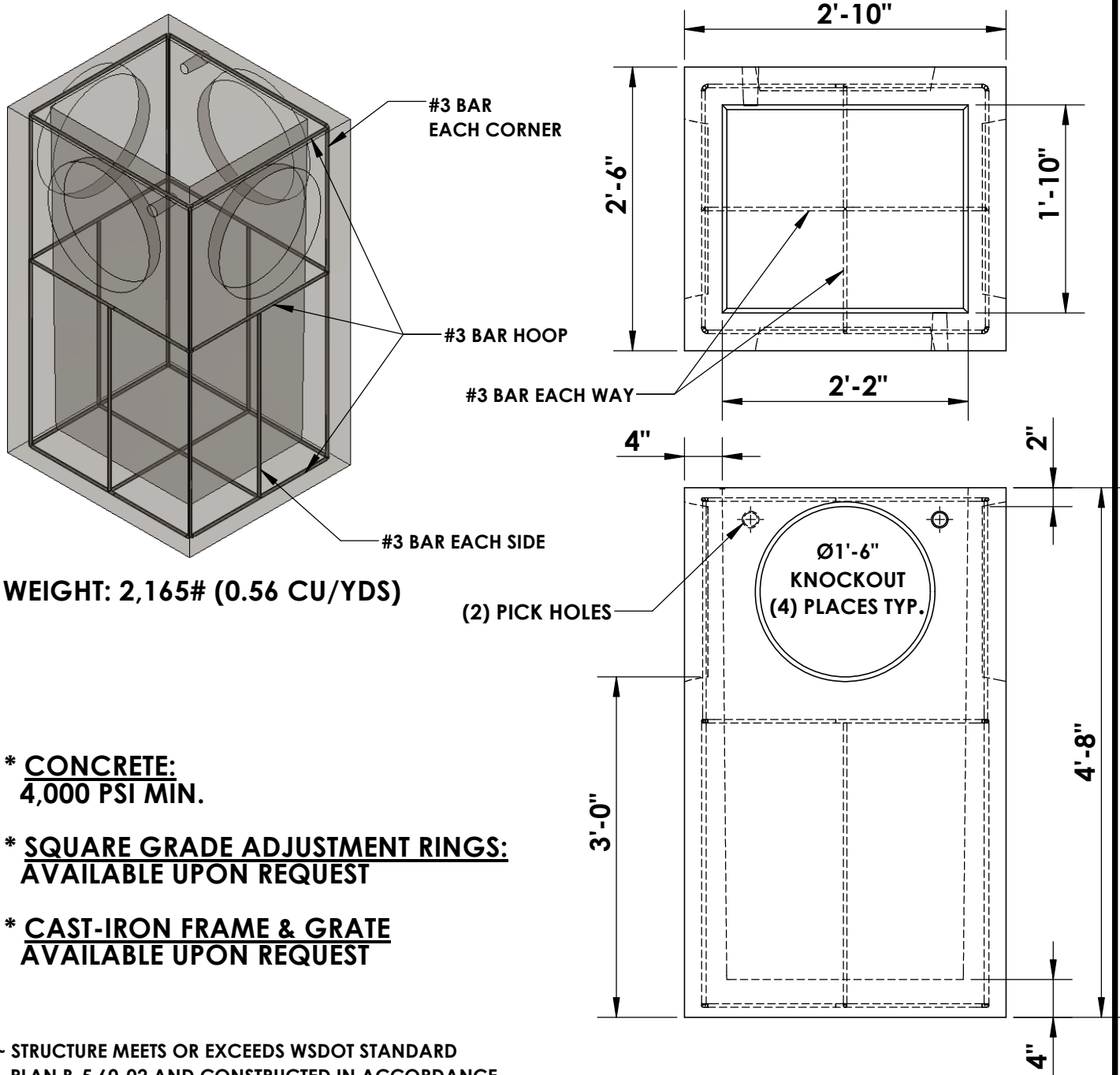


TYPE 1P CATCH BASIN



WEIGHT: 2,165# (0.56 CU/YDS)

* CONCRETE:
4,000 PSI MIN.

* SQUARE GRADE ADJUSTMENT RINGS:
AVAILABLE UPON REQUEST

* CAST-IRON FRAME & GRATE
AVAILABLE UPON REQUEST

~ STRUCTURE MEETS OR EXCEEDS WSDOT STANDARD
PLAN B-5.60-02 AND CONSTRUCTED IN ACCORDANCE
WITH ASMT C858 & AASHTO M199 PER WSDOT SPEC. 9-04.3

© INLAND NORTHWEST PRECAST 2018



INLAND NORTHWEST PRECAST



5516 NORTH STARR RD PO BOX 610, NEWMAN LAKE, WA 99025 ~ (509) 226-5050 ~ www.inwprecast.com