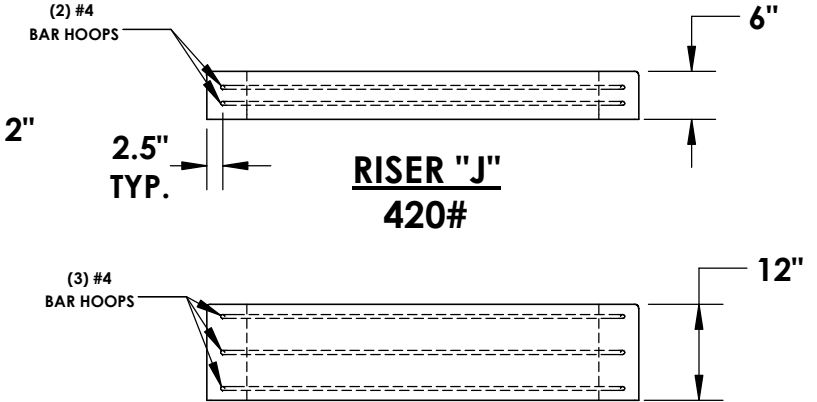
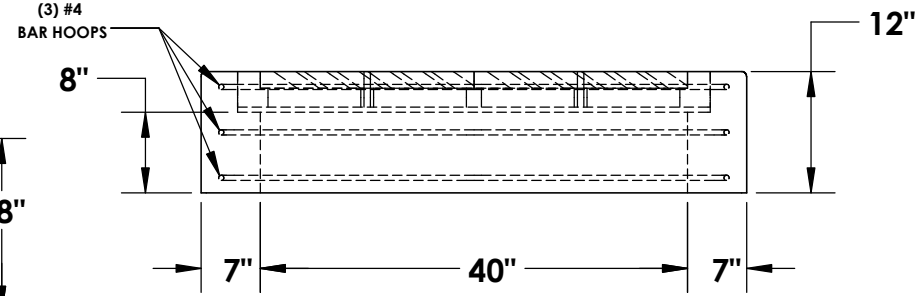
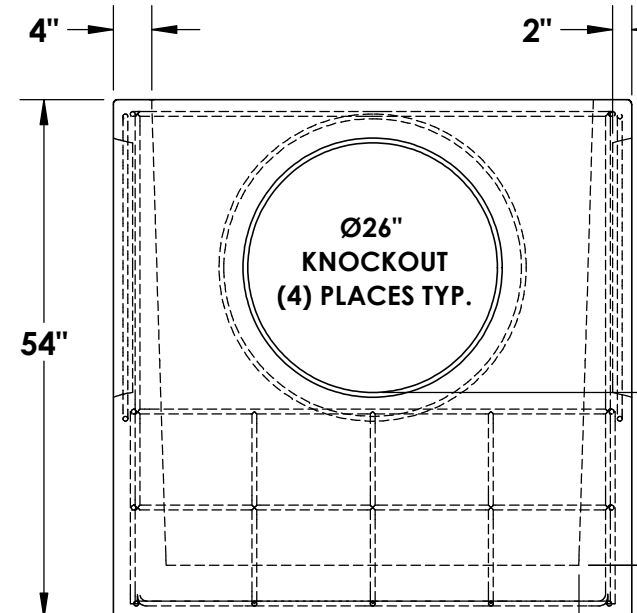
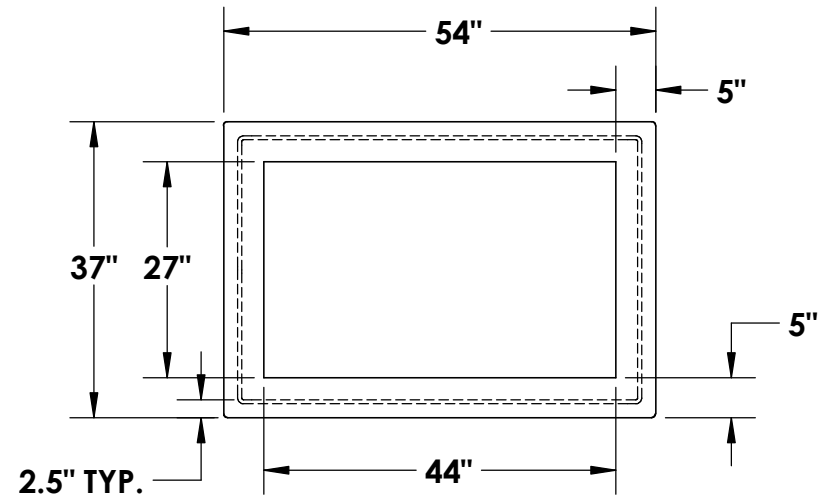
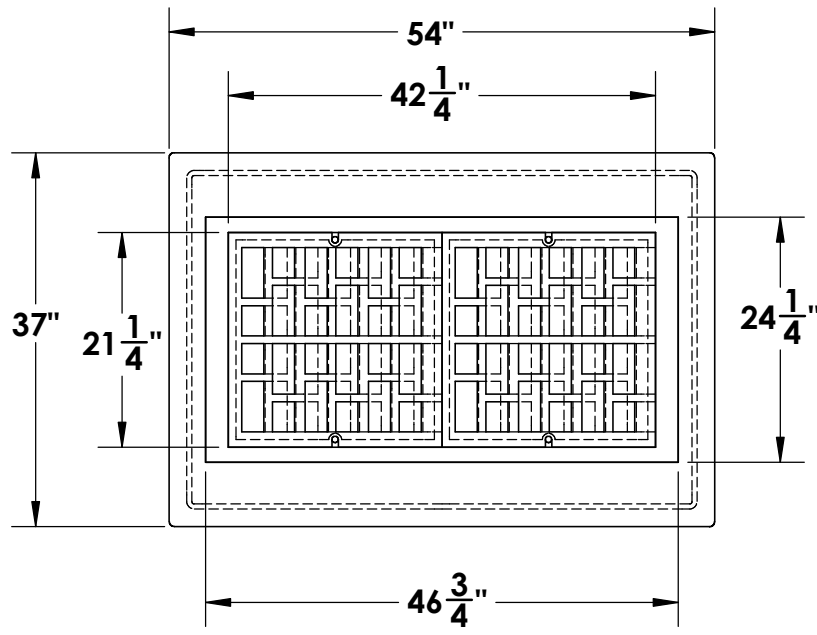
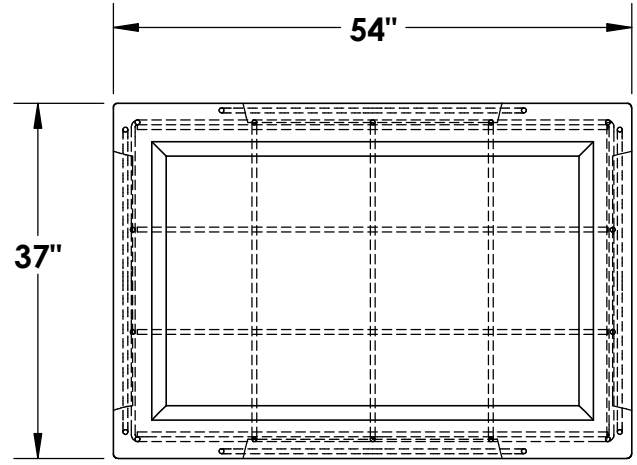
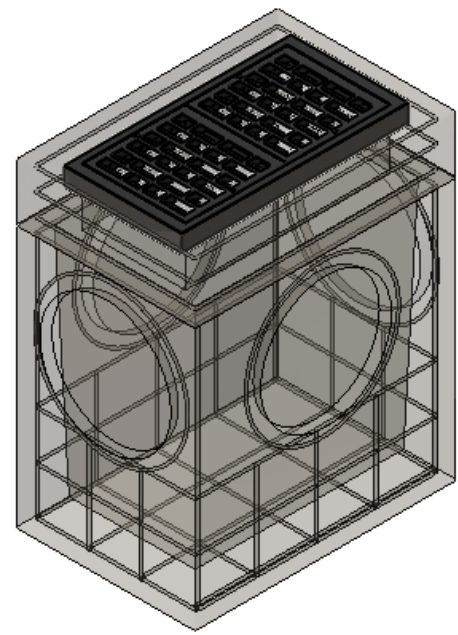


TYPE 2 GRATE INLET



* **CONCRETE:**
4,000 PSI MIN.

* **REINFORCEMENT (BASE):**
#4 BAR THROUGHOUT

* **SQUARE GRADE ADJUSTMENT RINGS:**
AVAILABLE UPON REQUEST

* **GRATE:**
AVAILABLE UPON REQUEST

~ ALL EXPOSED CONCRETE EDGES SHALL BE FINISHED WITH
A 1/2" RADIUS

© INLAND NORTHWEST PRECAST



INLAND NORTHWEST PRECAST



5516 NORTH STARR RD PO BOX 610, NEWMAN LAKE, WA 99025 ~ (509) 226-5050 ~ www.inwprecast.com

INLETS MEET OR EXCEED WSDOT STANDARD B-35.40 AND IS CONSTRUCTED IN ACCORDANCE WITH THE REQUIREMENTS OF ASTM C478, AASHTO M-199, & ASTM C443