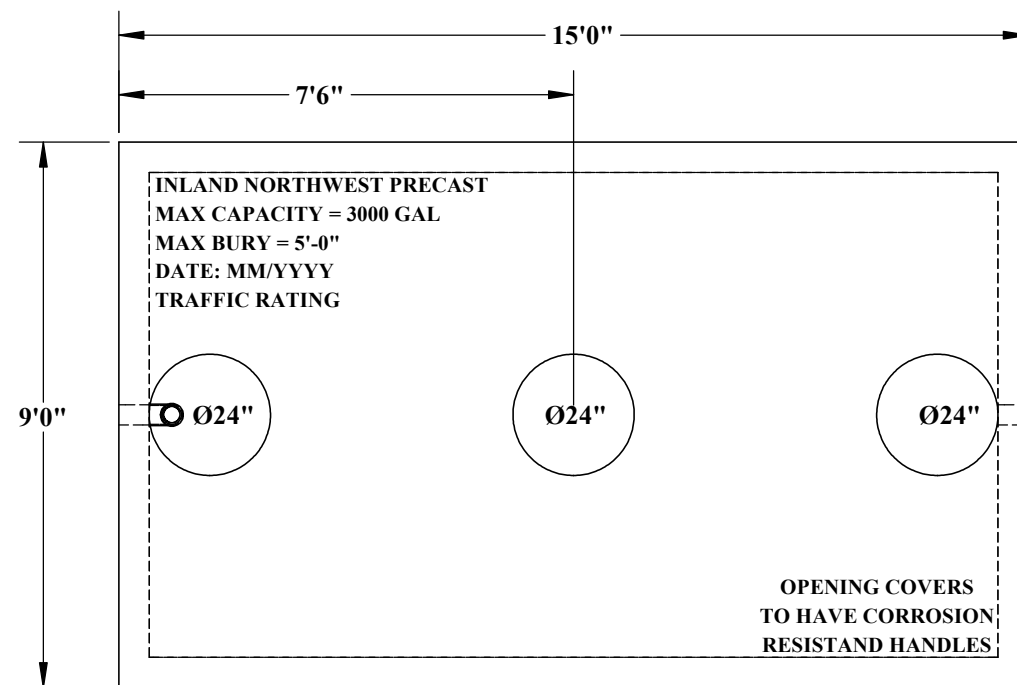




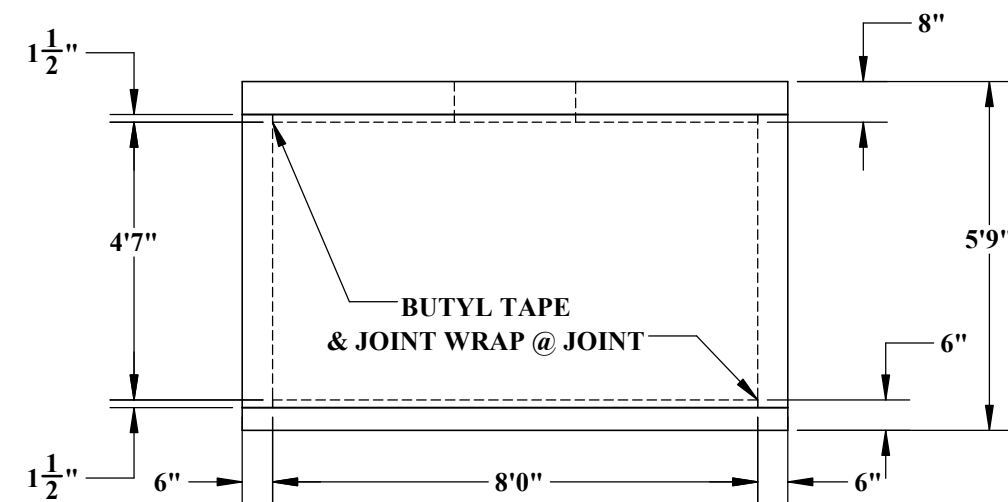
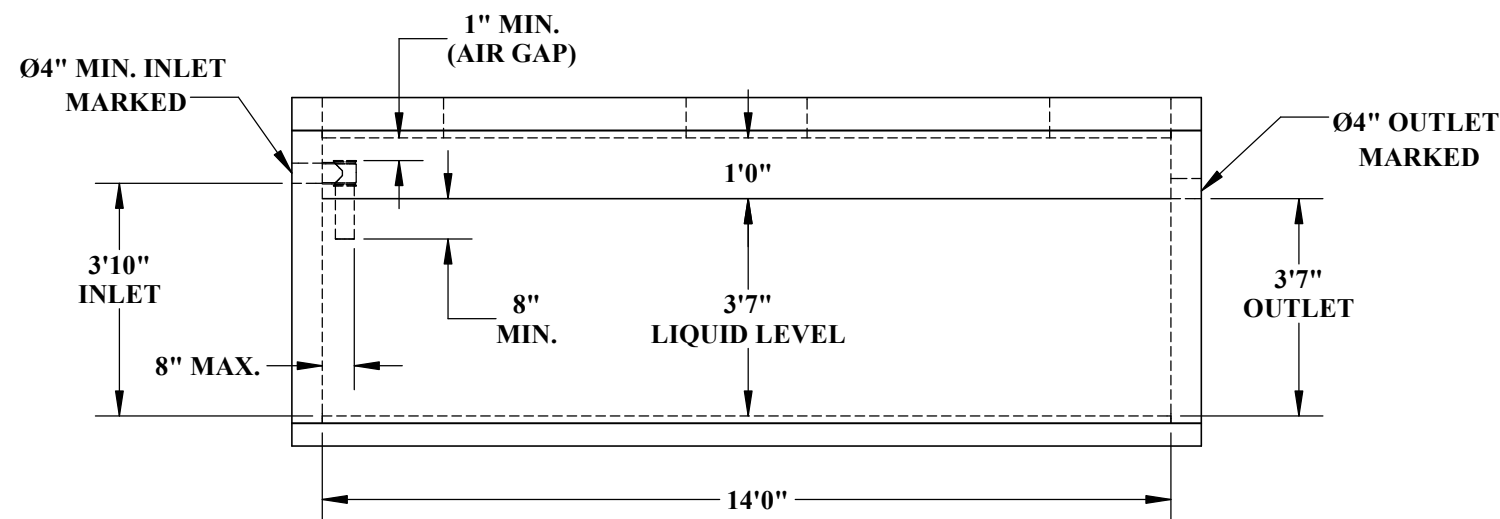
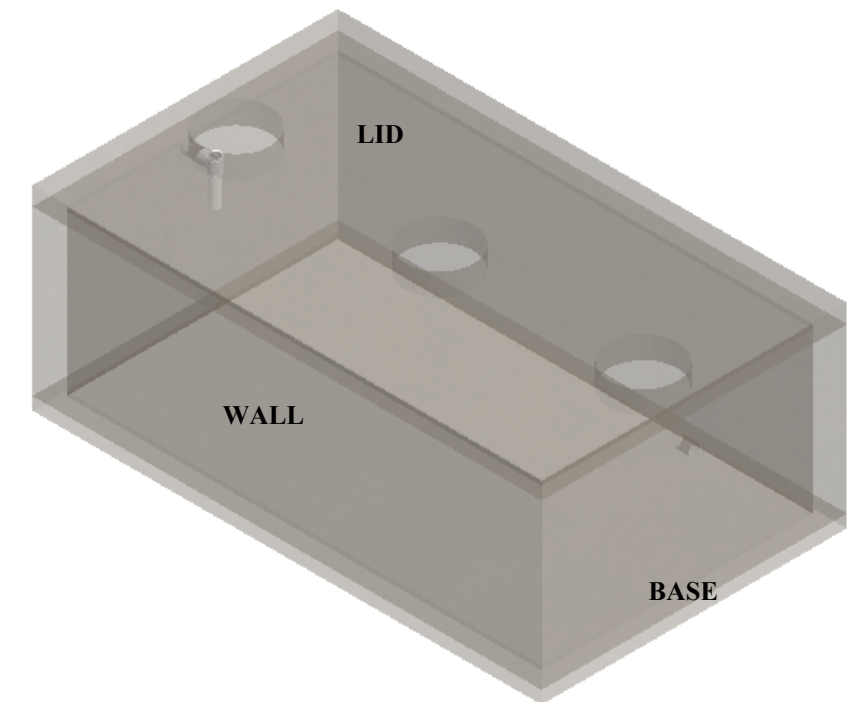
3,000 GALLON SINGLE COMPARTMENT TANK

*CONCRETE
5,000 PSI MIN.



WEIGHTS:

- ~ LID - 12,125# (2.99 CU/YDS)
- ~ WALL - 16,675# (4.12 CU/YDS)
- ~ BASE - 9,695# (2.39 CU/YDS)



5204 NORTH STARR RD
NEWMAN LAKE, WA 99025
(509) 226-5050
www.inwprecast.com



REINFORCEMENT

- ~ LID
SHORT - #5 BAR @ 6" O.C.
LONG - #5 BAR @ 12" O.C.
OPENINGS - (4) #5 DIAGONAL BARS, TYP., & #4 BAR x 30 @ 12" O.C.
- ~ WALL
HORIZONTAL - #4 BAR @ 12" O.C.
VERTICAL - #4 BAR @ 6" O.C.
- ~ BASE - #4 BAR @ 9" O.C.E.W.

INLAND NORTHWEST PRECAST
IDAHO & WASHINGTON
*ENGINEERING AVAILABLE UPON REQUEST