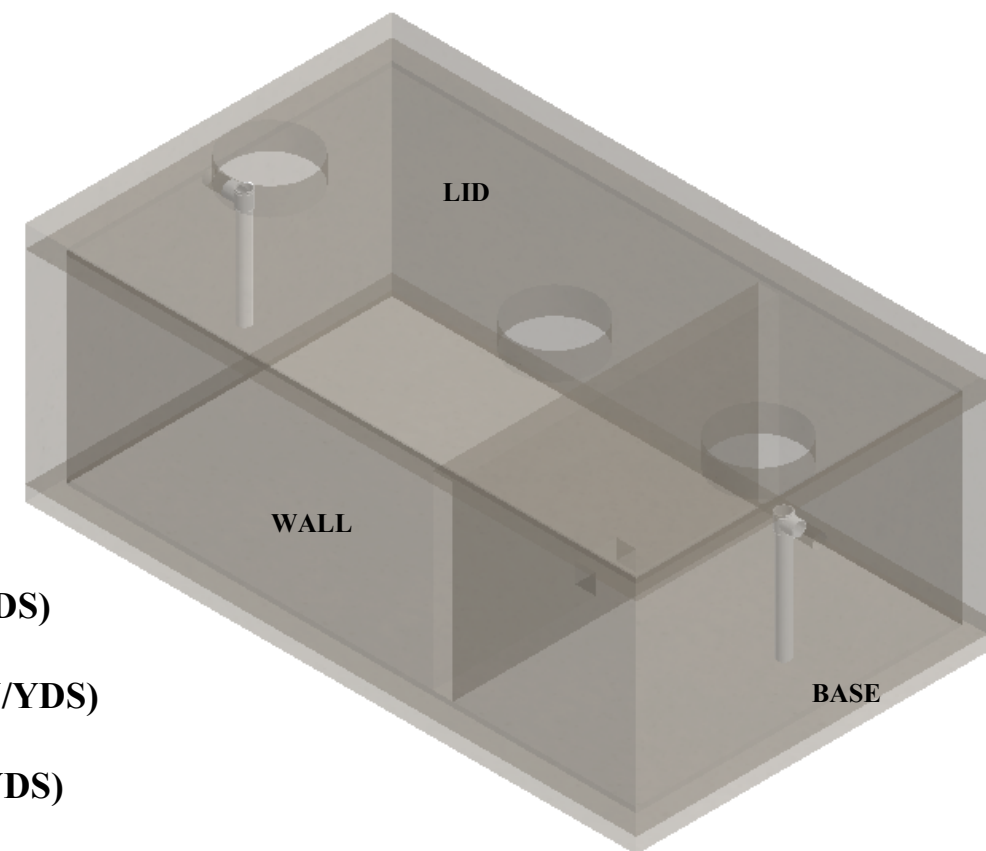
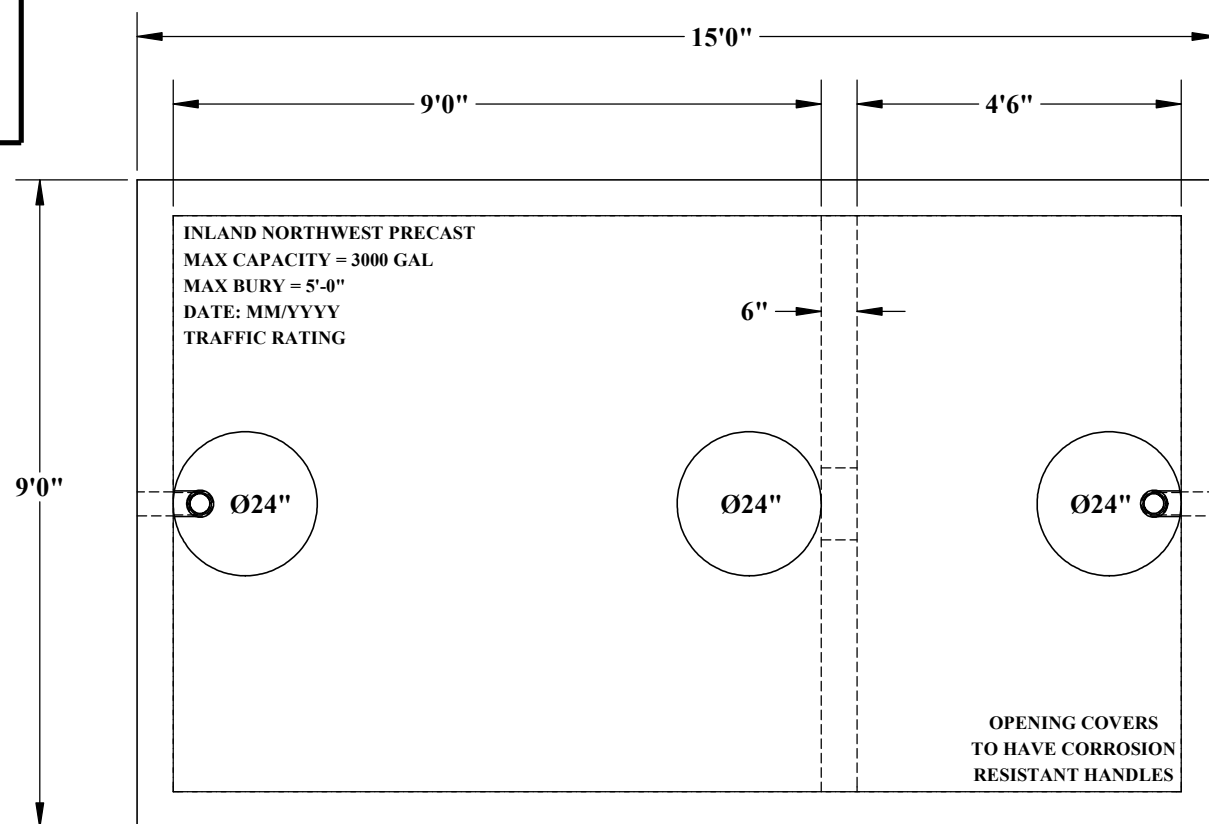




3,000 GALLON GREASE INTERCEPTOR

*CONCRETE
5,000 PSI MIN.

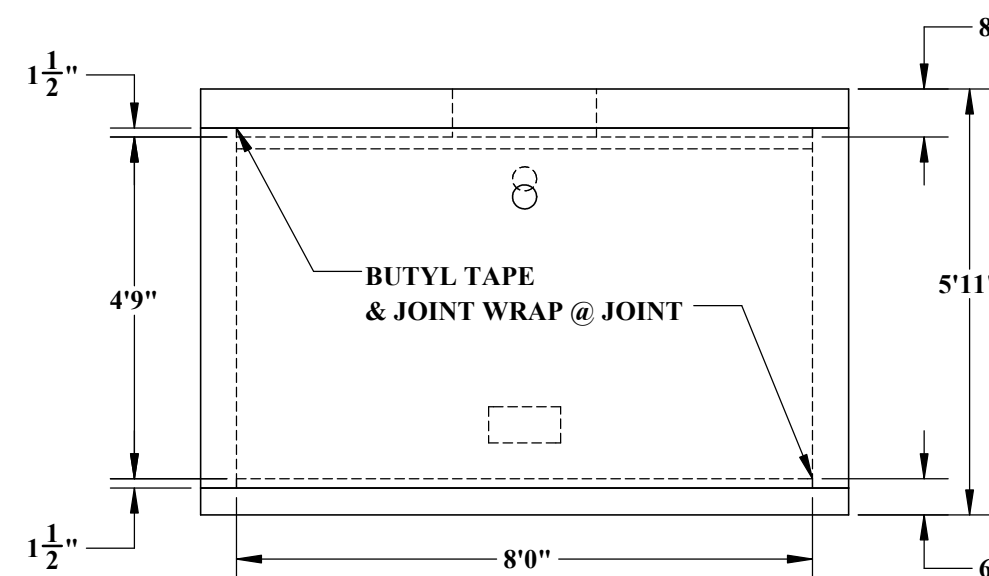
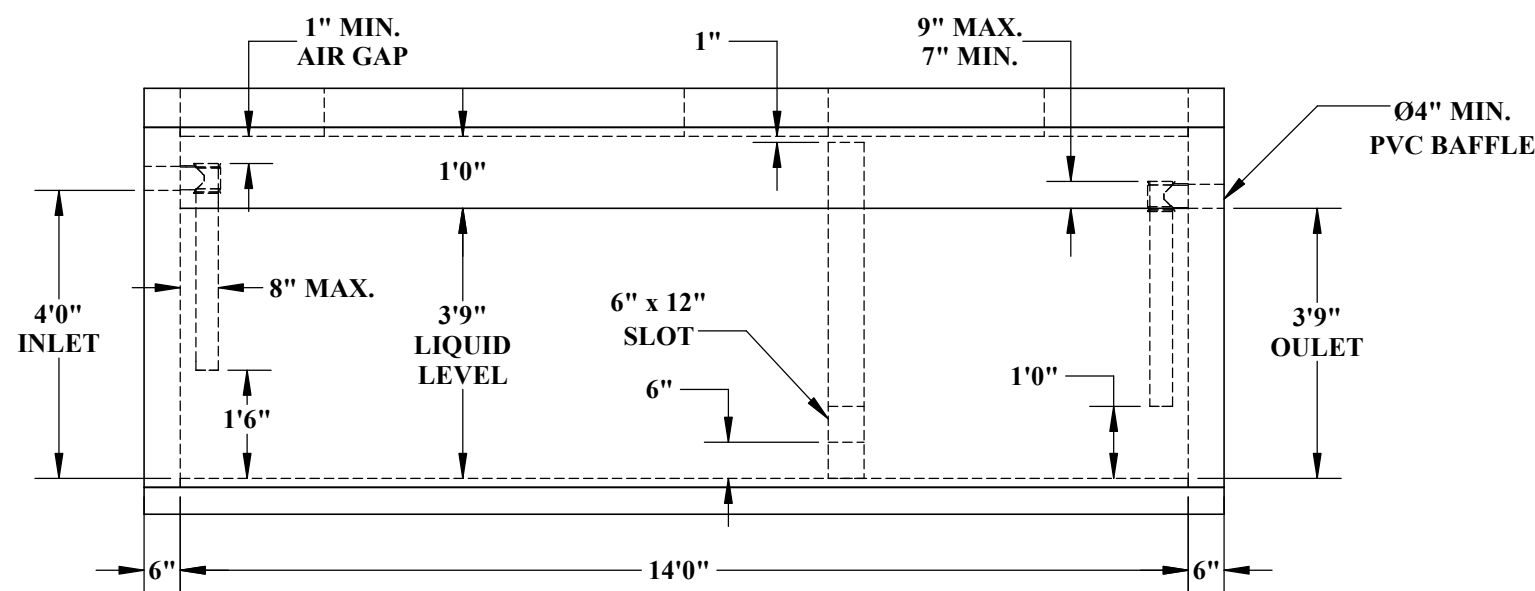


WEIGHTS:

~ LID - 12,125# (2.99 CU/YDS)

~ WALL - 20,000# (4.94 CU/YDS)

~ BASE - 9,695# (2.39 CU/YDS)



5204 NORTH STARR RD
NEWMAN LAKE, WA 99025
(509) 226-5050
www.inwprecast.com



REINFORCEMENT

~ LID	~ WALL
SHORT - #5 BAR @ 6" O.C.	SHORT - #4 BAR @ 12" O.C. HORIZONTAL
LONG - #5 BAR @ 12" O.C.	LONG - #4 BAR @ 6" O.C. VERTICAL
OPENINGS - (4) #5 DIAGONAL BARS, TYP.	
~ BAFFLE WALL	
SHORT - #4 BAR @ 12" O.C.	
LONG - #4 BAR @ 7" O.C.	
~ BASE - #4 BAR @ 8" O.C.E.W.	

INLAND NORTHWEST PRECAST
IDAHO & WASHINGTON
*ENGINEERING AVAILABLE UPON REQUEST