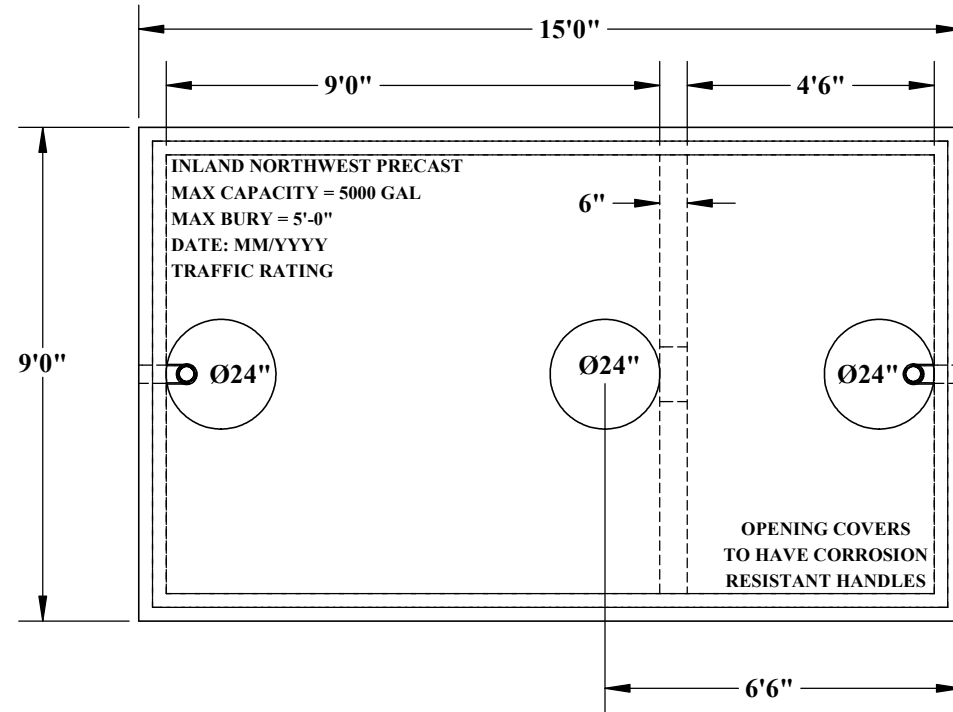




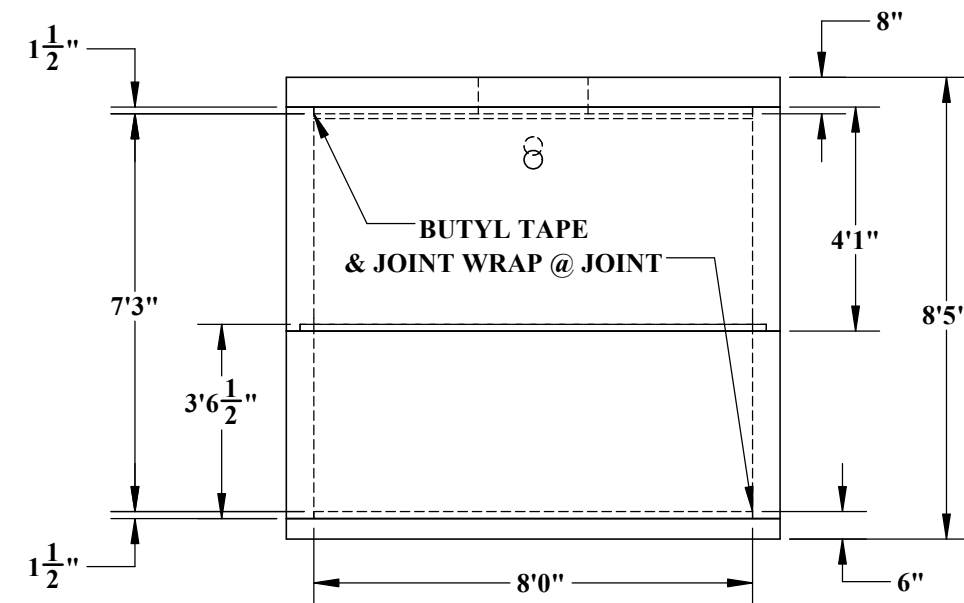
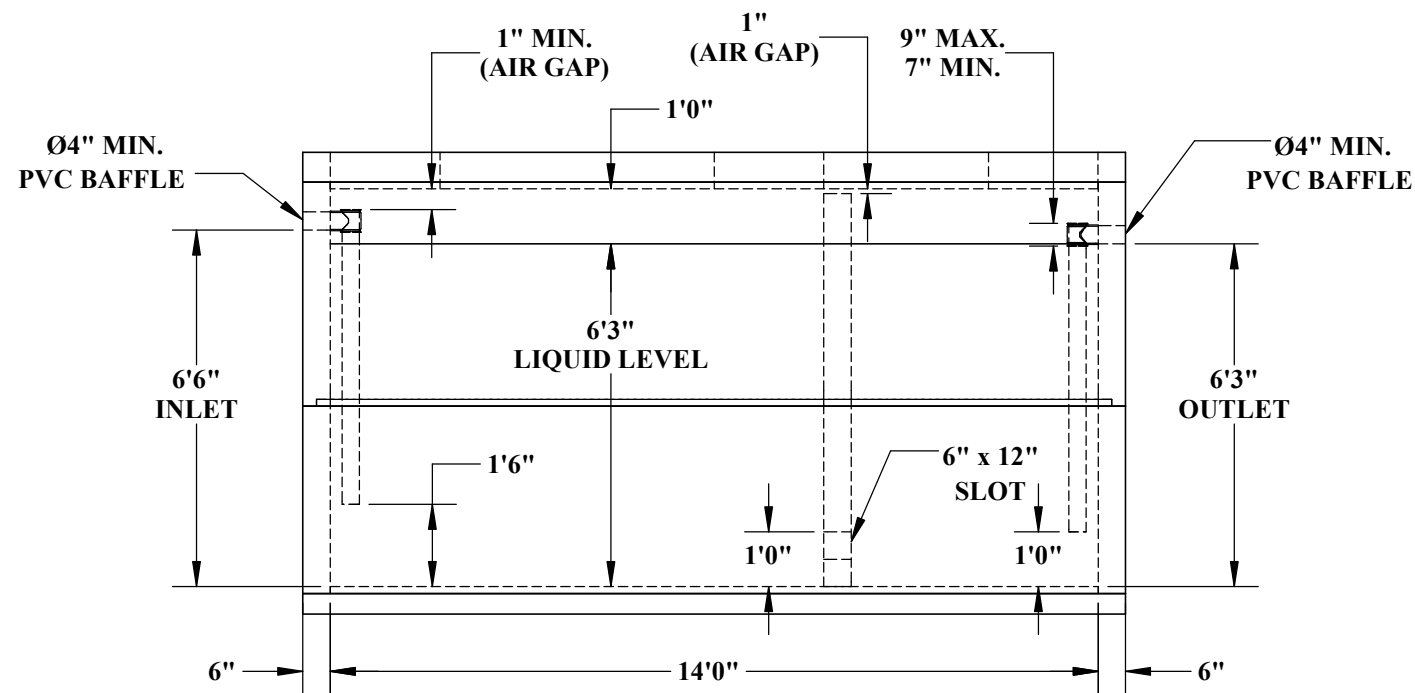
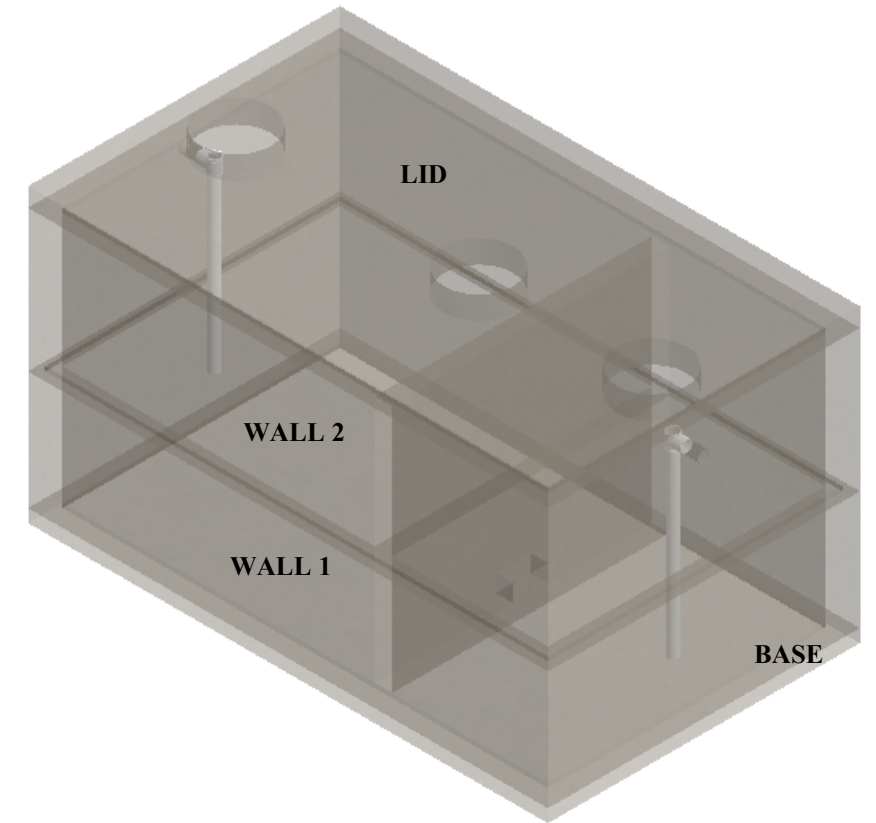
# 5,000 GALLON GREASE INTERCEPTOR

\*CONCRETE  
5,000 PSI MIN.



### WEIGHTS:

- ~ LID - 12,125# (2.99 CU/YDS)
- ~ WALL 2 - 16,100# (3.98 CU/YDS)
- ~ WALL 1 - 14,050# (3.47 CU/YDS)
- ~ BASE - 9,695# (2.39 CU/YDS)



5204 NORTH STARR RD  
NEWMAN LAKE, WA 99025  
(509) 226-5050  
www.inwprecast.com



### REINFORCEMENT

~ LID SHORT - #5 BAR @ 6" O.C. LONG - #5 BAR @ 12" O.C. OPENINGS - (4) #5 DIAGONAL BARS, TYP.	~ WALL 1 SHORT - #4 BAR @ 10" O.C. LONG - #5 BAR @ 5" O.C.
~ BAFFLE WALL SHORT - #4 BAR @ 12" O.C. LONG - #4 BAR @ 7" O.C.	~ WALL 2 SHORT - #4 BAR @ 12" O.C. LONG - #5 BAR @ 8" O.C.
~ BASE - #4 BAR @ 8" O.C.E.W.	

INLAND NORTHWEST PRECAST  
IDAHO & WASHINGTON  
\*ENGINEERING AVAILABLE UPON REQUEST