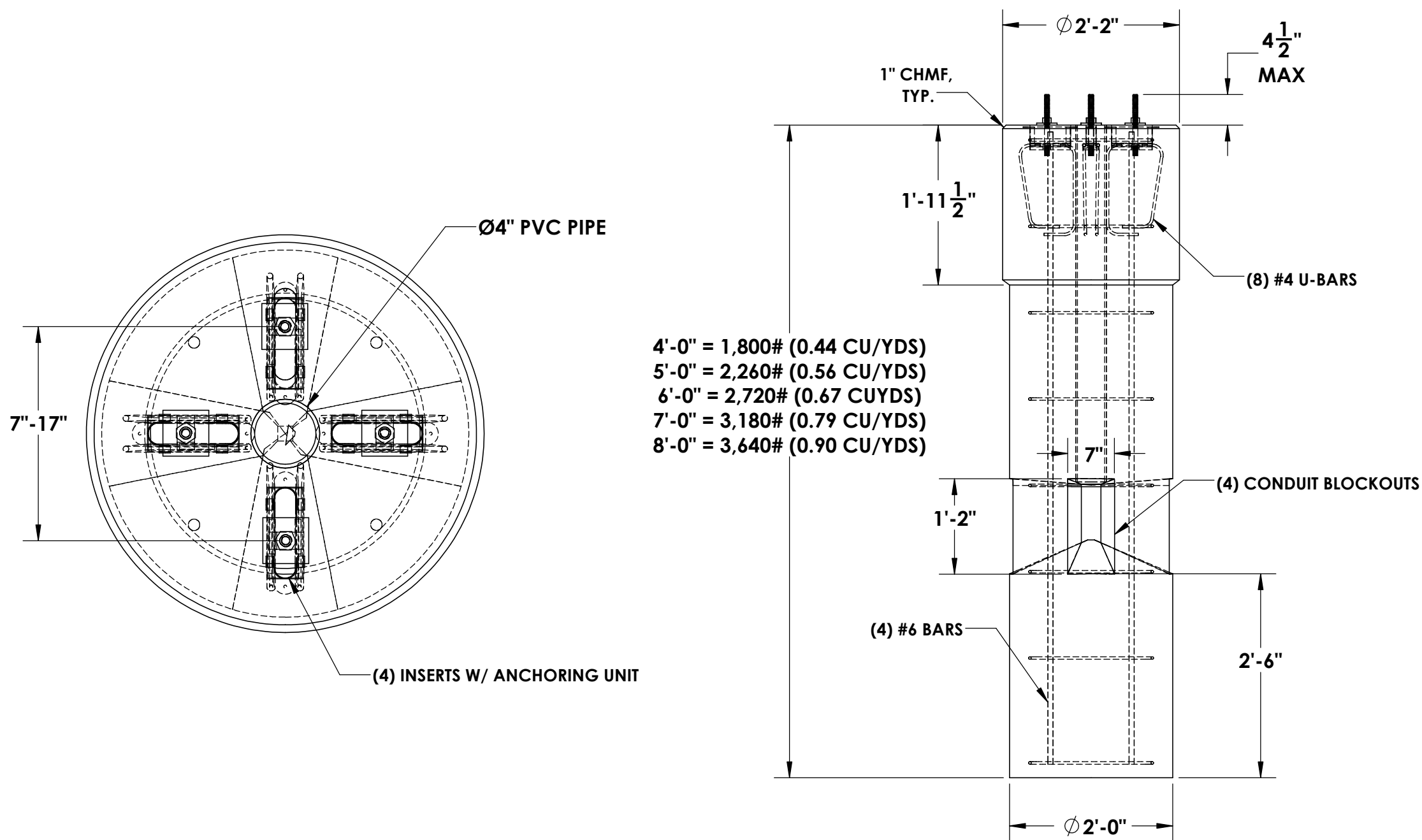




LIGHT POLE BASE - CLASSIC



CONCRETE:
5,000 PSI MINIMUM



5204 NORTH STARR RD PO BOX 610
NEWMAN LAKE, WA 99025
(509) 226-5050
www.inwprecast.com

