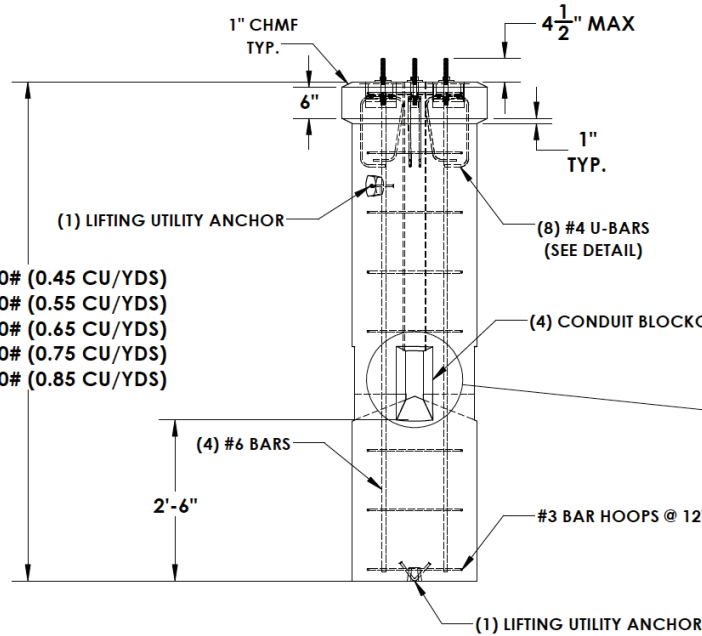
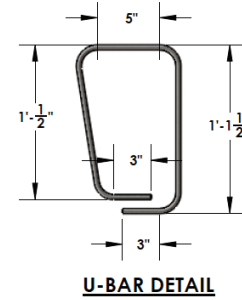
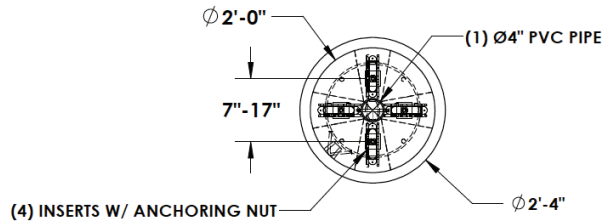
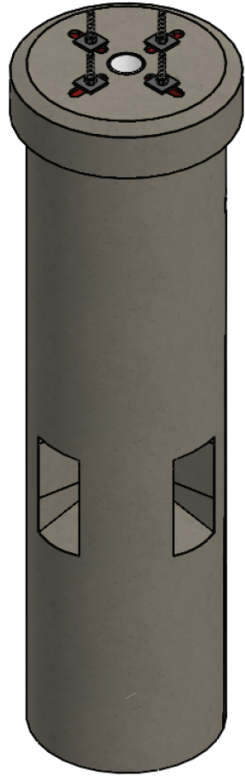
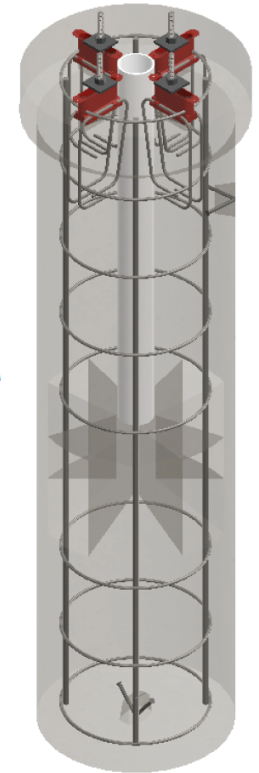
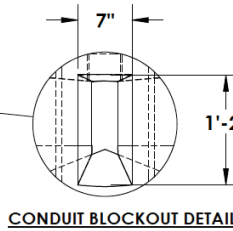


# LIGHT POLE BASE - FLARED



4'-0" = 1,810# (0.45 CU/YDS)  
 5'-0" = 2,240# (0.55 CU/YDS)  
 6'-0" = 2,670# (0.65 CU/YDS)  
 7'-0" = 3,100# (0.75 CU/YDS)  
 8'-0" = 3,530# (0.85 CU/YDS)

**CONCRETE:**  
 5,000 PSI MINIMUM



© INLAND NORTHWEST PRECAST



# INLAND NORTH WEST PRECAST

5516 NORTH STARR RD PO BOX 610, NEWMAN LAKE, WA 99025 (509) 226-5050 ~ www.inwprecast.com

