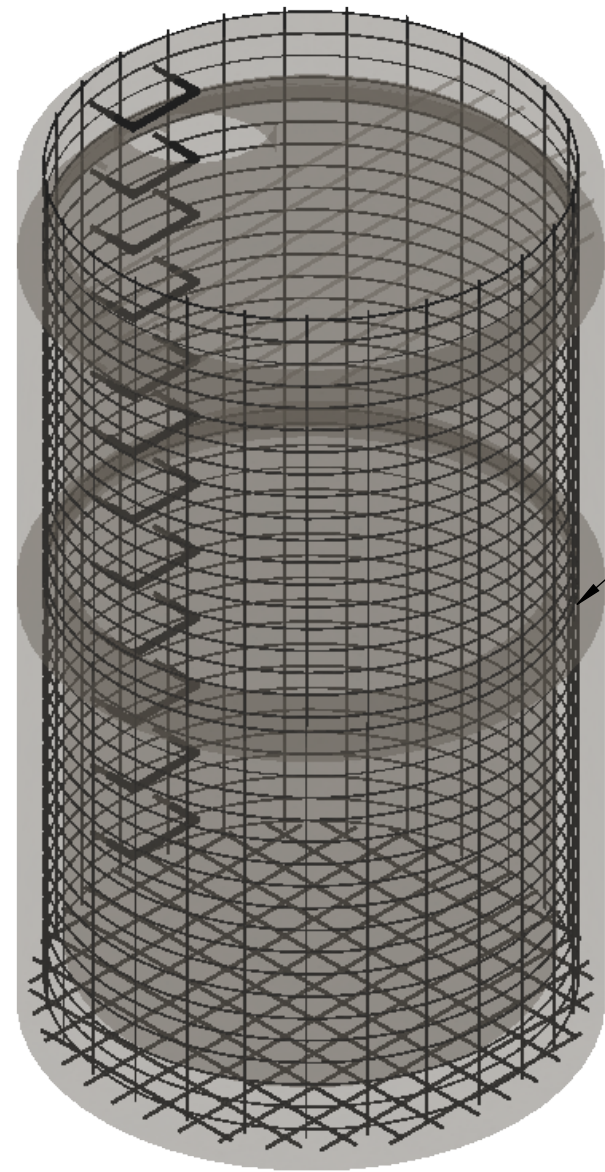


Ø120" MANHOLE

CONCRETE:
4,000 PSI MIN. @ 28 DAYS

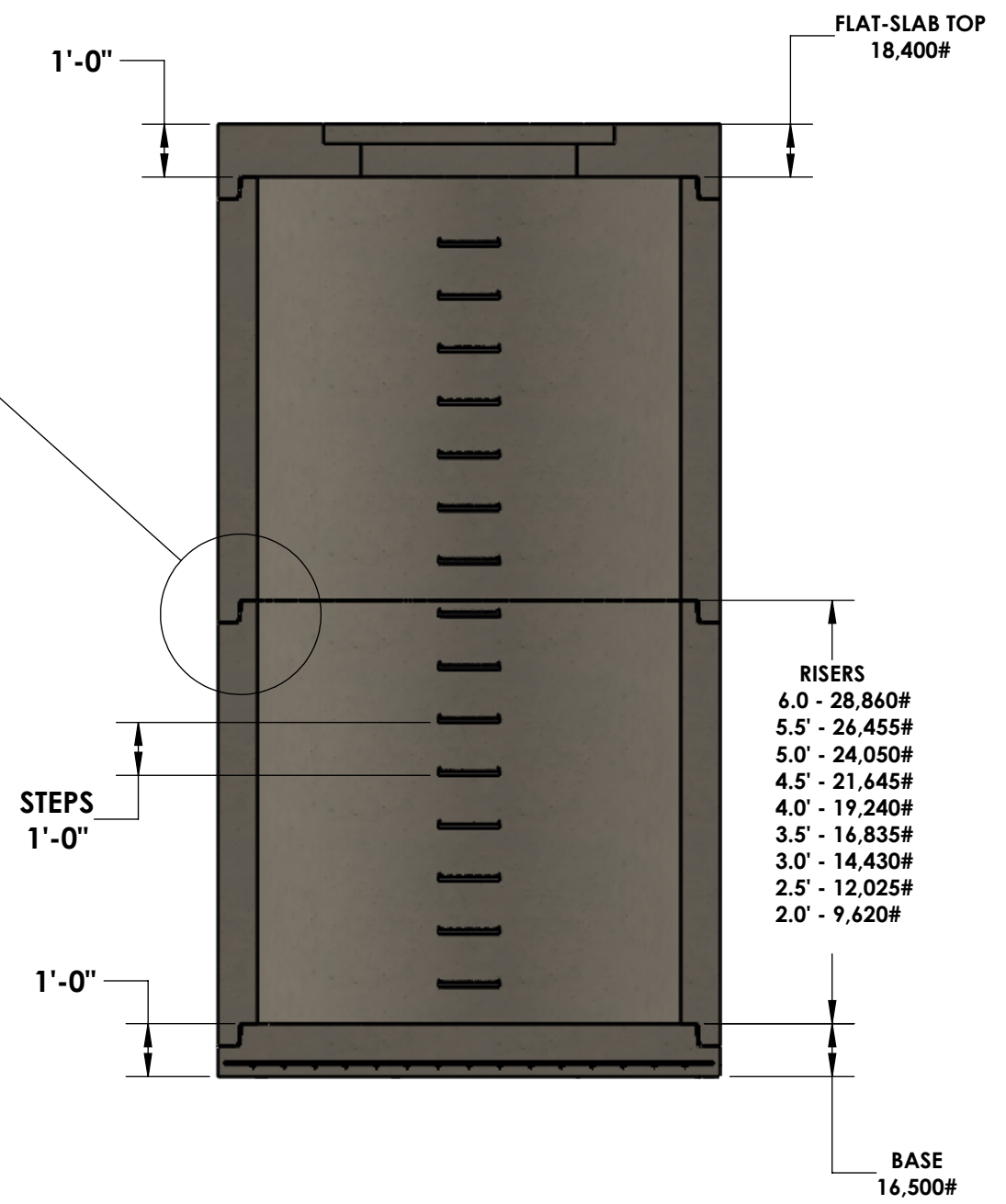
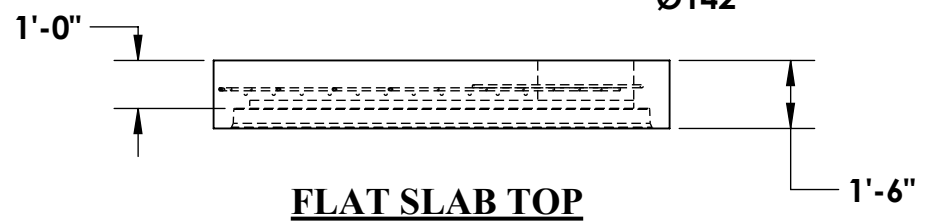
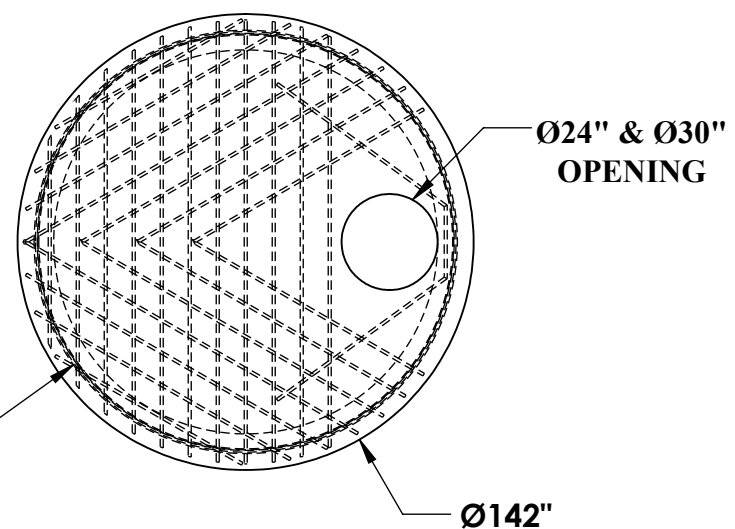
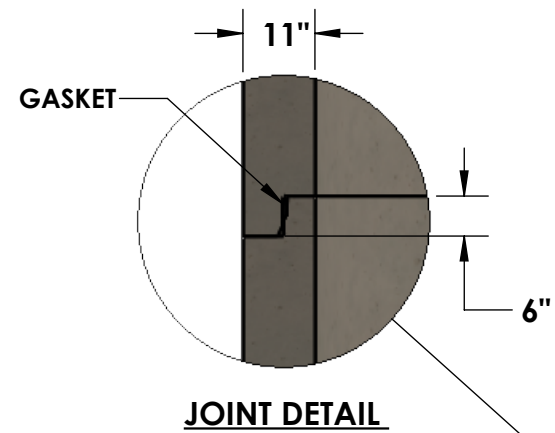
ROUND ADJUSTMENT RINGS:
AVAILABLE UPON REQUEST

CAST-IRON:
AVAILABLE UPON REQUEST



PF 2x8 W2.5/W1.7
THROUGHOUT

#6 BARS @ 7"
SPACING FOR
FST AND BASE



© INLAND NORTHWEST PRECAST



5204 NORTH STARR RD PO BOX 610
NEWMAN LAKE, WA 99025
(509) 226-5050
www.inwprecast.com



MANHOLES MEET OR EXCEED WSDOT STANDARD B-15.20 AND IS CONSTRUCTED IN ACCORDANCE WITH THE REQUIREMENTS OF ASTM C478, AASHTO M-199, & ASTM C443