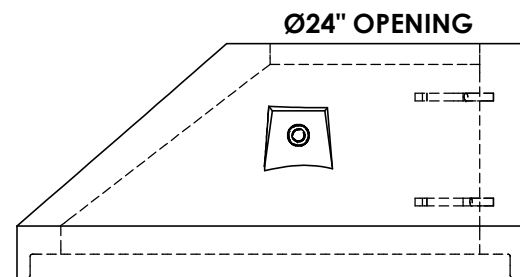
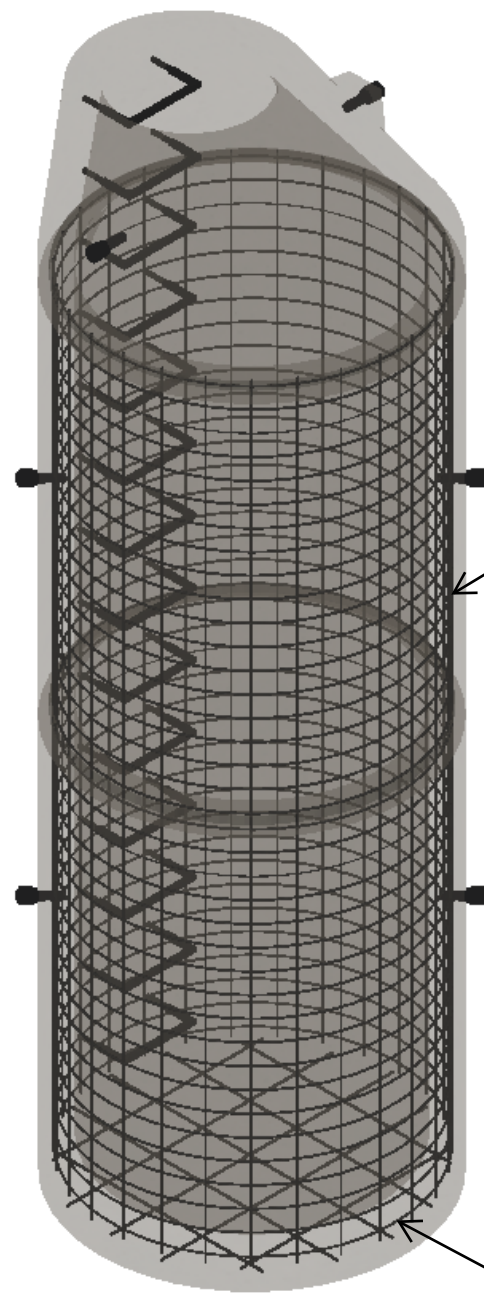
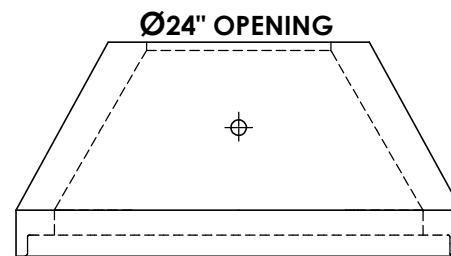




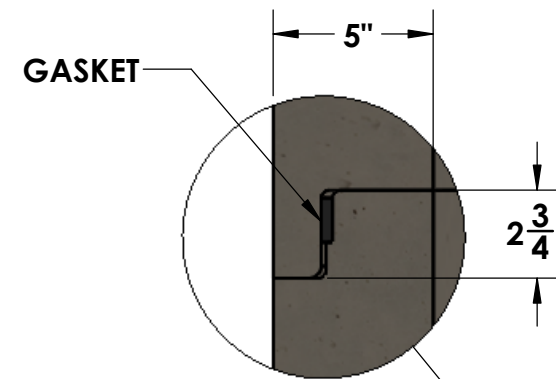
Ø48" MANHOLE



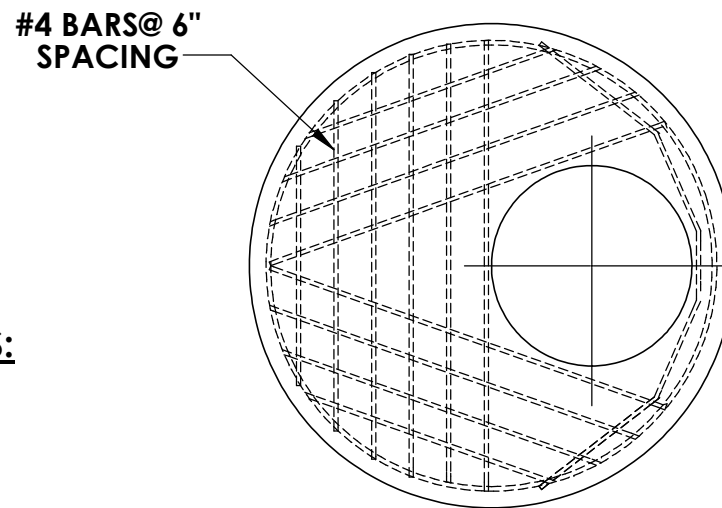
ECCENTRIC CONE
3' - 2,200#
2' - 1,600#



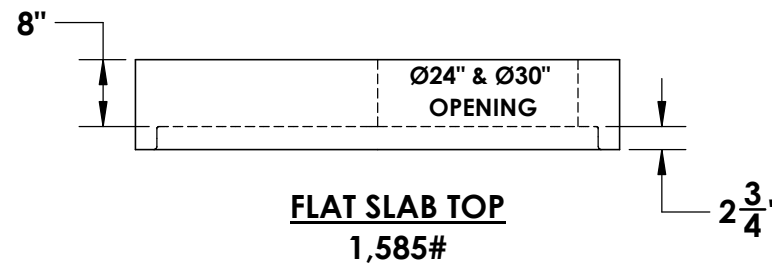
CONCENTRIC CONE
3' - 2,025#
* 2' CONCENTRIC DRYWELL
CONE w/ 4" WALLS AVAILABLE



JOINT DETAIL

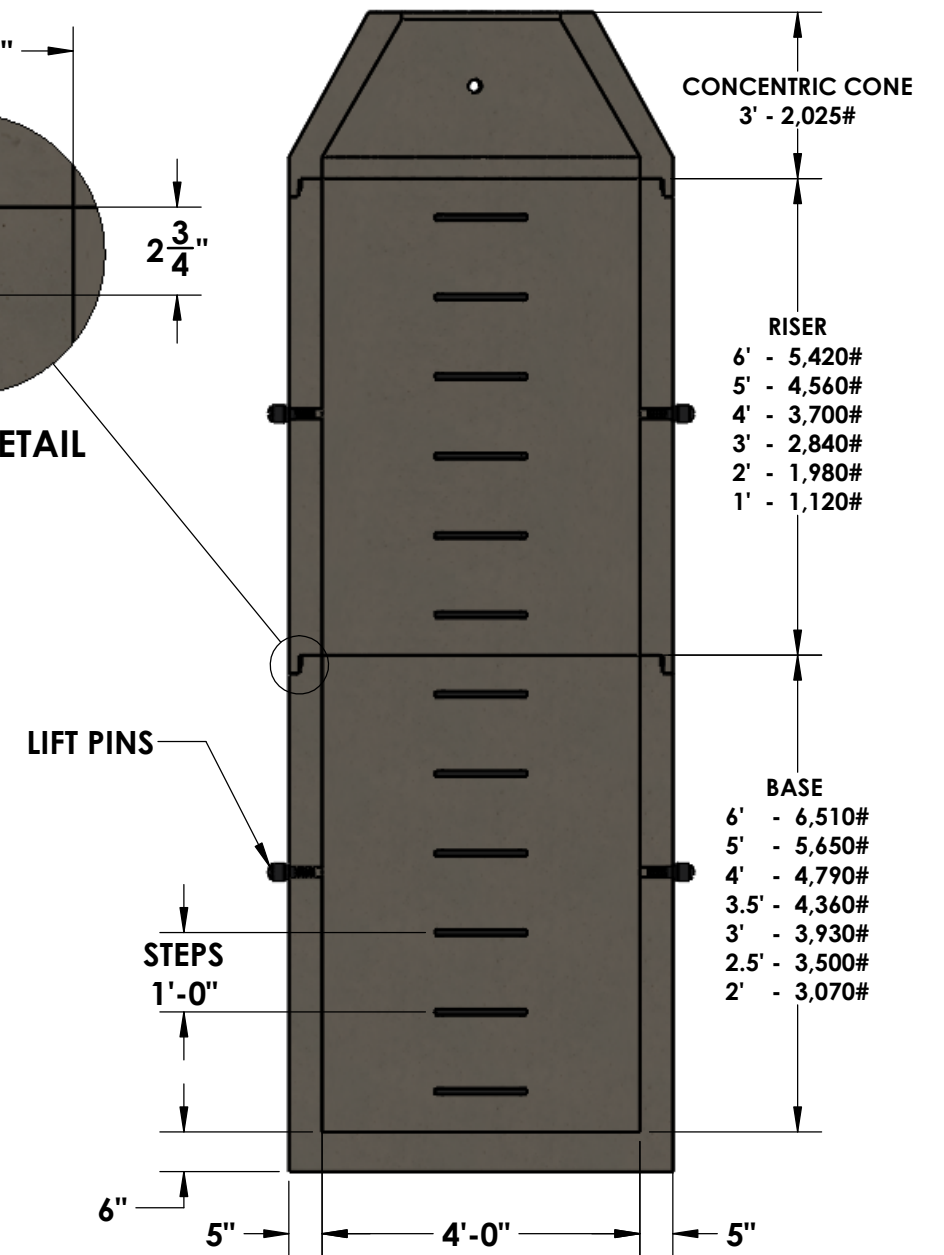


#4 BARS@ 6" SPACING



FLAT SLAB TOP
1,585#

*FLAT SLAB TOPS AND BASE SLABS ARE DESIGNED FOR AASHTO HS-20 WHEEL LOADING



CONCENTRIC CONE
3' - 2,025#

RISER
6' - 5,420#
5' - 4,560#
4' - 3,700#
3' - 2,840#
2' - 1,980#
1' - 1,120#

BASE
6' - 6,510#
5' - 5,650#
4' - 4,790#
3.5' - 4,360#
3' - 3,930#
2.5' - 3,500#
2' - 3,070#

PF 4x8 W4/W1.7
WIRE MESH
THROUGHOUT

CONCRETE:
4,000 PSI MIN. @ 28 DAYS

ROUND ADJUSTMENT RINGS:
AVAILABLE UPON REQUEST

CAST-IRON:
AVAILABLE UPON REQUEST

PRECAST CHANNELS:
AVAILABLE UPON REQUEST

SF 4X4 W5/W5 WIRE MESH
IN FLOOR OF BASE

© INLAND NORTHWEST PRECAST

5204 NORTH STARR RD PO BOX 610
NEWMAN LAKE, WA 99025
(509) 226-5050
www.inwprecast.com



MANHOLES MEET OR EXCEED WSDOT STANDARD B-15.20 AND IS CONSTRUCTED IN ACCORDANCE WITH THE REQUIREMENTS OF ASTM C478, AASHTO M-199, ASTM C497 & ASTM C443