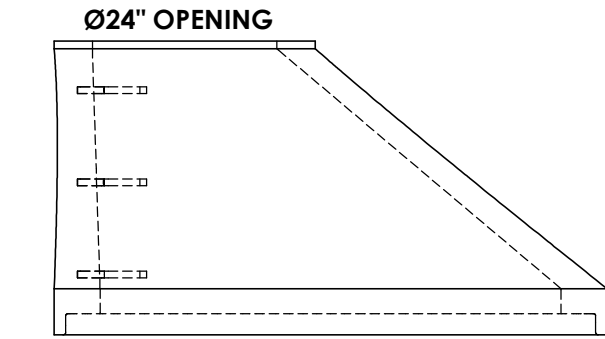
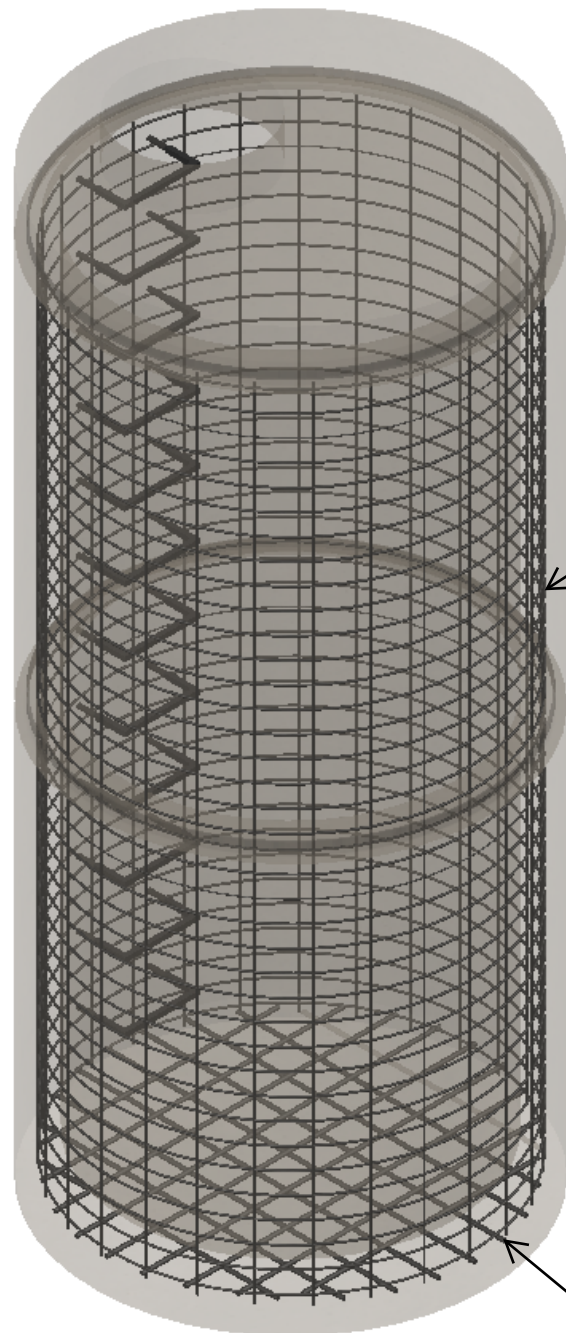




Ø60" MANHOLE



ECCENTRIC CONE
2,600#

PF 4x8 W4/W1.7
WIRE MESH
THROUGHOUT

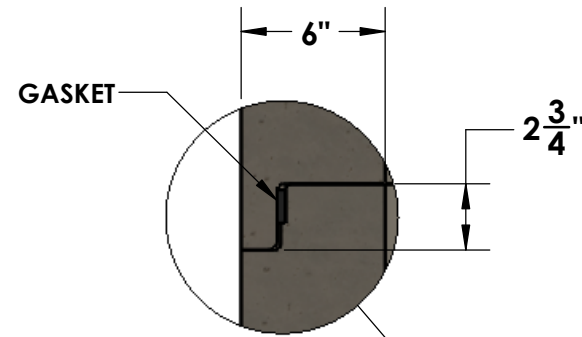
CONCRETE:
4,000 PSI MIN. @ 28 DAYS

ROUND ADJUSTMENT RINGS:
AVAILABLE UPON REQUEST

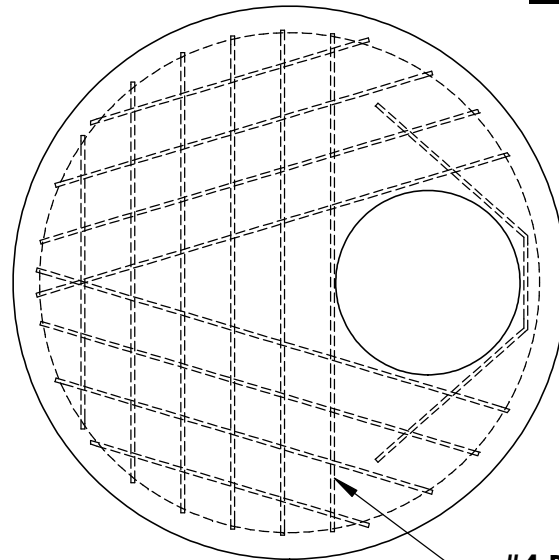
CAST-IRON
AVAILABLE UPON REQUEST

PRECAST CHANNELS:
AVAILABLE UPON REQUEST

SF 4x4 W5/W5 WIRE
MESH IN BASE OF
FLOOR



JOINT DETAIL



#4 BARS @ 6" SPACING

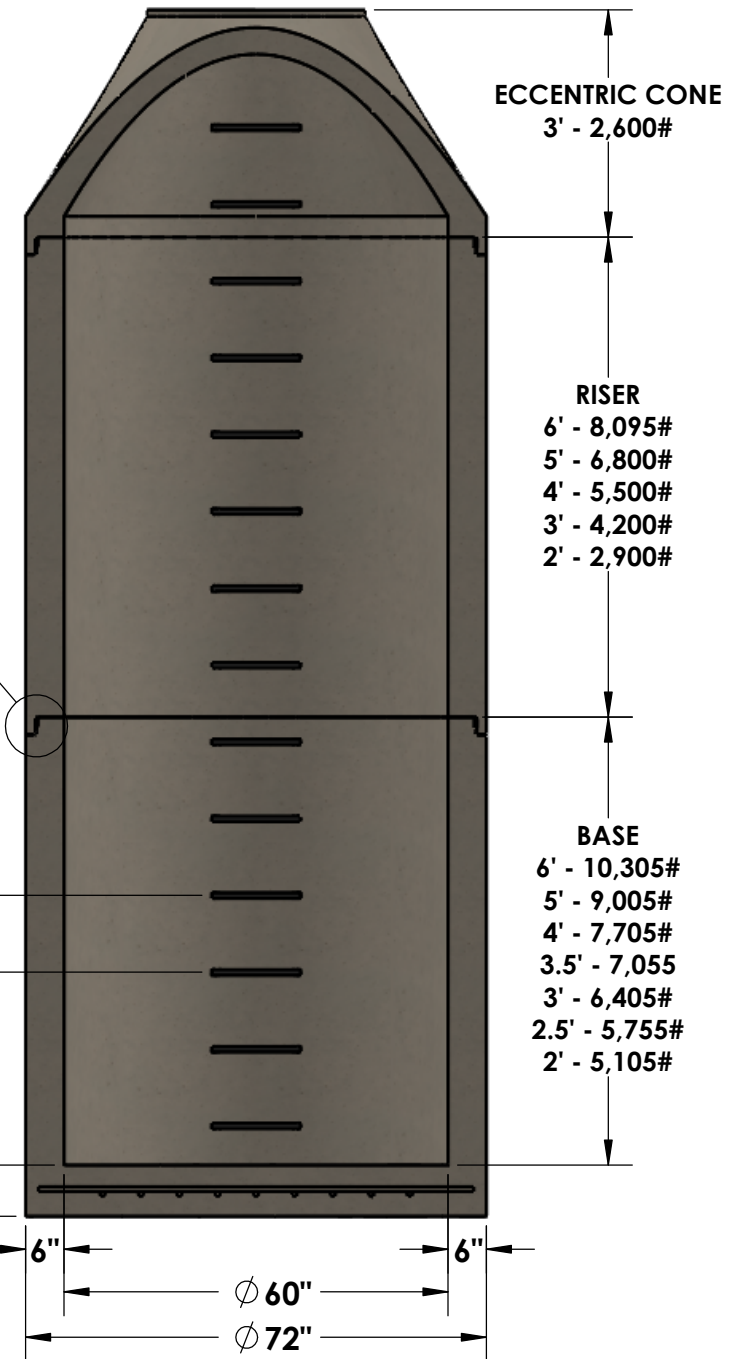


FLAT SLAB TOP
2,690#

STEPS
1'-0"

8"

8"



ECCENTRIC CONE
3' - 2,600#

RISER
6' - 8,095#
5' - 6,800#
4' - 5,500#
3' - 4,200#
2' - 2,900#

BASE
6' - 10,305#
5' - 9,005#
4' - 7,705#
3.5' - 7,055#
3' - 6,405#
2.5' - 5,755#
2' - 5,105#

© INLAND NORTHWEST PRECAST

5204 NORTH STARR RD PO BOX 610
NEWMAN LAKE, WA 99025

(509) 226-5050

www.inwprecast.com



MANHOLES MEET OR EXCEED WSDOT STANDARD B-15.20 AND IS CONSTRUCTED IN ACCORDANCE WITH THE REQUIREMENTS OF ASTM C478, AASHTO M-199, & ASTM C443