



Ø72" MANHOLE

CONCRETE:

4,000 PSI MIN. @ 28 DAYS

ROUND ADJUSTMENT RINGS:

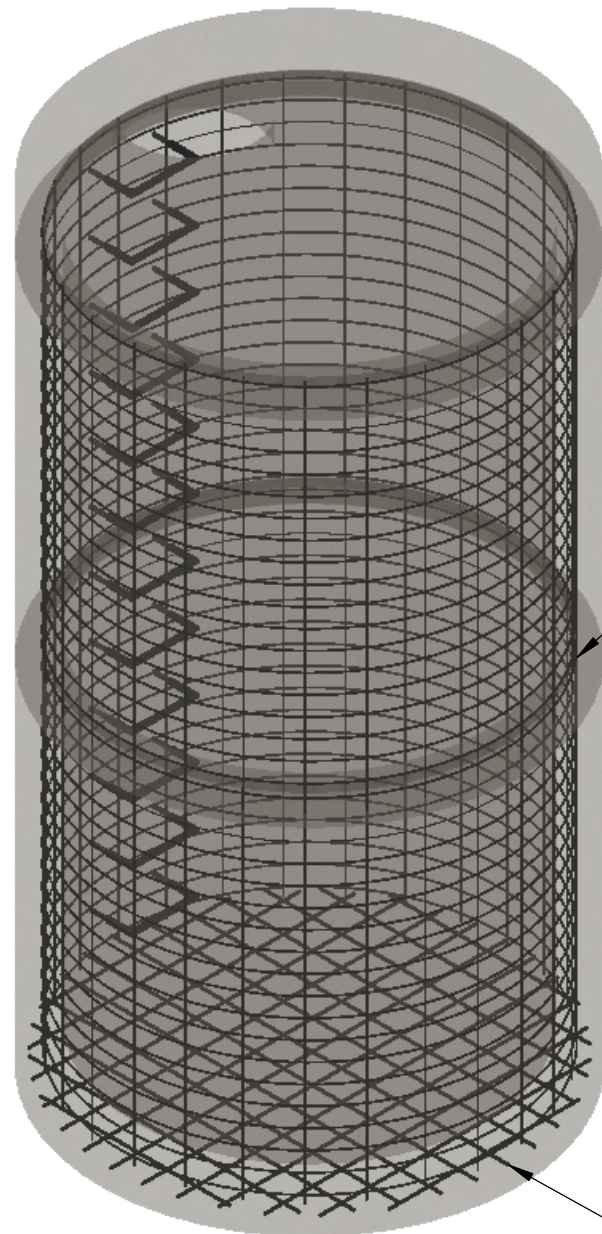
AVAILABLE UPON REQUEST

CAST-IRON:

AVAILABLE UPON REQUEST

PRECAST CHANNELS:

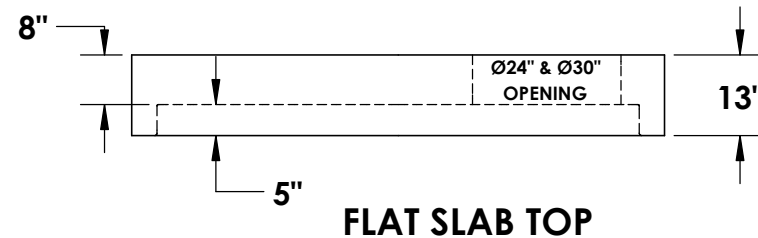
AVAILABLE UPON REQUEST



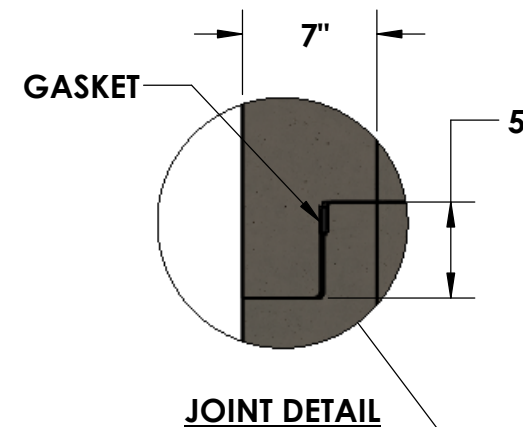
PF 2x8 W2.5/W1.7 THROUGHOUT

SF4x4 W5/W5 WIRE MESH IN FLOOR OF BASE

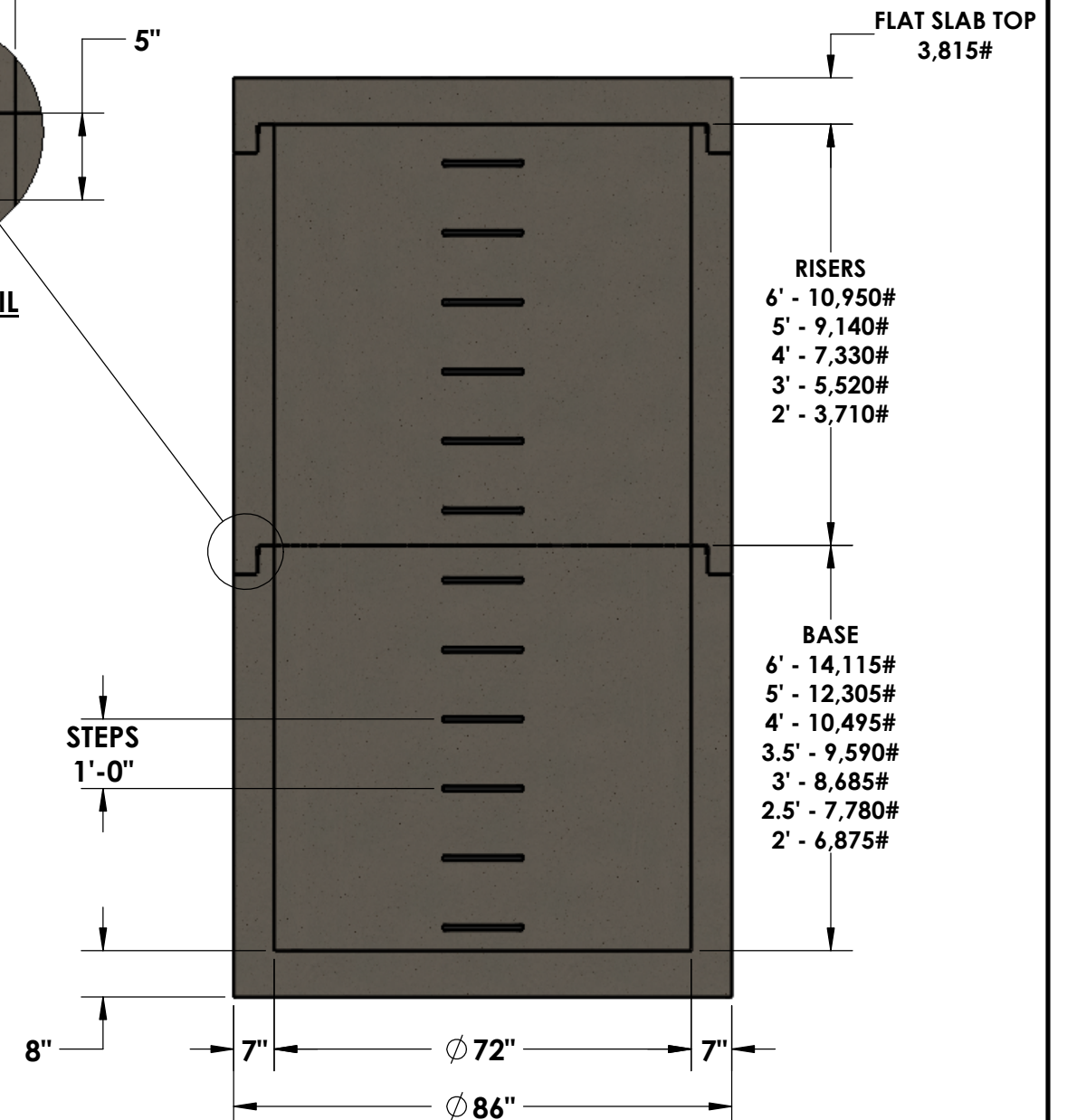
#5 BARS @ 6" SPACING



FLAT SLAB TOP



JOINT DETAIL



© INLAND NORTHWEST PRECAST

5204 NORTH STARR RD PO BOX 610
NEWMAN LAKE, WA 99025
(509) 226-5050
www.inwprecast.com



MANHOLES MEET OR EXCEED WSDOT STANDARD B-15.20 AND IS CONSTRUCTED IN ACCORDANCE WITH THE REQUIREMENTS OF ASTM C478, AASHTO M-199, & ASTM C443