



Ø96" MANHOLE

CONCRETE:

4,000 PSI MIN. @ 28 DAYS

ROUND ADJUSTMENT RINGS:

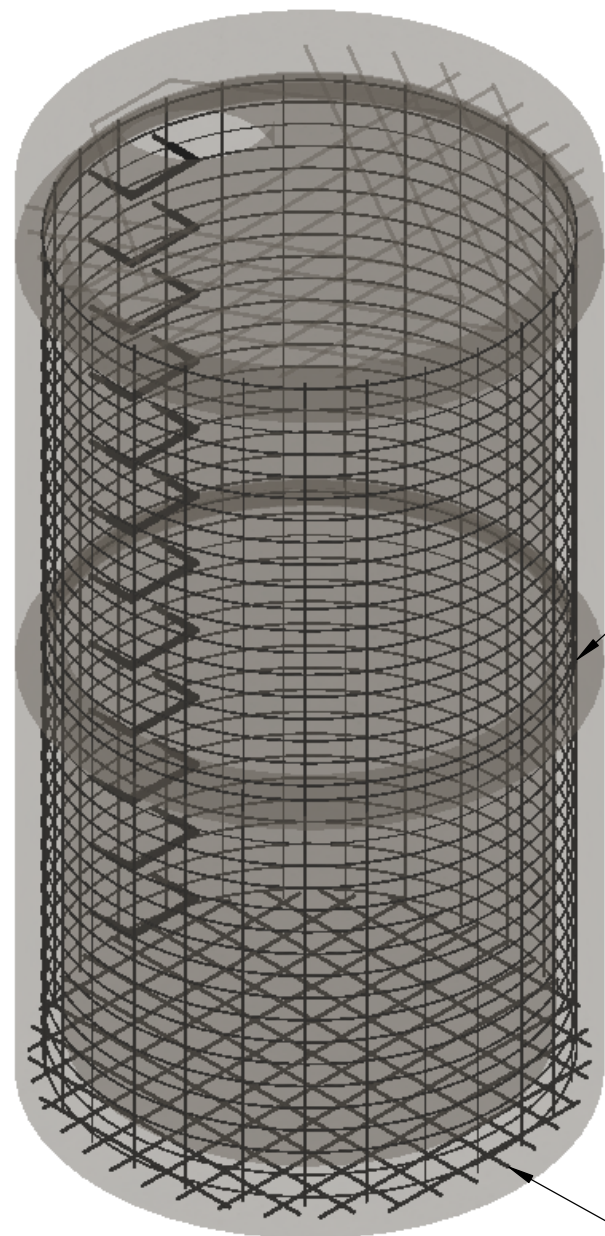
AVAILABLE UPON REQUEST

CAST-IRON:

AVAILABLE UPON REQUEST

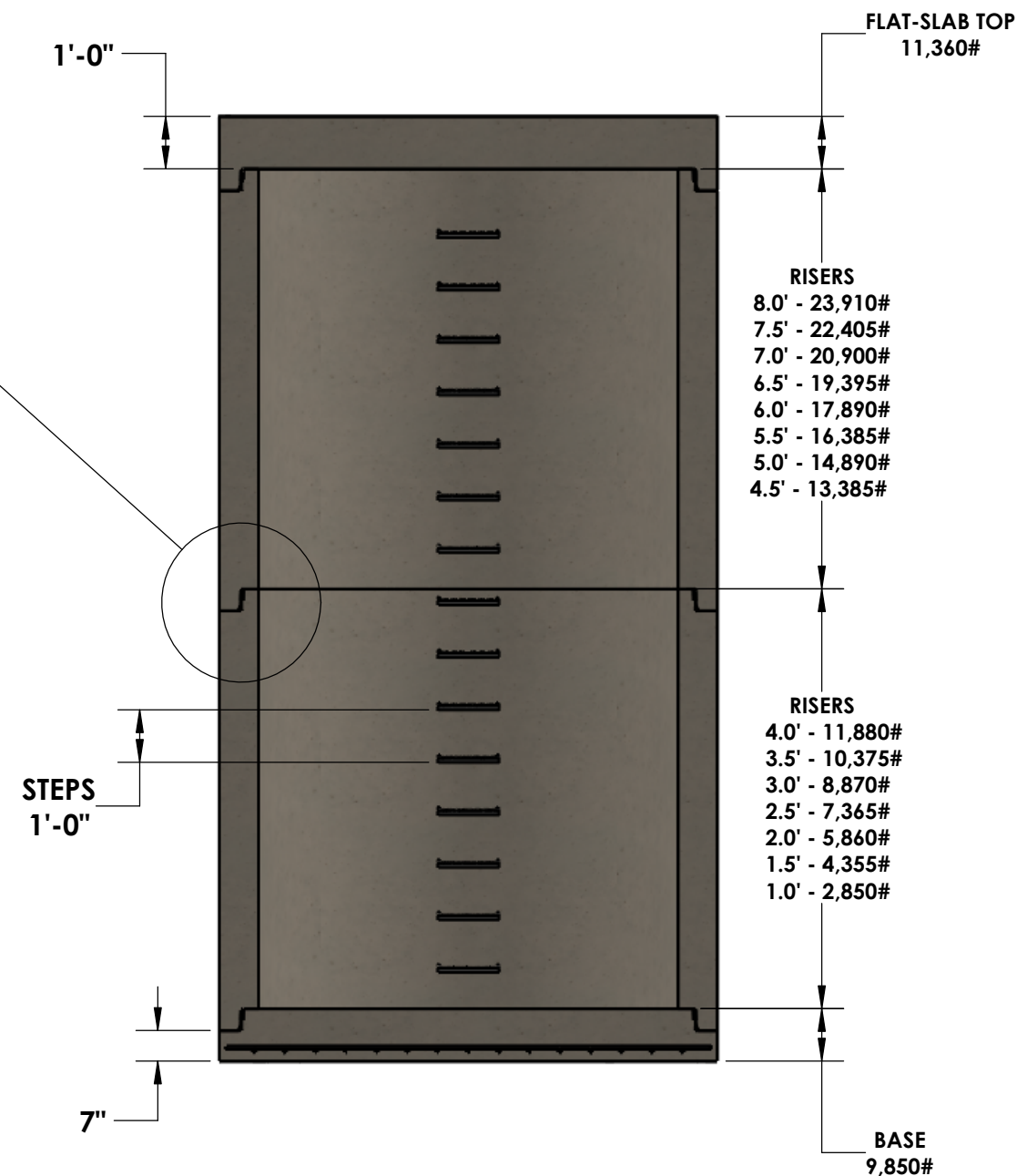
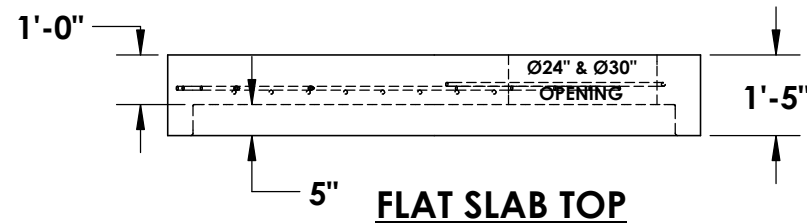
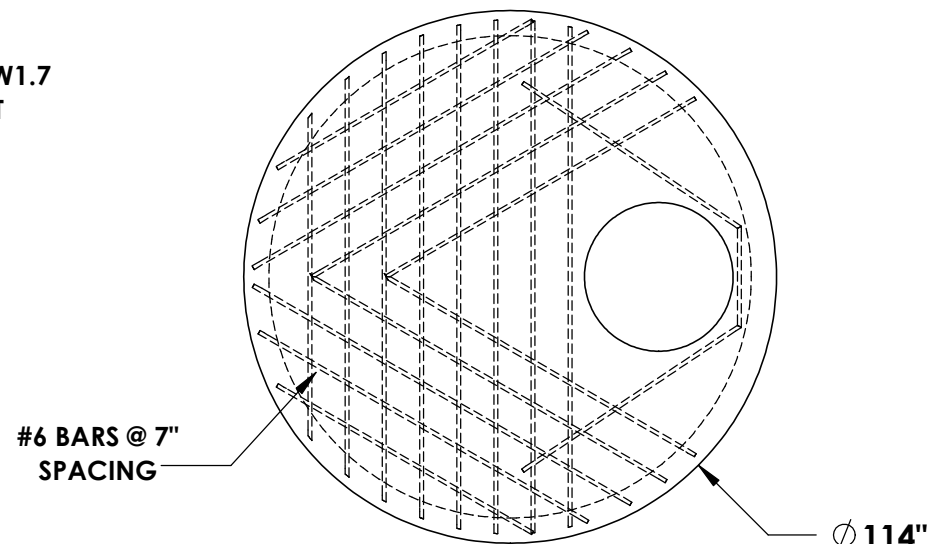
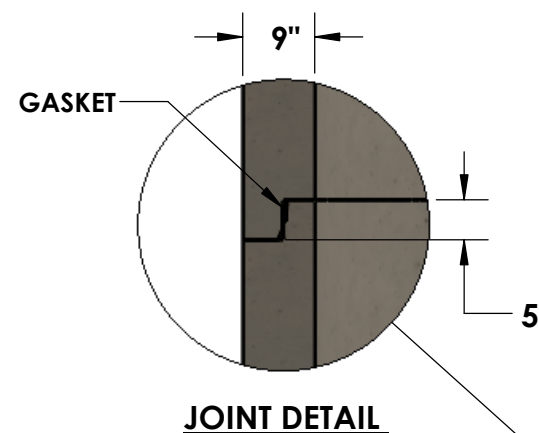
PRECAST CHANNELS:

AVAILABLE UPON REQUEST



PF 2x8 W2.5/W1.7
THROUGHOUT

SF4x4 W5/W5
WIRE MESH IN FLOOR
OF BASE



RISERS

- 8.0' - 23,910#
- 7.5' - 22,405#
- 7.0' - 20,900#
- 6.5' - 19,395#
- 6.0' - 17,890#
- 5.5' - 16,385#
- 5.0' - 14,890#
- 4.5' - 13,385#

RISERS

- 4.0' - 11,880#
- 3.5' - 10,375#
- 3.0' - 8,870#
- 2.5' - 7,365#
- 2.0' - 5,860#
- 1.5' - 4,355#
- 1.0' - 2,850#

FLAT-SLAB TOP
11,360#

BASE
9,850#

© INLAND NORTHWEST PRECAST

5204 NORTH STARR RD PO BOX 610
 NEWMAN LAKE, WA 99025
 (509) 226-5050
 www.inwprecast.com



MANHOLES MEET OR EXCEED WSDOT
 STANDARD B-15.20 AND IS
 CONSTRUCTED IN ACCORDANCE
 WITH THE REQUIREMENTS OF
 ASTM C478, AASHTO M-199,
 & ASTM C443