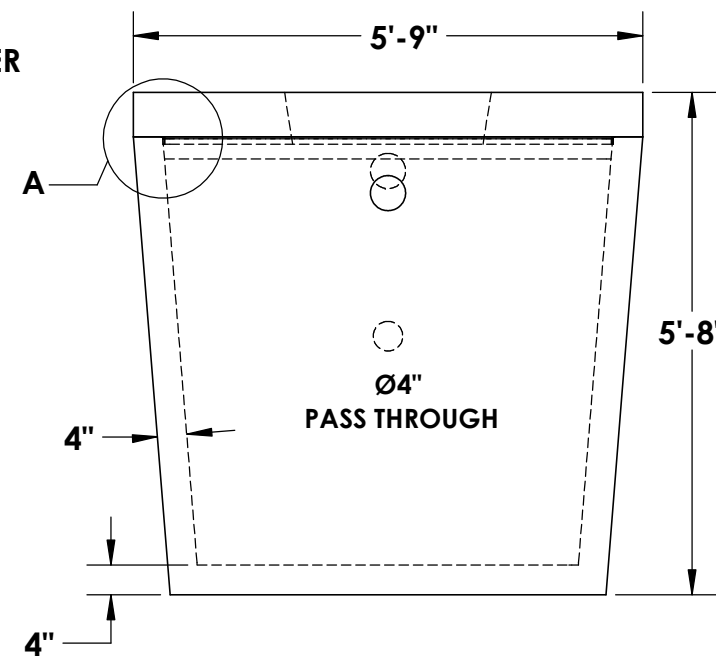
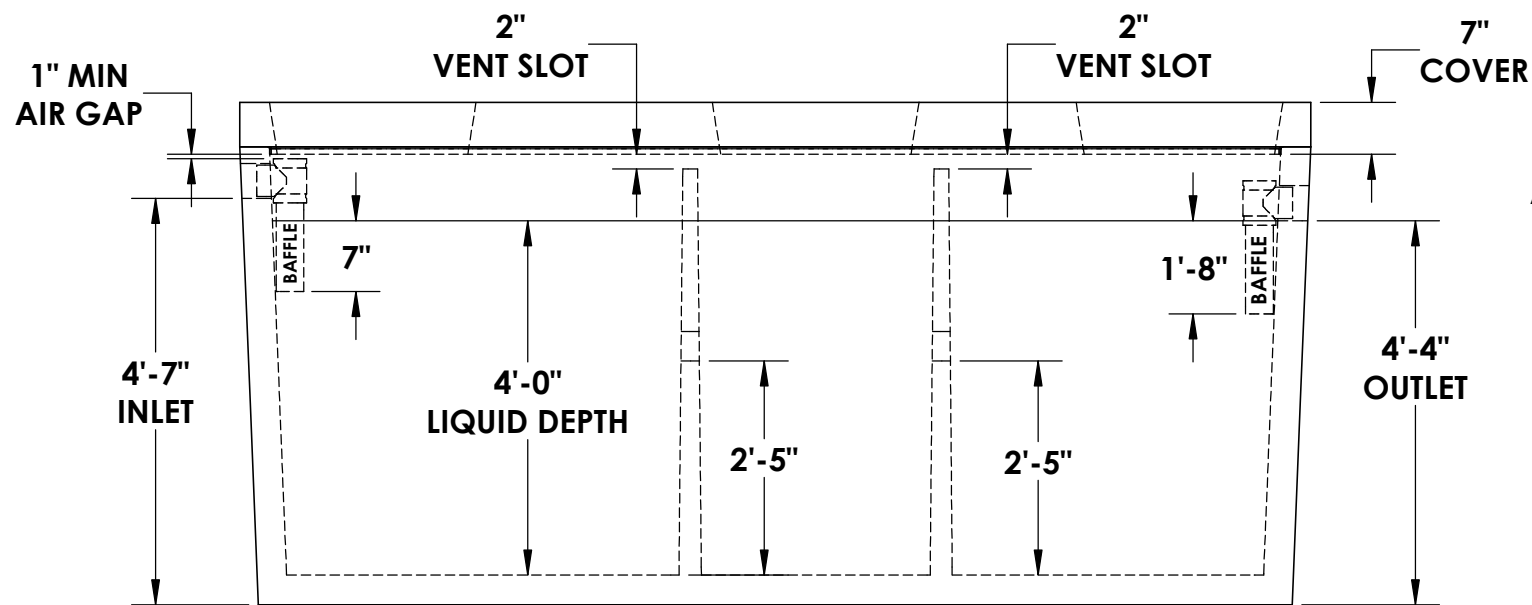
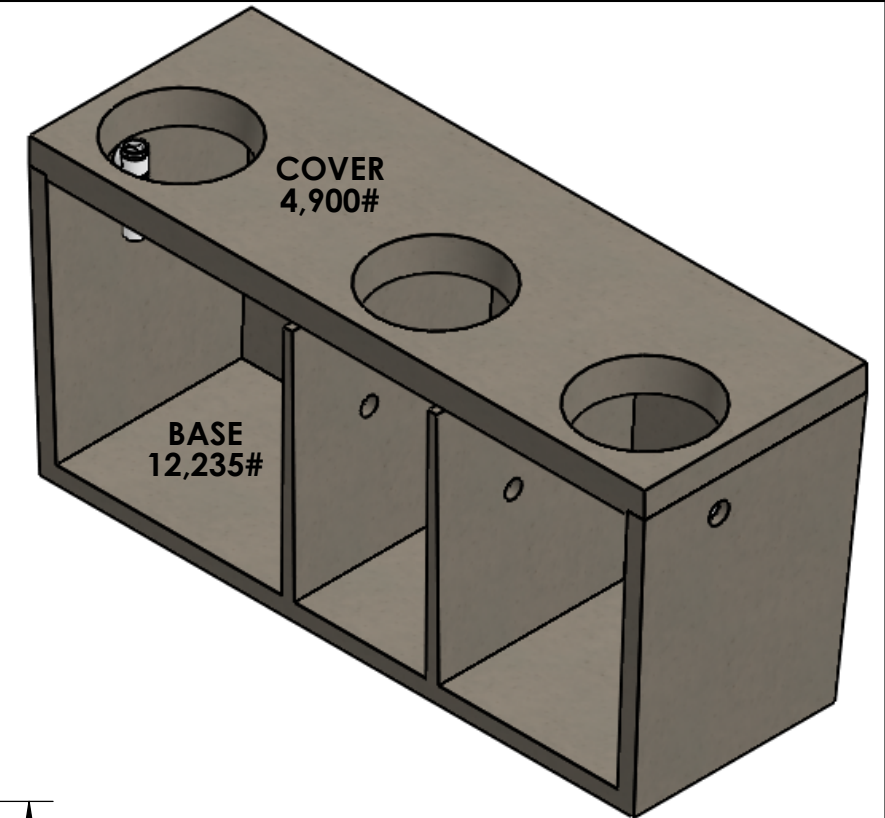
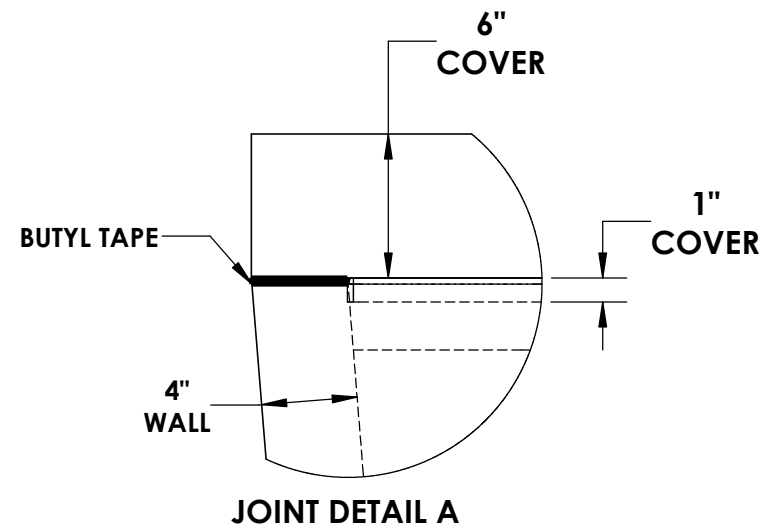
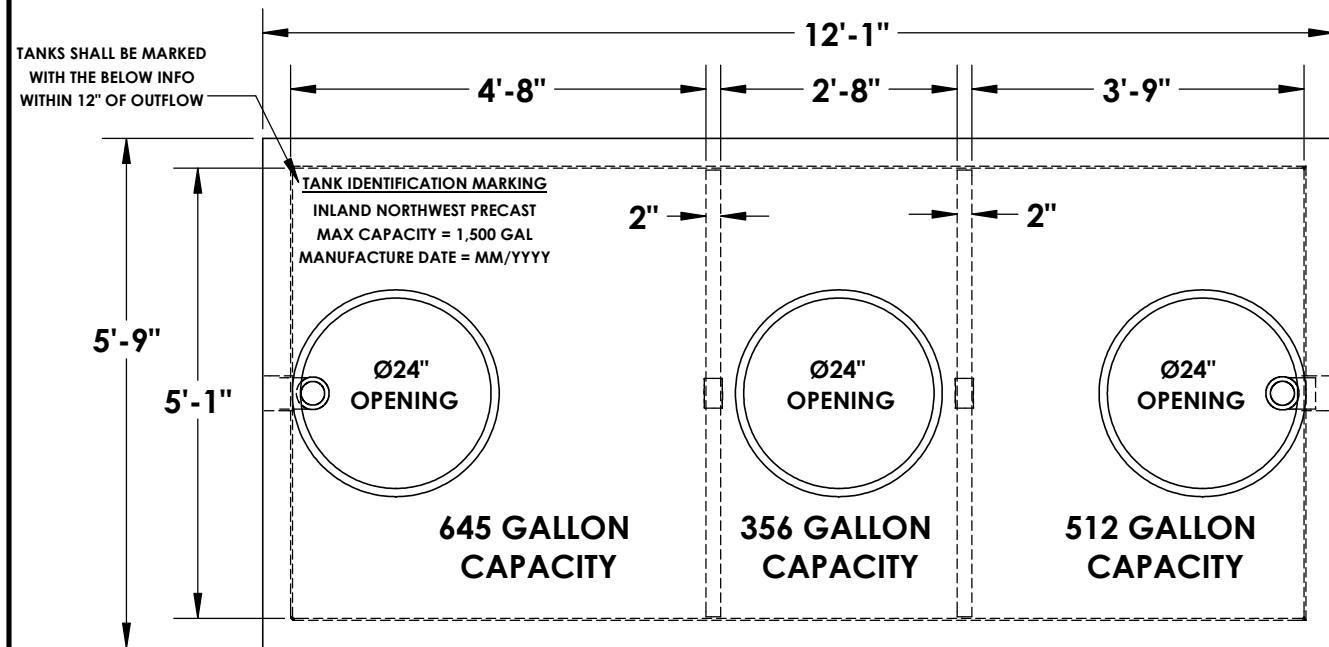




# 1500 GALLON TRIPLE COMPARTMENT SEPTIC TANK - TRAFFIC RATED



- \* CONCRETE:  
4,000 PSI MINIMUM
- \* RISER/FLANGE ADAPTERS:  
AVAILABLE UPON REQUEST

- NOTES:**
- ~ BEDDING MUST BE COMPACTED AND AREA AROUND TANK MUST BE BACKFILLED PRIOR TO PUTTING INTO SERVICE
  - ~ Ø4" PRESS SEAL BOOTS PROVIDED AT INLET & OUTLET
  - ~ STRUCTURAL ENGINEERING CALCULATIONS AVAILABLE UPON REQUEST
  - ~ 2-1/2" TAPER FROM TOP TO BOTTOM OF TANK

© INLAND NORTHWEST PRECAST



5204 NORTH STARR RD PO BOX 610  
 NEWMAN LAKE, WA 99025  
 (509) 226-5050  
 www.inwprecast.com



- REINFORCEMENT:**
- ~ LID  
TRANSV. - #4 @ 6"  
LONGIT. - #4 @ 1'-0"
  - ~ WALLS  
4x4W4xW4
  - ~ BASE  
TRANSV. - #4 @ 9"  
LONGIT. - #4 @ 12"

\*ALL TANKS ARE MADE IN ACCORDANCE WITH ASTM C1227 - 13 (STANDARD SPECIFICATION FOR PRECAST CONCRETE SEPTIC TANKS)