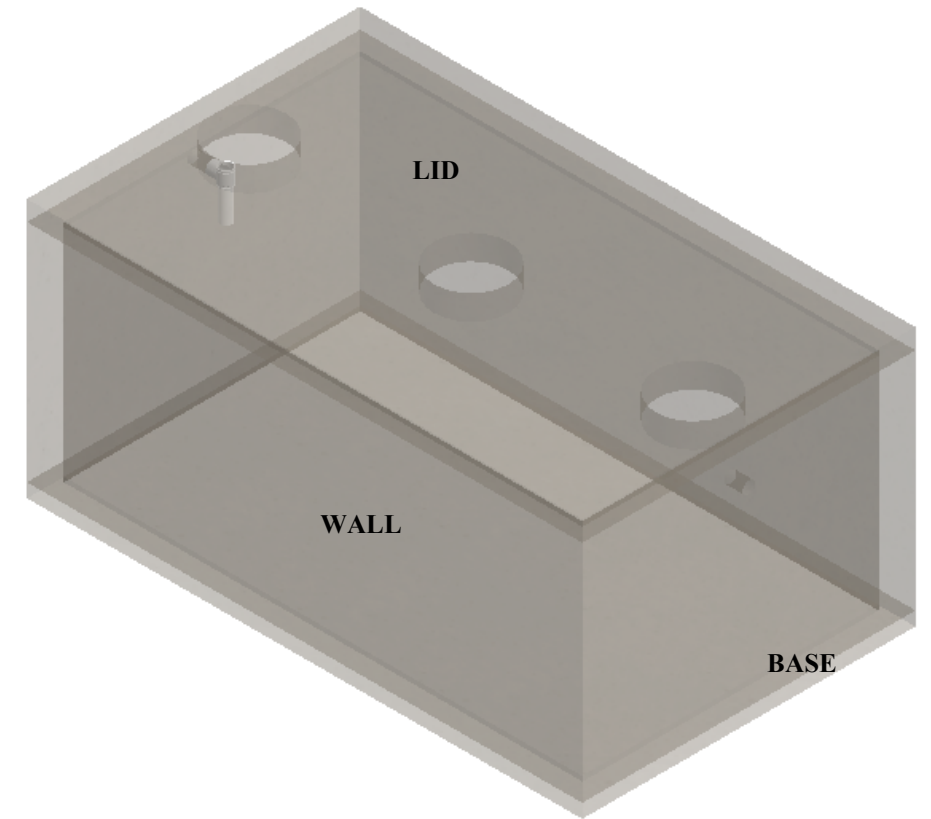
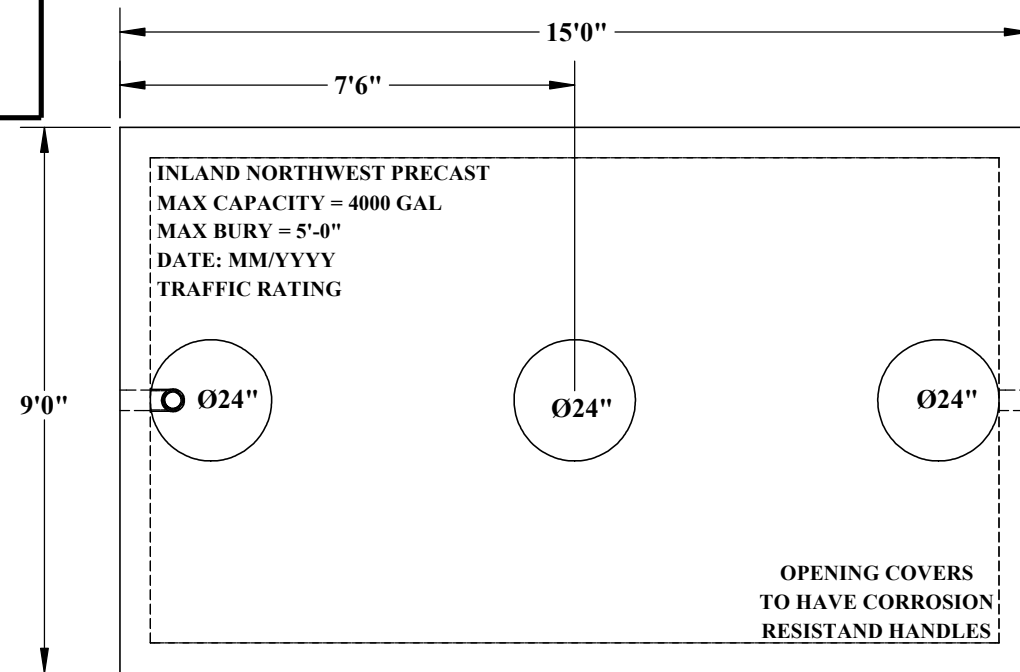




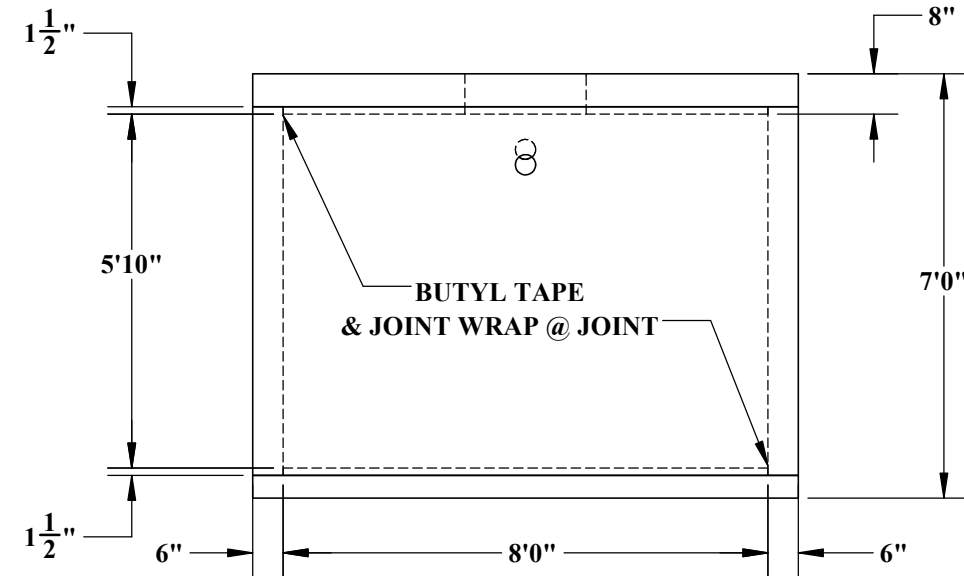
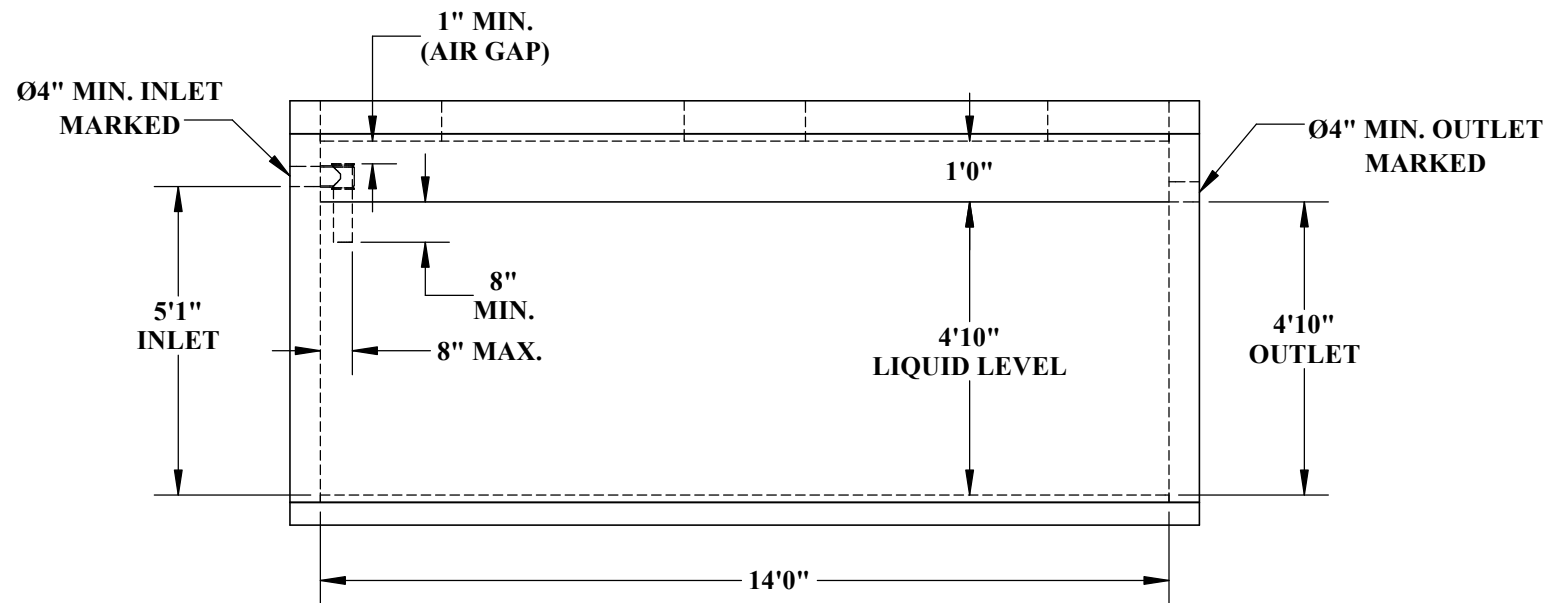
# 4,000 GALLON SINGLE COMPARTMENT TANK

\*CONCRETE  
5,000 PSI MIN.



**WEIGHTS:**

- ~ LID - 12,125# (2.99 CU/YDS)
- ~ WALL - 20,990# (5.18 CU/YDS)
- ~ BASE - 9,695# (2.39 CU/YDS)



5204 NORTH STARR RD  
NEWMAN LAKE, WA 99025  
(509) 226-5050  
www.inwprecast.com



**REINFORCEMENT**

- LID  
SHORT - #5 BAR @ 6" O.C.  
LONG - #5 BAR @ 12" O.C.  
OPENINGS - (4) #5 DIAGONAL BARS, TYP., & #4 BAR x 30 @ 12" O.C.
- WALL  
HORIZONTAL - #4 BAR @ 12" O.C.  
VERTICAL - #4 BAR @ 6" O.C.
- BASE - #4 BAR @ 9" O.C.E.W.

**INLAND NORTHWEST PRECAST  
IDAHO & WASHINGTON**  
*\*ENGINEERING AVAILABLE UPON REQUEST*