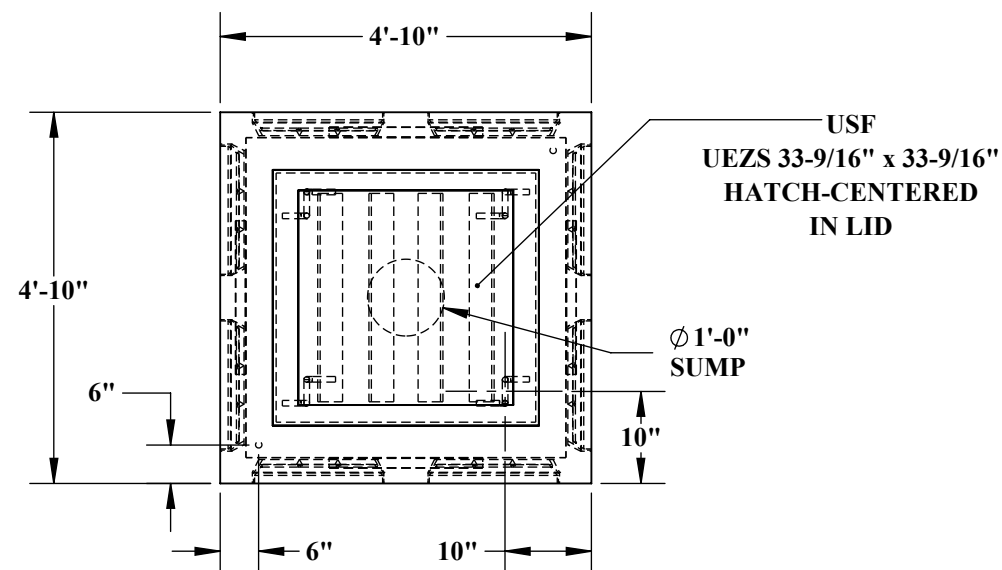




ELECTRICAL VAULT SMALL 4'-0" x 4'-0" x 6'-0"

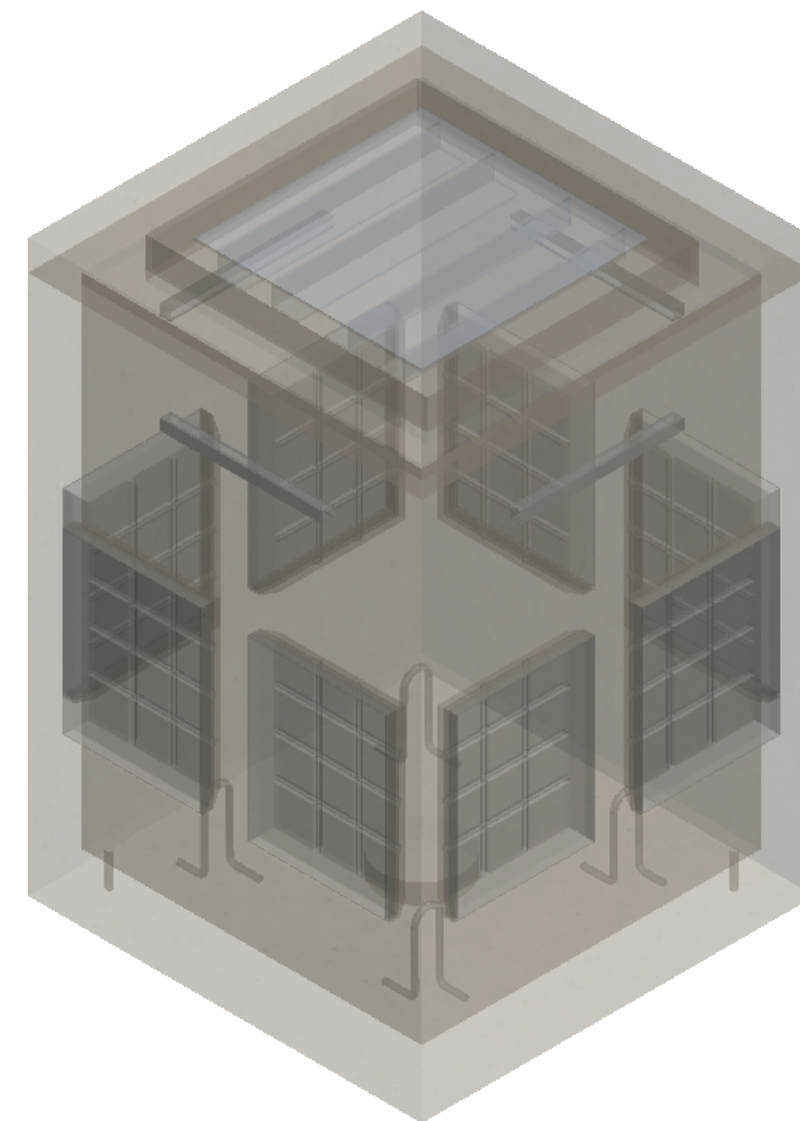
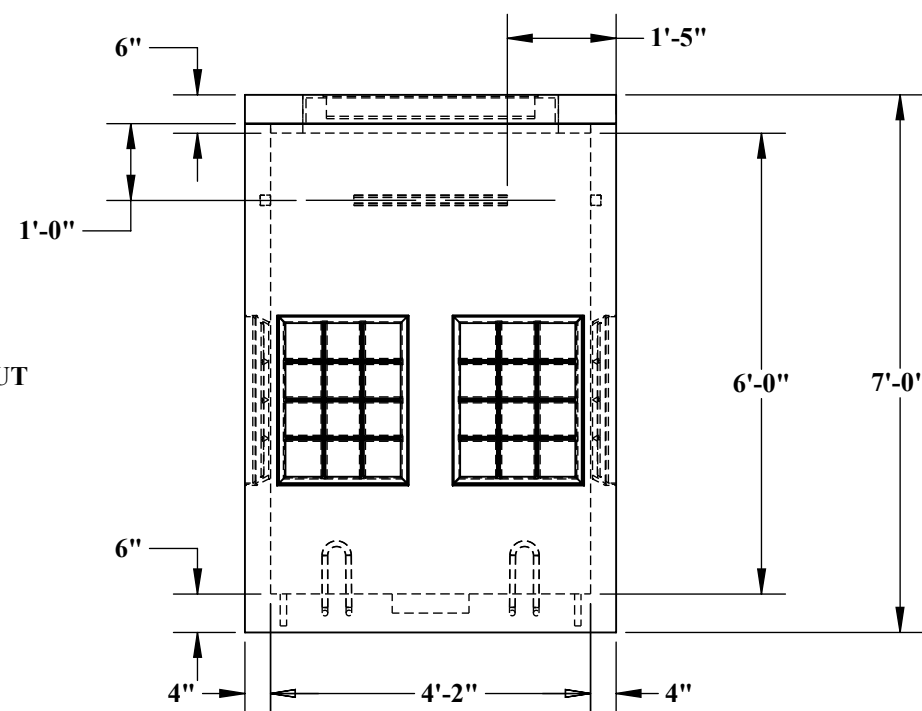
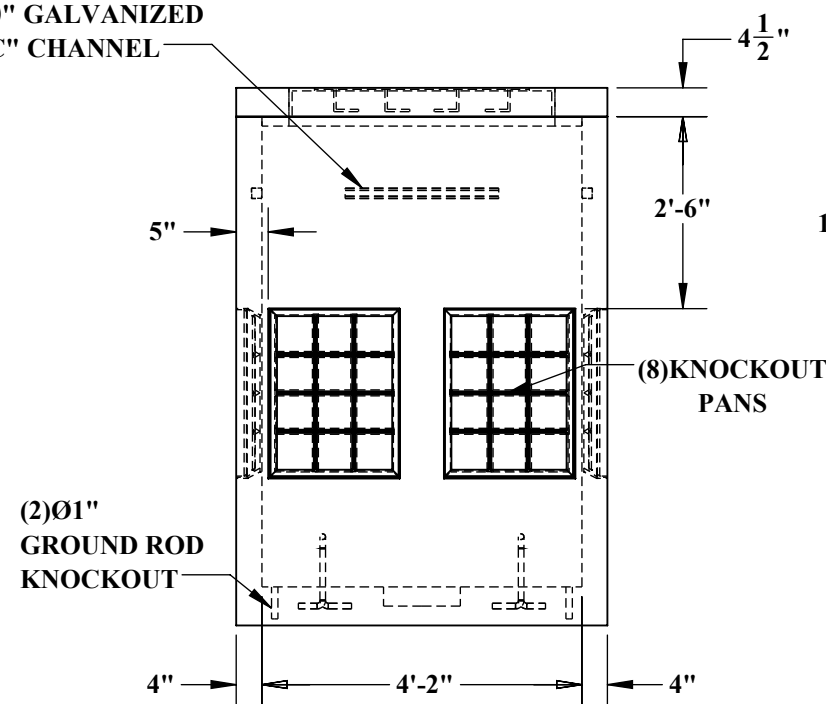


~WEIGHT

- LID - 775# (0.19 CU/YDS)

-BASE/WALL - 5,875# (1.45 CU/YDS)

(4)2'-0" GALVANIZED
"C" CHANNEL



*ALL VAULTS MEET
AND ARE CONSTRUCTED IN
ACCORDANCE WITH ASTM C858



5204 NORTH STARR RD PO BOX 610
NEWMAN LAKE, WA 99025
(509) 226-5050
www.inwprecast.com

VAULT SCHEDULE:



PROJECT:

CONTRACTOR:

DATE: