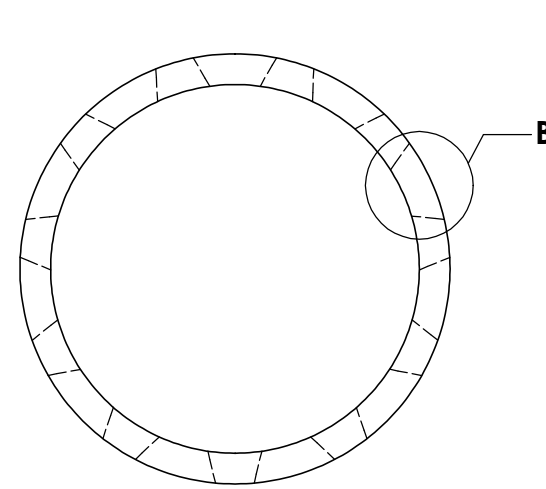
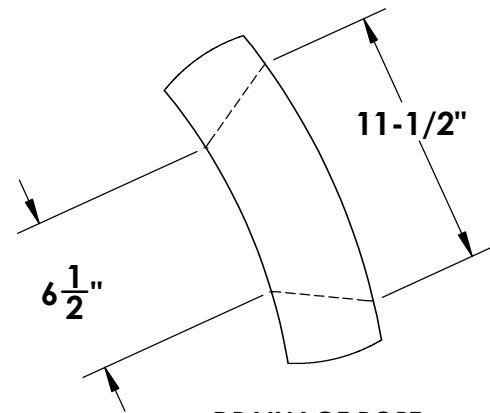




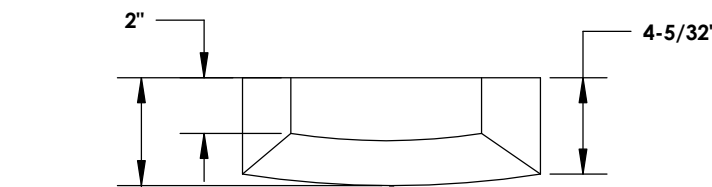
Ø48" TYPE 'A' DRYWELL - CITY OF POST FALLS



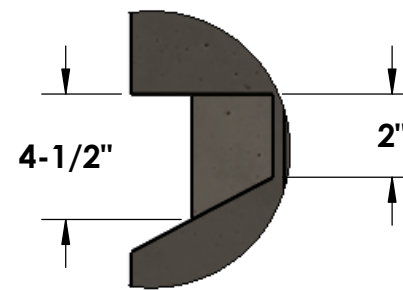
BASE DRAIN DETAIL



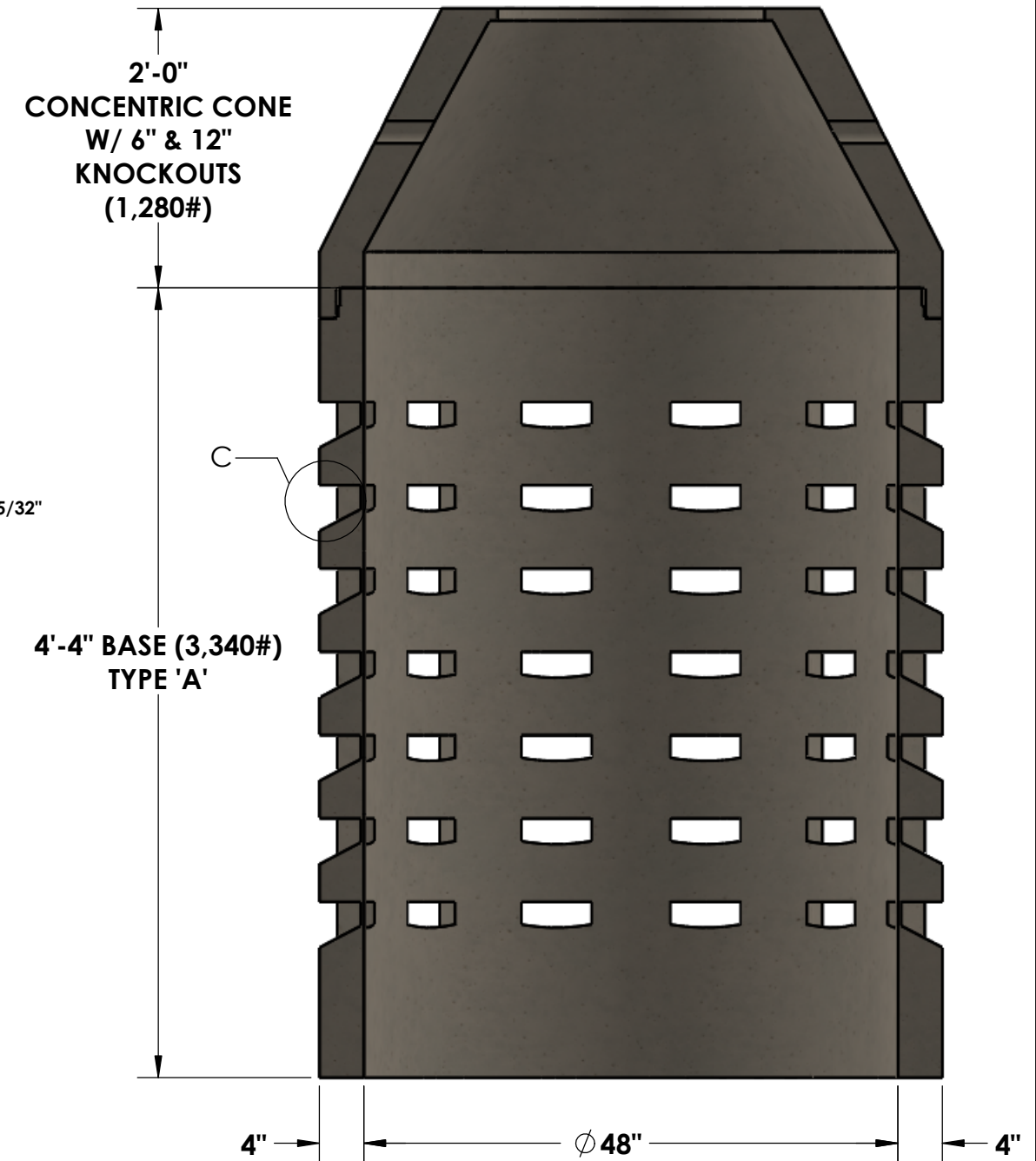
DRAINAGE PORT
DETAIL B



DRAINAGE PORT - FRONT VIEW



DRAINAGE PORT
DETAIL C



CONCRETE:
4,000 PSI MIN. @ 28 DAYS

ROUND ADJUSTMENT RINGS:
AVAILABLE UPON REQUEST

CAST-IRON:
AVAILABLE UPON REQUEST

REINFORCEMENT:
AVAILABLE UPON REQUEST

© INLAND NORTHWEST PRECAST

5204 NORTH STARR RD PO BOX 610
NEWMAN LAKE, WA 99025
(509) 226-5050
www.inwprecast.com

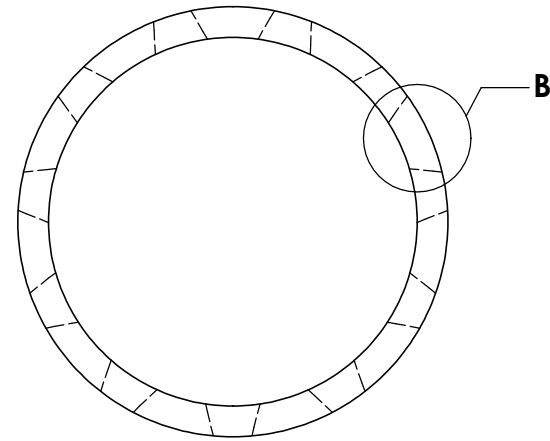
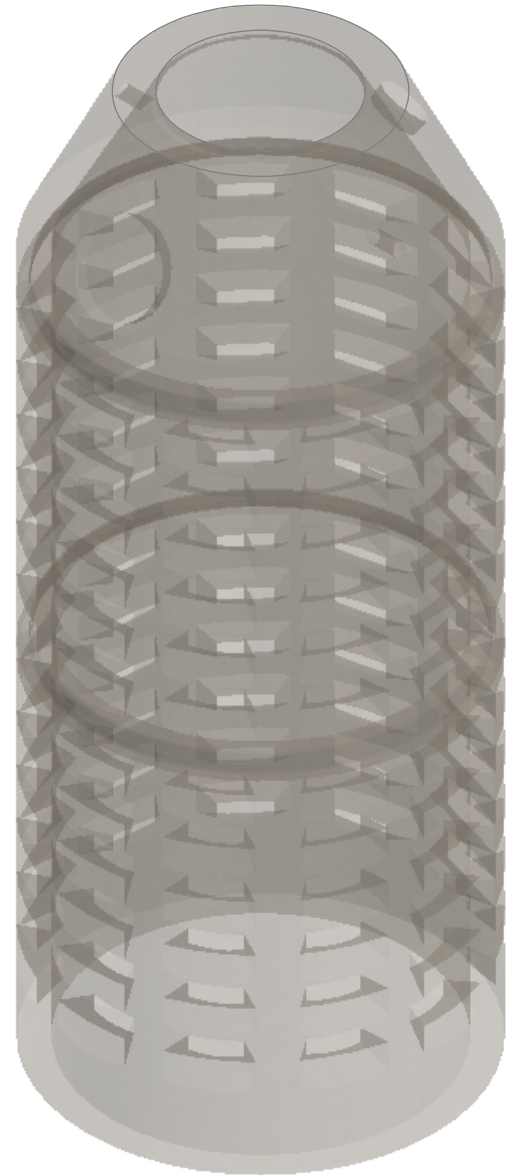


DRYWELLS MEET OR EXCEED WSDOT STANDARD B-20.20 AND MEETS OR EXCEEDS CITY OF POST FALLS STANDARD SD 601 & IS CONSTRUCTED IN ACCORDANCE WITH THE REQUIREMENTS OF ASTM C478, AASHTO M-199, & ASTM C443

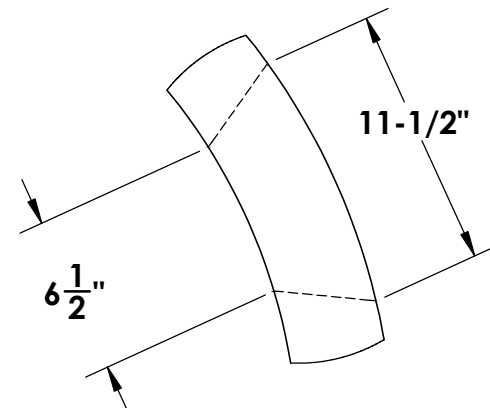




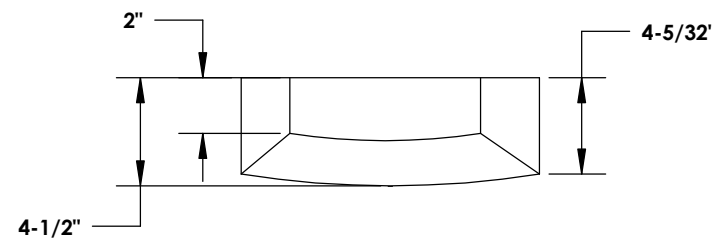
Ø48" TYPE 'B' DRYWELL - CITY OF POST FALLS



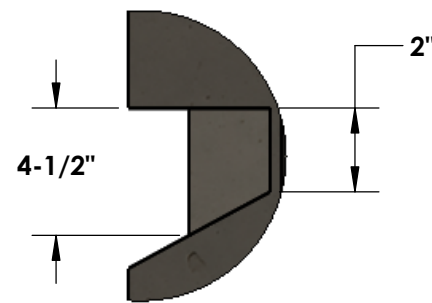
BASE DRAIN DETAIL



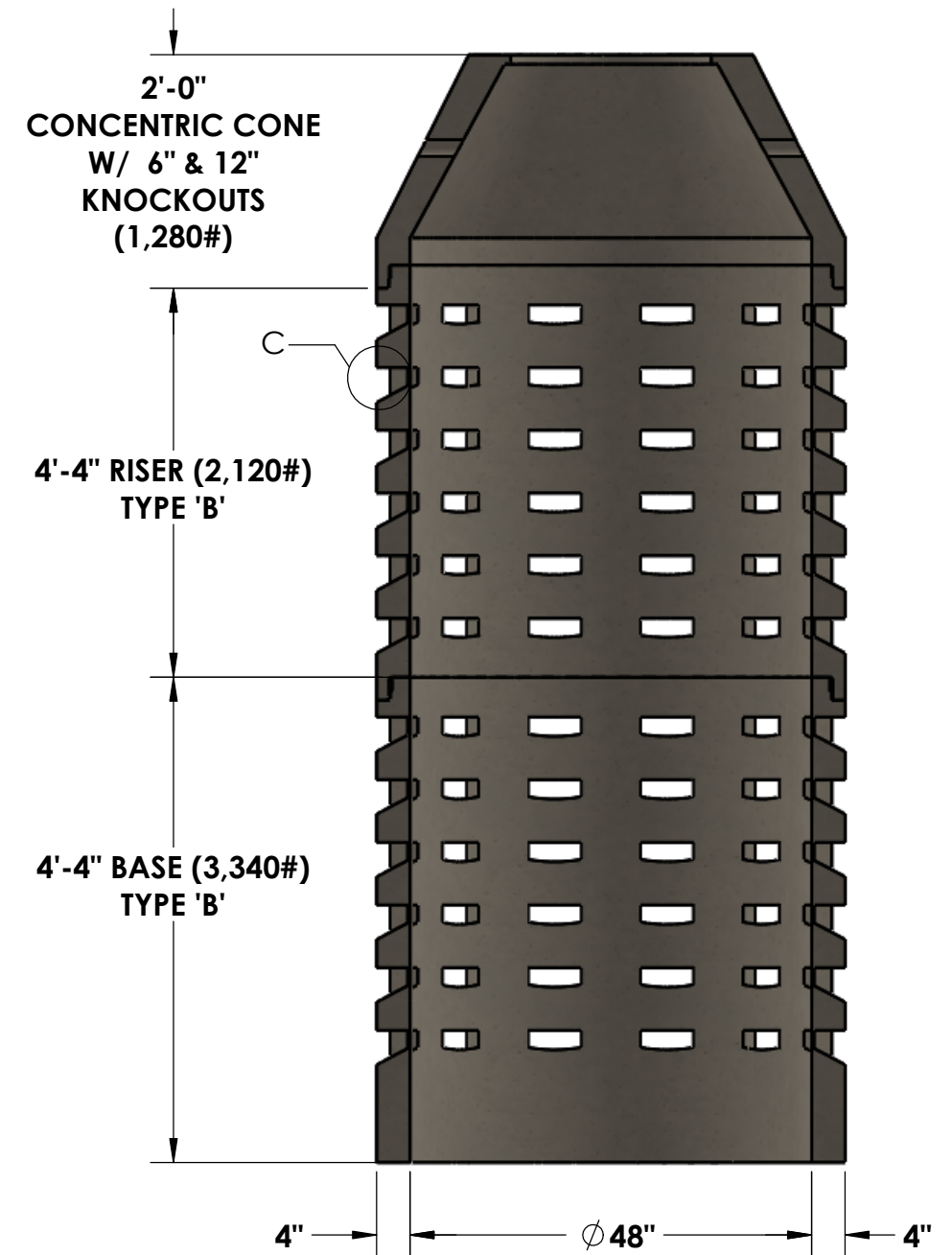
**DRAINAGE PORT
DETAIL B**



DRAINAGE PORT - FRONT VIEW



**DRAINAGE PORT
DETAIL C**



CONCRETE:

4,000 PSI MIN. @ 28 DAYS

ROUND ADJUSTMENT RINGS:

AVAILABLE UPON REQUEST

CAST-IRON:

AVAILABLE UPON REQUEST

REINFORCEMENT:

#4 GRADE 60 REBAR @ 10"
EACH WAY

© INLAND NORTHWEST PRECAST 2018



5204 NORTH STARR RD
NEWMAN LAKE, WA 99025
(509) 226-5050
www.inwprecast.com



DRYWELLS MEET OR EXCEED WSDOT STANDARD B-20.20 AND MEETS OR EXCEEDS CITY OF POST FALLS STANDARD SD 601 & IS CONSTRUCTED IN ACCORDANCE WITH THE REQUIREMENTS OF ASTM C478, AASHTO M-199, & ASTM C443