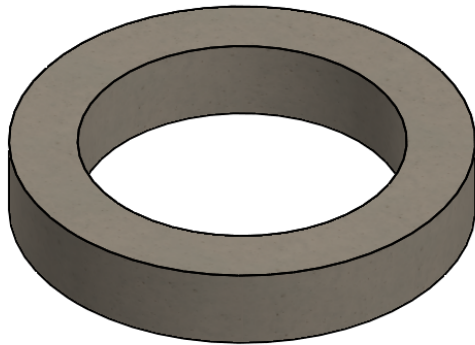
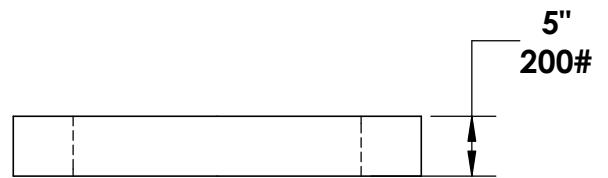
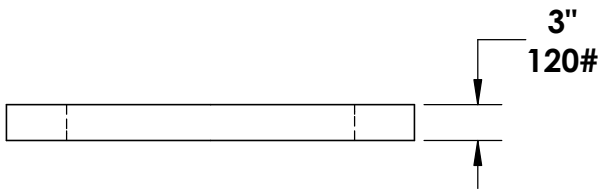
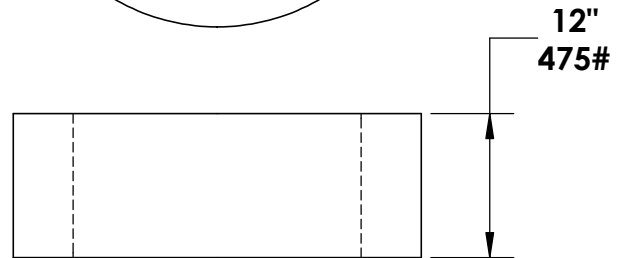
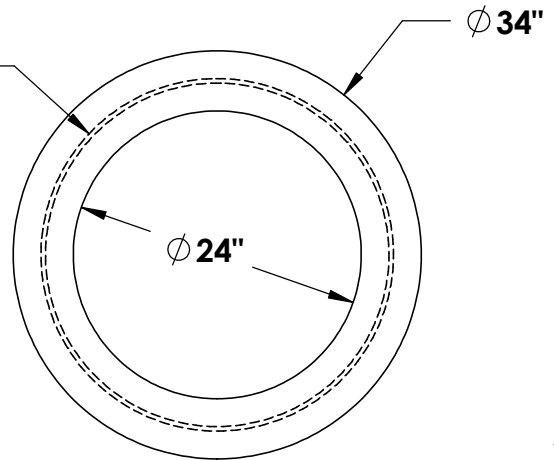




Ø24" GRADE ADJUSTMENT RINGS



#3 REBAR HOOP
(1) 2" - 6" HEIGHT
(2) 12" HEIGHT



* SQUARE ADJUSTMENTS MEET OR EXCEED THE REQUIREMENTS OF ASTM C478/AASSTO M199, ASTM C443, & ASTM C890.

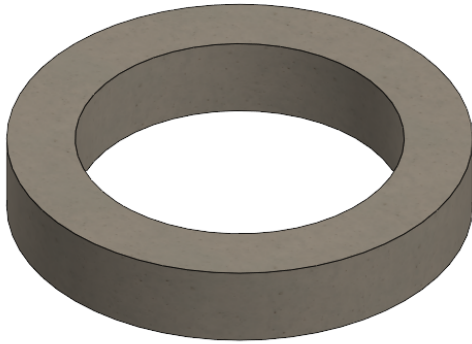


5204 NORTH STARR RD PO BOX 610
NEWMAN LAKE, WA 99025
(509) 226-5050
www.inwprecast.com

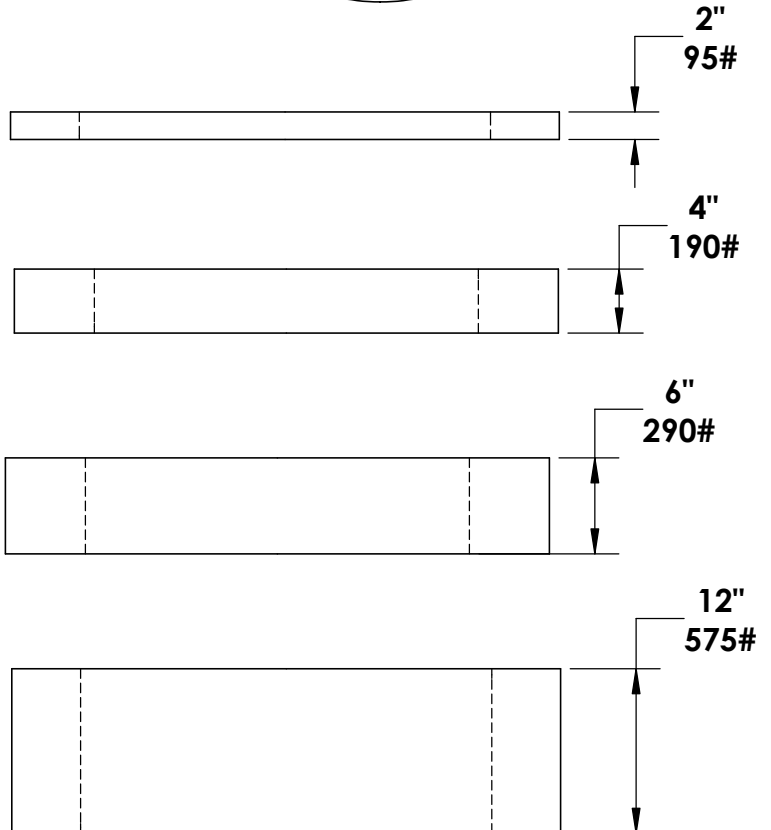
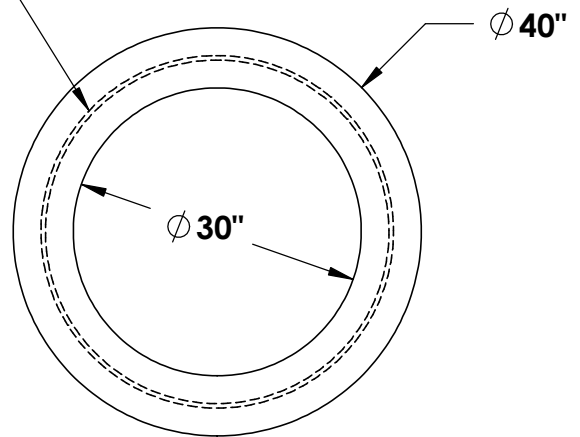




Ø30" GRADE RING ADJUSTMENTS



(1) #3 REBAR HOOP



* ROUND ADJUSTMENTS MEET OR EXCEED THE REQUIREMENTS OF ASTM C478/AASSTO M199, ASTM C443, & ASTM C890.

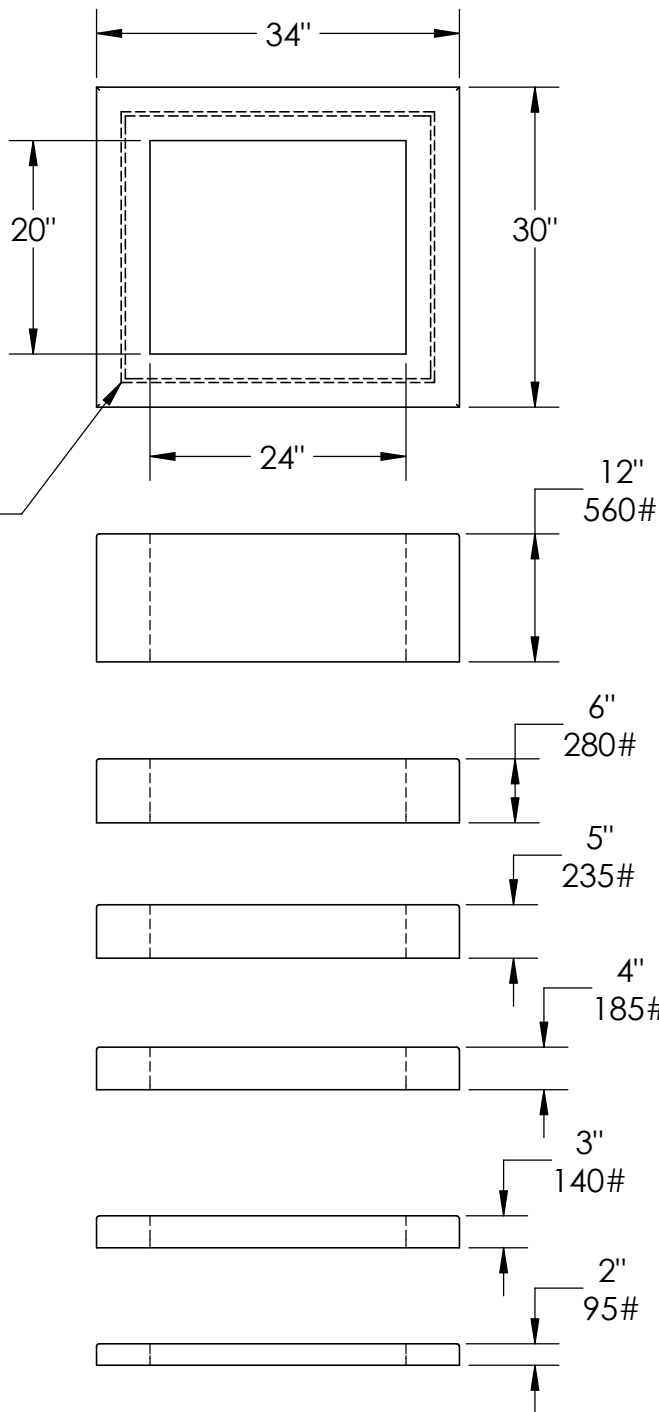
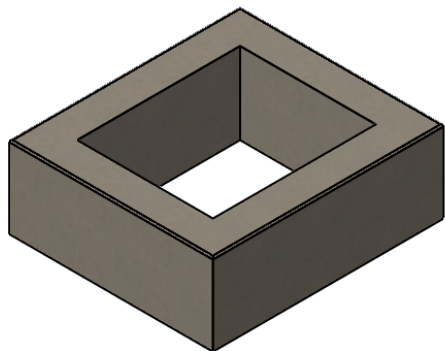


5204 NORTH STARR RD PO BOX 610
NEWMAN LAKE, WA 99025
(509) 226-5050
www.inwprecast.com





SQUARE ADJUSTMENTS



* SQUARE ADJUSTMENTS MEET OR EXCEED THE REQUIREMENTS OF ASTM C478/AASSTO M199, ASTM C443, & ASTM C890.



5204 NORTH STARR RD PO BOX 610
NEWMAN LAKE, WA 99025
(509) 226-5050
www.inwprecast.com

