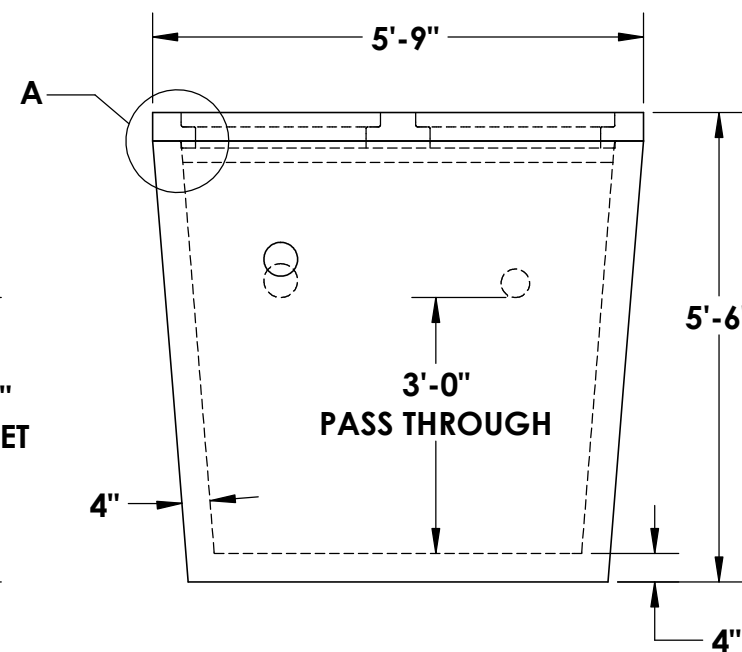
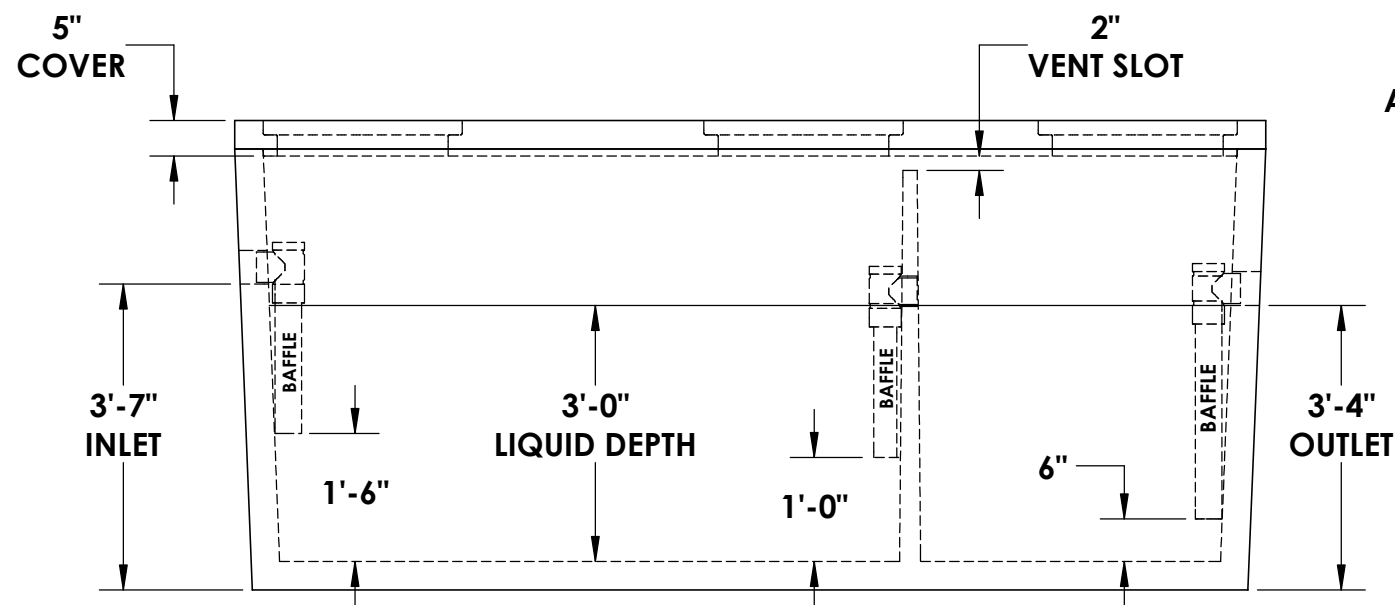
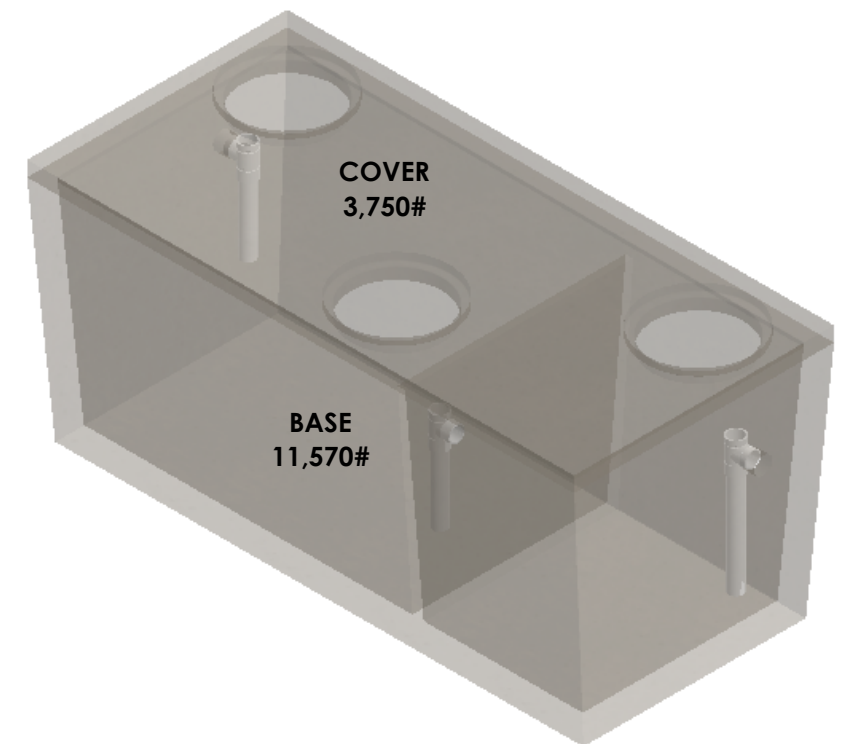
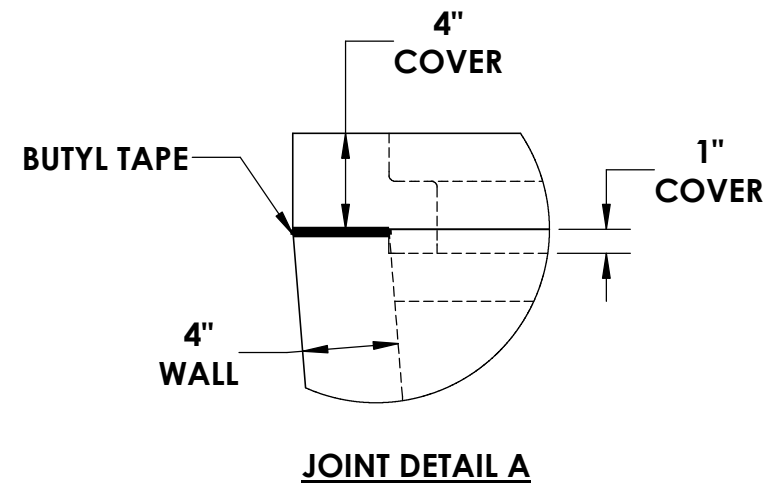
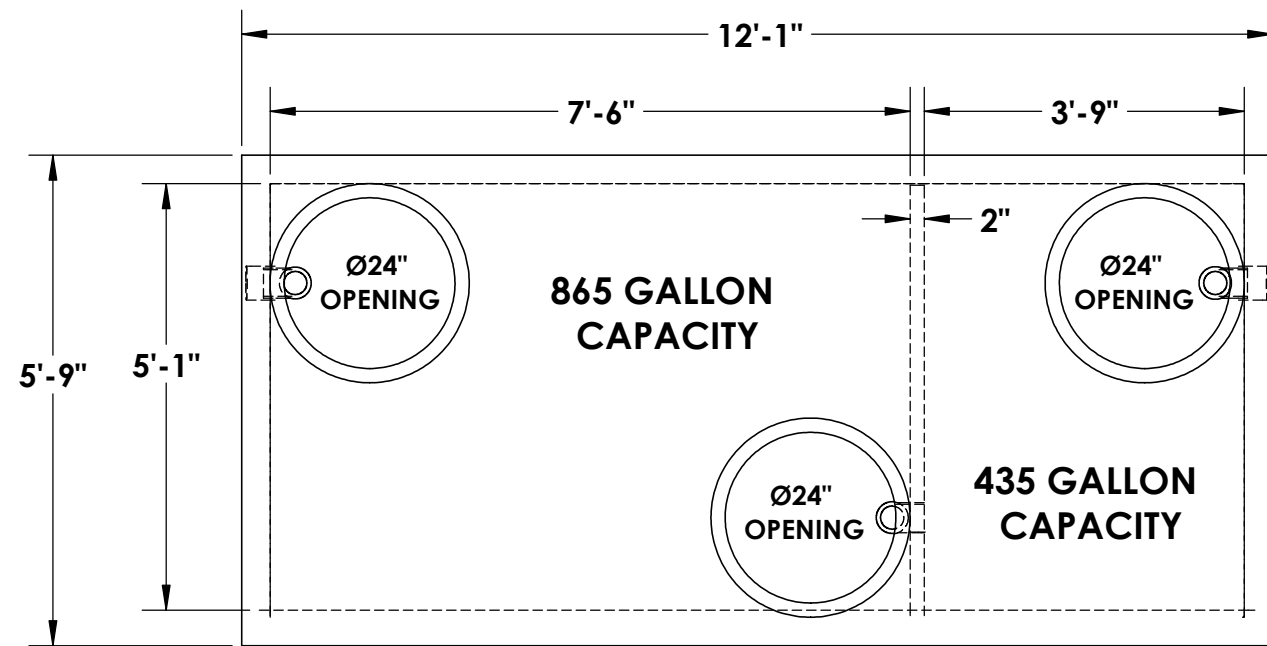




1250 GALLON GREASE INTERCEPTOR



* **CONCRETE:**
4,000 PSI MINIMUM

* **REINFORCEMENT:**
WILL VARY UPON SIZE & TYPE.
ENGINEERING CALCS AVAILABLE
UPON REQUEST

* **RISER/FLANGE ADAPTERS:**
AVAILABLE UPON REQUEST

NOTES:

- ~ BEDDING MUST BE COMPACTED AND AREA AROUND TANK MUST BE BACKFILLED PRIOR TO PUTTING INTO SERVICE
- ~ Ø4" PRESS SEAL BOOTS PROVIDED AT INLET & OUTLET
- ~ STRUCTURAL ENGINEERING CALCULATIONS AVAILABLE UPON REQUEST
- ~ 2-1/2" TAPER FROM TOP TO BOTTOM OF TANK

© INLAND NORTHWEST PRECAST

5204 NORTH STARR RD PO BOX 610
NEWMAN LAKE, WA 99025
(509) 226-5050
www.inwprecast.com

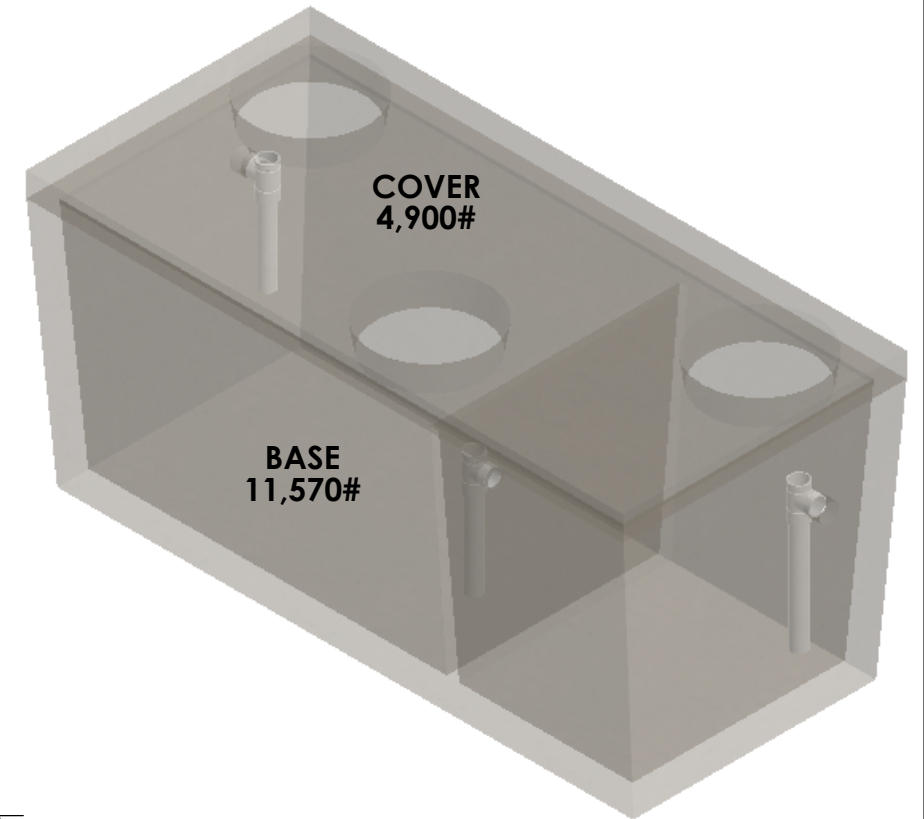
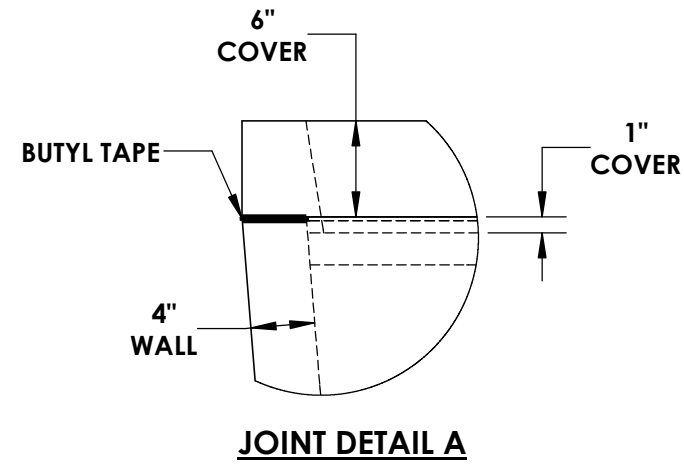
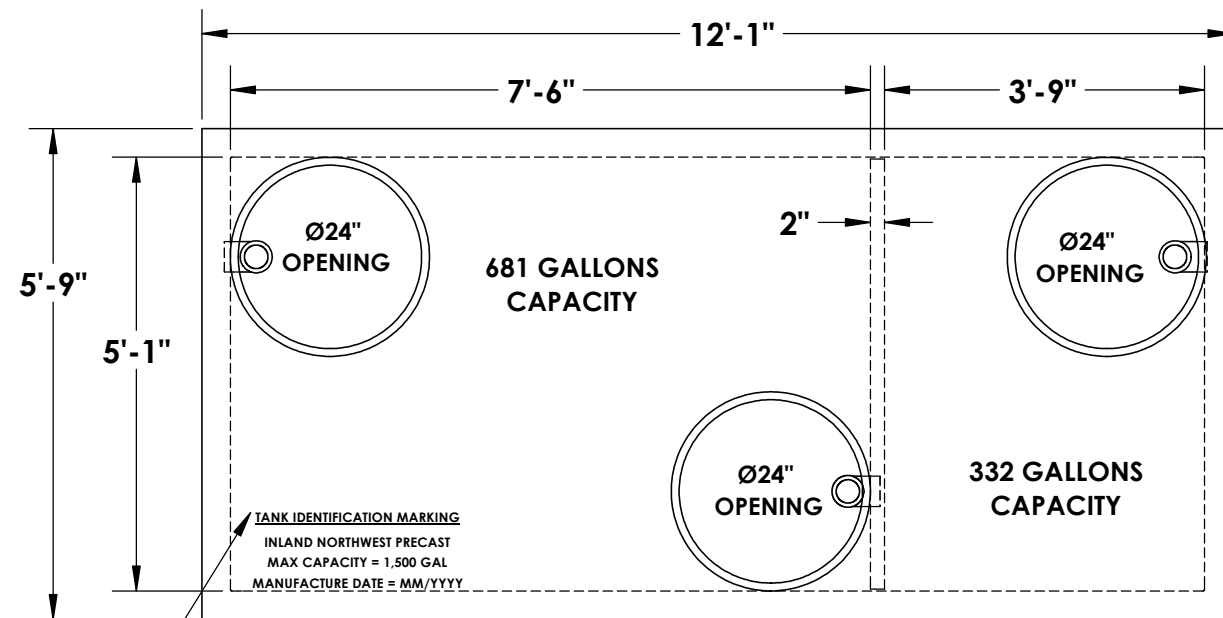


*ALL TANKS ARE MADE IN ACCORDANCE WITH ASTM C1227 - 13 (STANDARD SPECIFICATION FOR PRECAST CONCRETE SEPTIC TANKS)

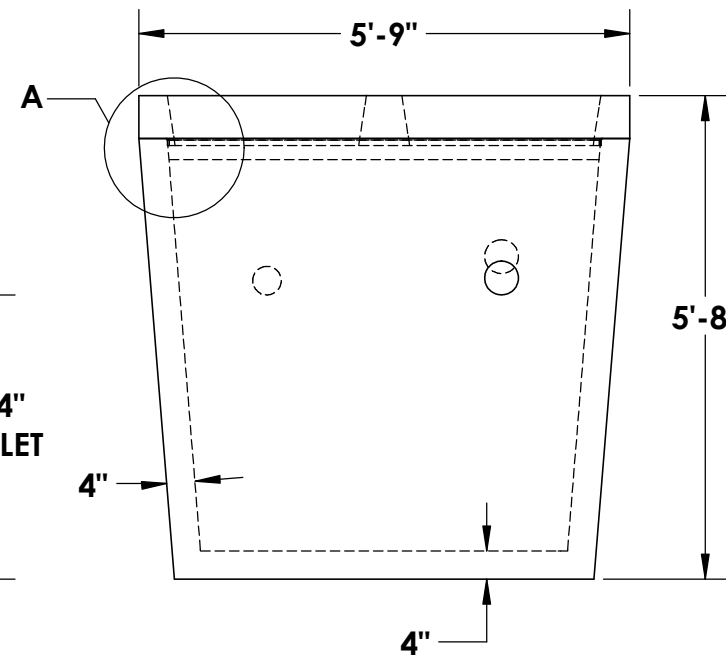
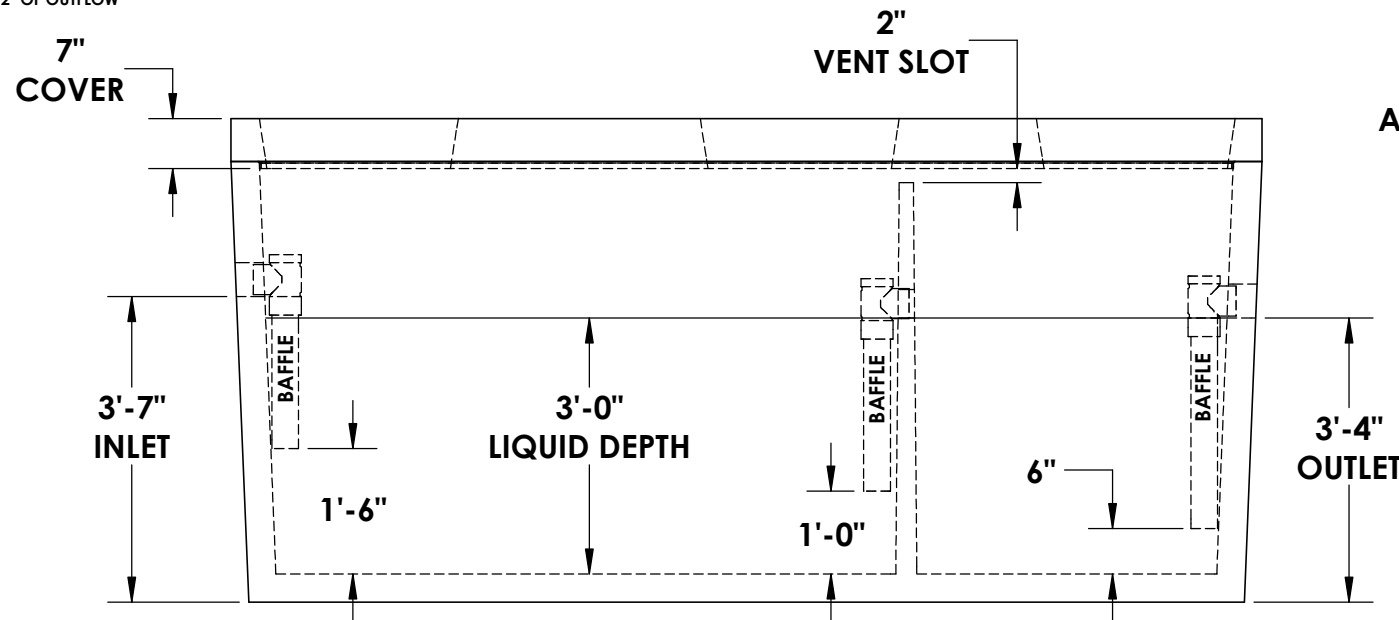




1250 GALLON GREASE INTERCEPTOR - TRAFFIC RATED



TANKS SHALL BE MARKED WITH ABOVE INFO WITHIN 12" OF OUTFLOW



* CONCRETE: 4,000 PSI MINIMUM

* RISER/FLANGE ADAPTERS: AVAILABLE UPON REQUEST

NOTES:

- ~ BEDDING MUST BE COMPACTED AND AREA AROUND TANK MUST BE BACKFILLED PRIOR TO PUTTING INTO SERVICE
- ~ Ø4" PRESS SEAL BOOTS PROVIDED AT INLET & OUTLET
- ~ STRUCTURAL ENGINEERING CALCULATIONS AVAILABLE UPON REQUEST
- ~ 2-1/2" TAPER FROM TOP TO BOTTOM OF TANK

© INLAND NORTHWEST PRECAST



5204 NORTH STARR RD PO BOX 610
 NEWMAN LAKE, WA 99025
 (509) 226-5050
 www.inwprecast.com



REINFORCEMENT:

- ~ LID
 TRANSV. - #4 @ 6"
 LONGIT. - #4 @ 1'-0"
- ~ WALLS
 4x4W4xW4 THROUGHOUT
- ~ BASE
 TRANSV. - #4 @ 9"
 LONGIT. - #4 @ 12"

*ALL TANKS ARE MADE IN ACCORDANCE WITH ASTM C1227 - 13 (STANDARD SPECIFICATION FOR PRECAST CONCRETE SEPTIC TANKS)