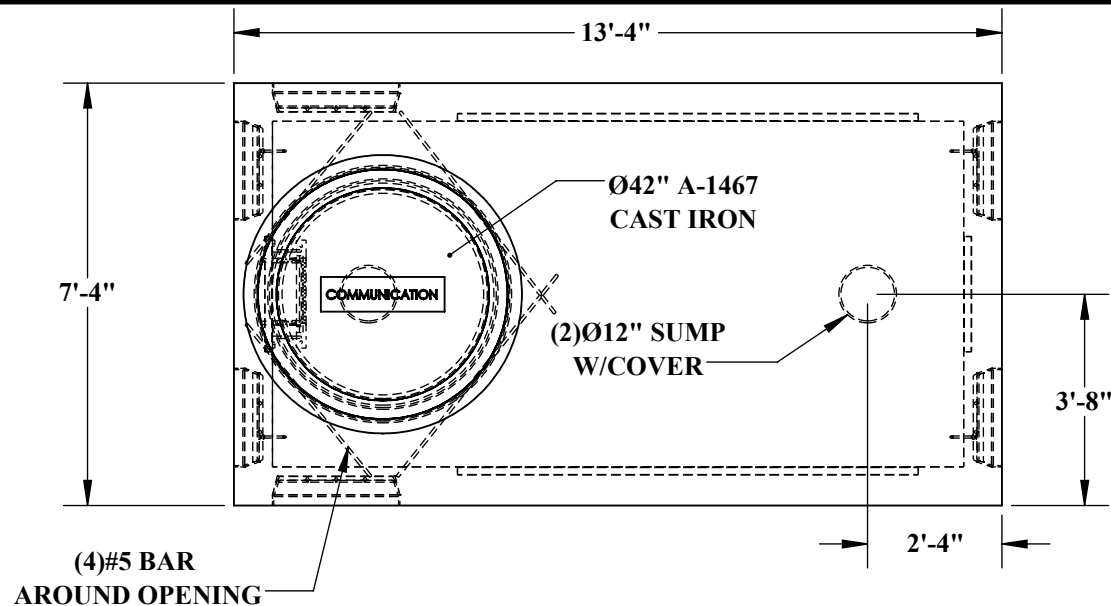




# Medium Telecoms Vault



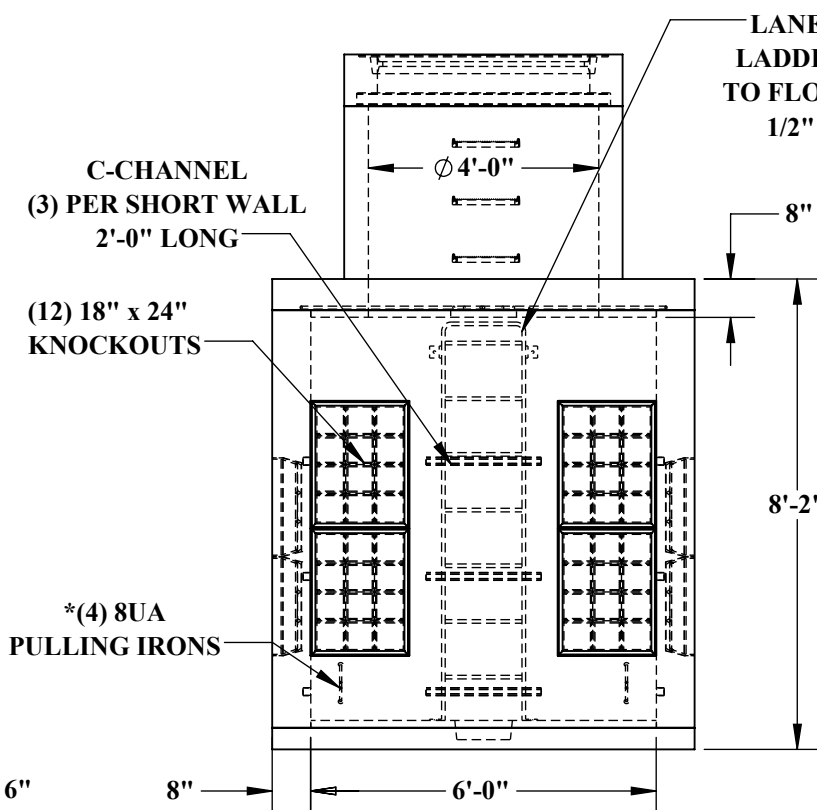
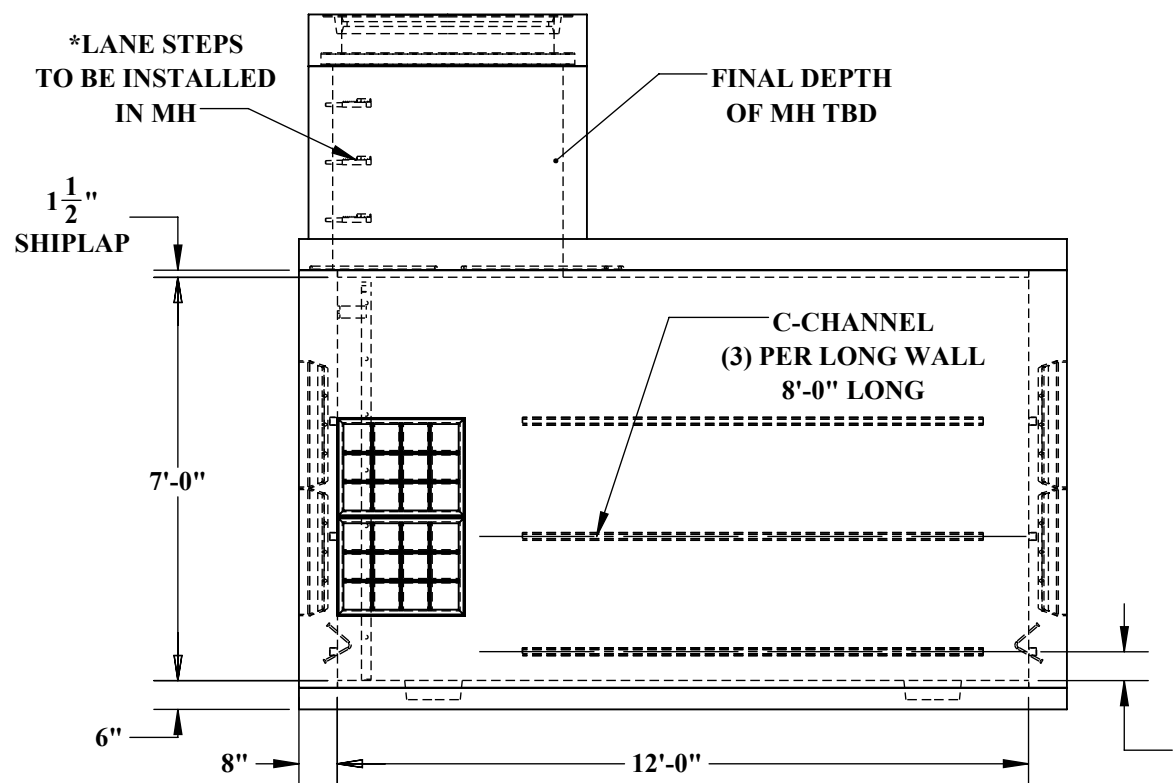
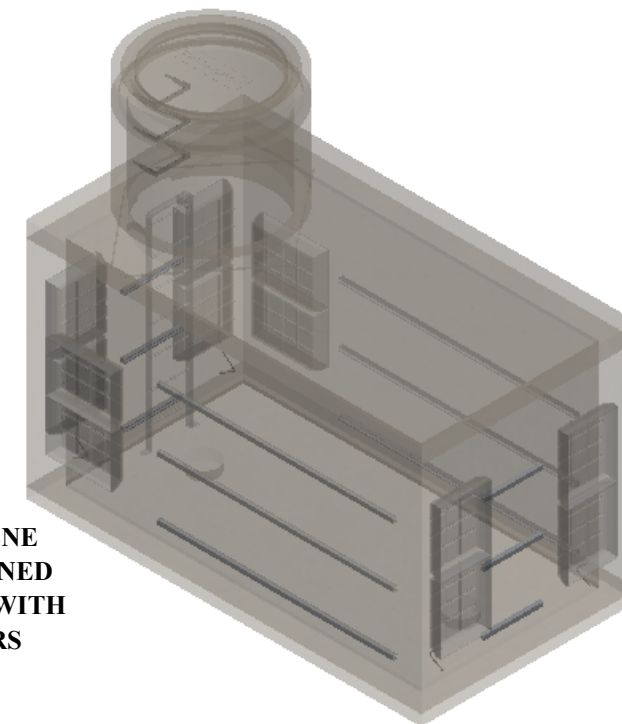
### ~WEIGHT

-RISER - 2,840# (0.7 CU/YDS)

-LID - 8,035# (1.99 CU/YDS)

-WALLS - 28,260# (6.98 CU/YDS)

-BASE - 6,775# (1.67 CU/YDS)



### ~REINFORCEMENT

#### -LID

SHORT - #5 @ 5" O.C (2" CLR)

LONG - #5 @ 12" O.C

-WALLS - #4 BAR @ 12" O.C.E.W

-BASE - #5 BAR @ 9" O.C.E.W (CENTERED IN BASE)



5204 NORTH STARR RD PO BOX 610  
 NEWMAN LAKE, WA 99025  
 (509) 226-5050  
 www.inwprecast.com



PROJECT:	
CONTRACTOR:	
DATE:	