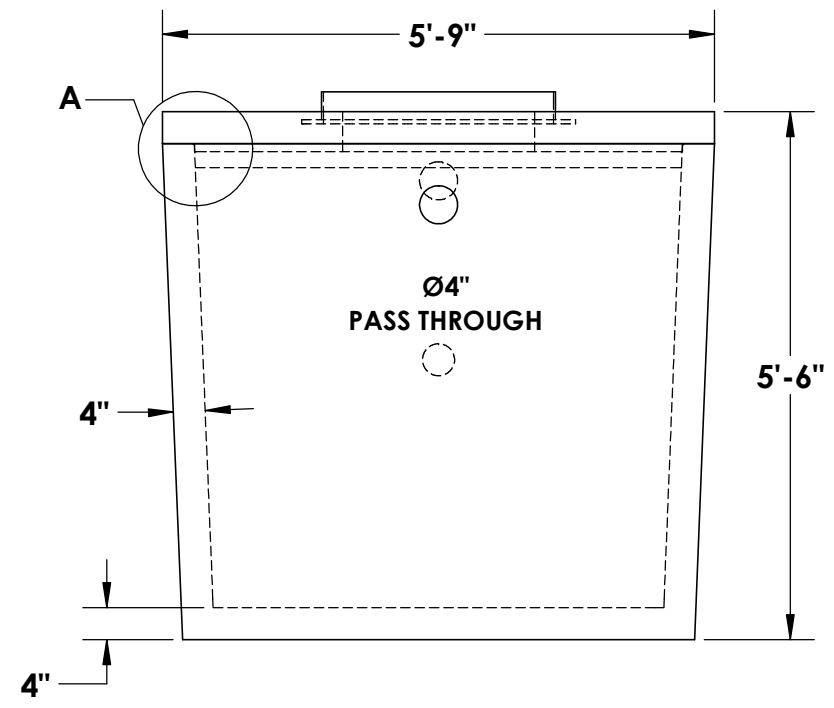
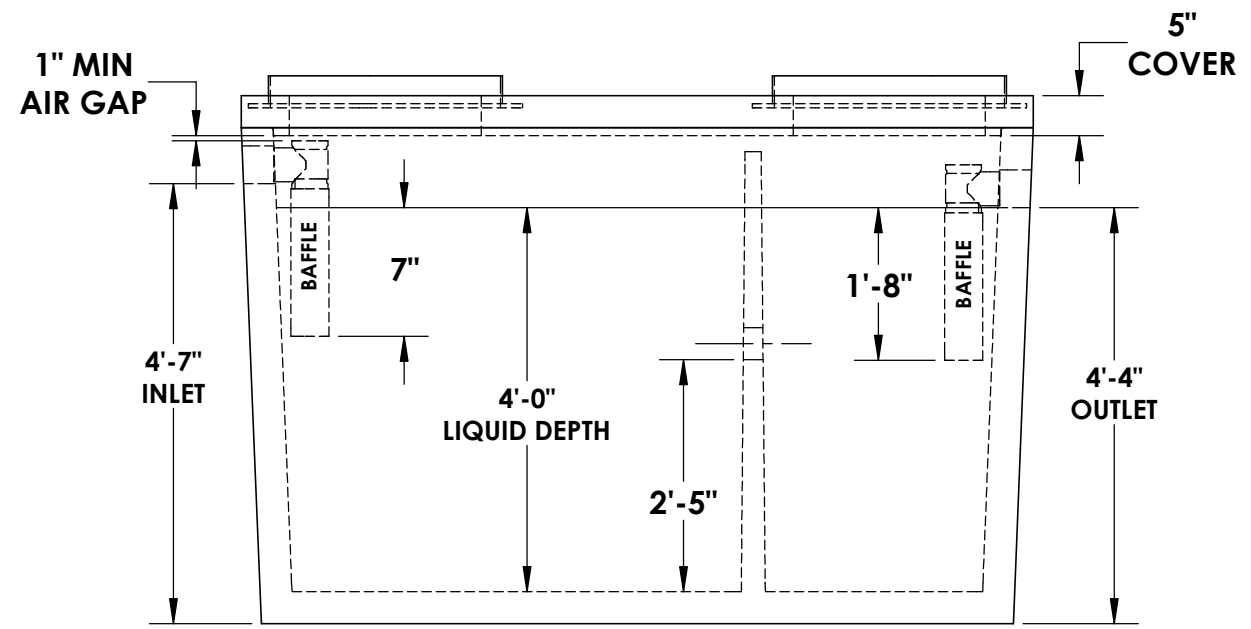
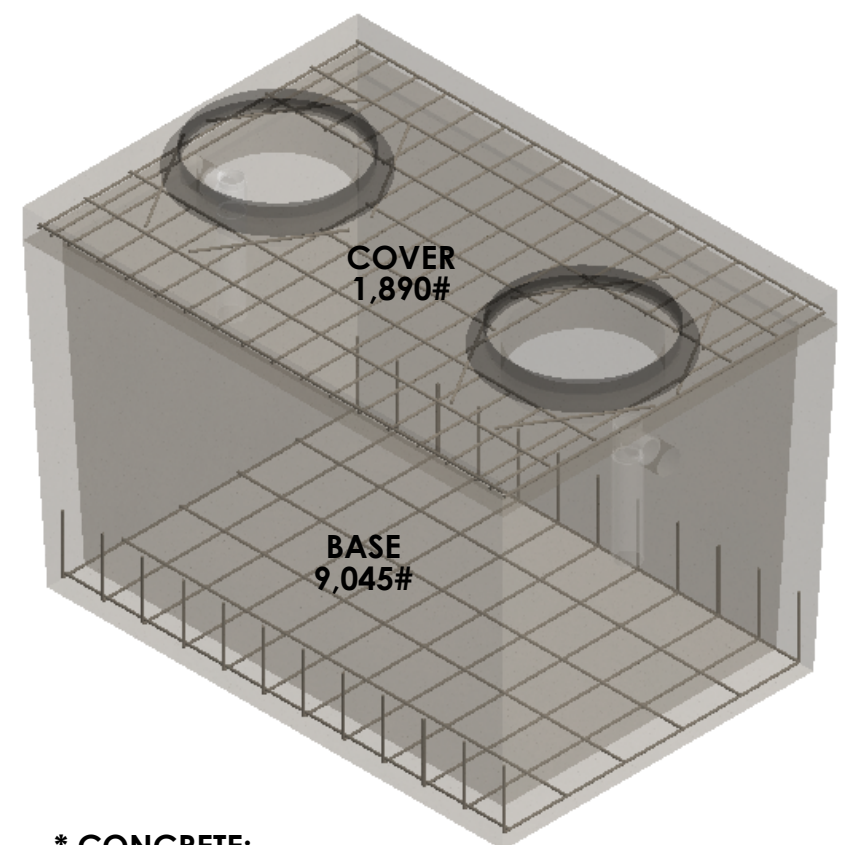
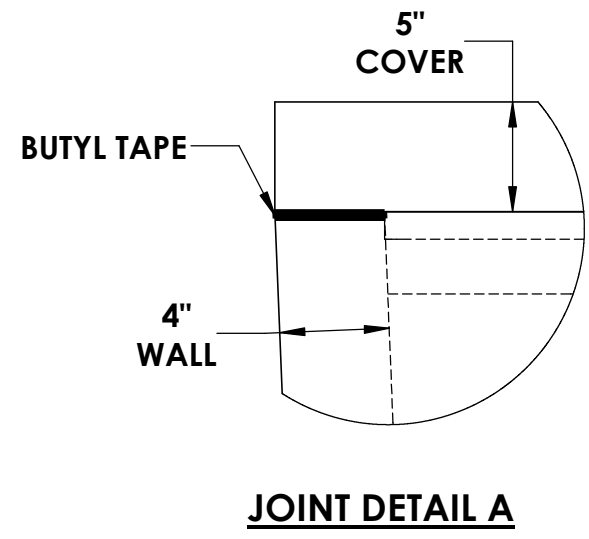
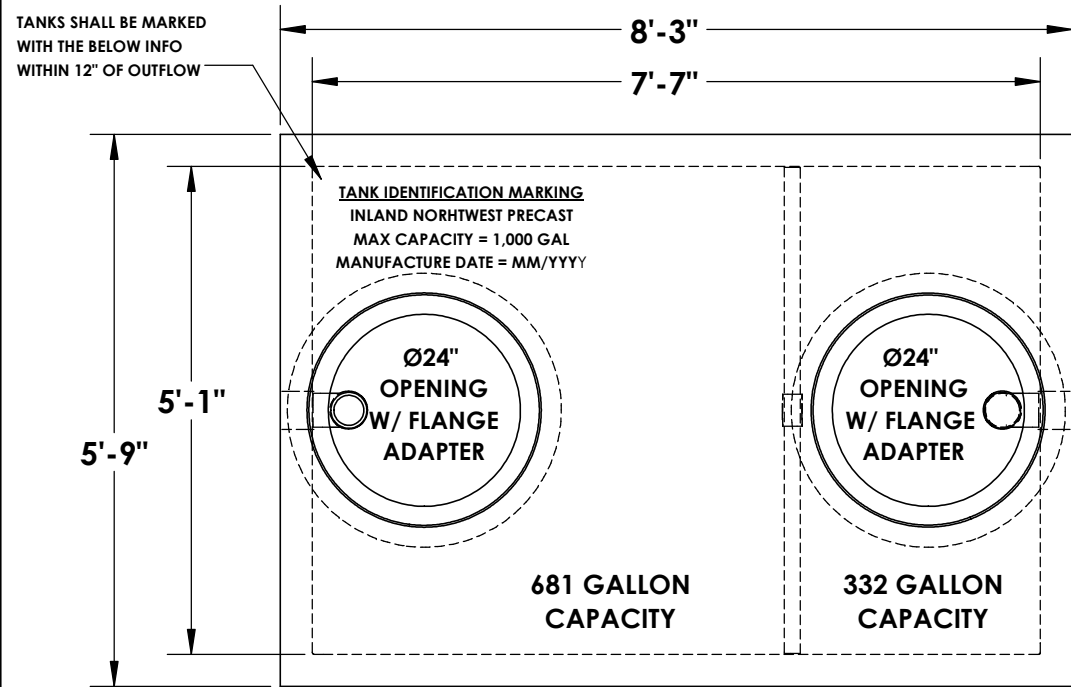




# 1000 GALLON DOUBLE COMPARTMENT SEPTIC TANK W/ FLANGE ADAPTER



\* CONCRETE:  
4,000 PSI MINIMUM

\* RISER/FLANGE ADAPTERS:  
AVAILABLE UPON REQUEST

- NOTES:**
- ~ BEDDING MUST BE COMPACTED AND AREA AROUND TANK MUST BE BACKFILLED PRIOR TO PUTTING INTO SERVICE
  - ~ Ø4" PRESS SEAL BOOTS PROVIDED AT INLET & OUTLET
  - ~ STRUCTURAL ENGINEERING CALCULATIONS AVAILABLE UPON REQUEST
  - ~ 2-1/2" TAPER FROM TOP TO BOTTOM OF TANK

© INLAND NORTHWEST PRECAST



5204 NORTH STARR RD PO BOX 610  
 NEWMAN LAKE, WA 99025  
 (509) 226-5050  
 www.inwprecast.com



**REINFORCEMENT**

**COVER:**

- ~ TRANSVERSE #4 @ 6"
- ~ LONGITUDINAL #4 @ 1'-0"

**BASE WALLS:**

- ~ 4x4W4xW4 WIRE MESH IN WALLS

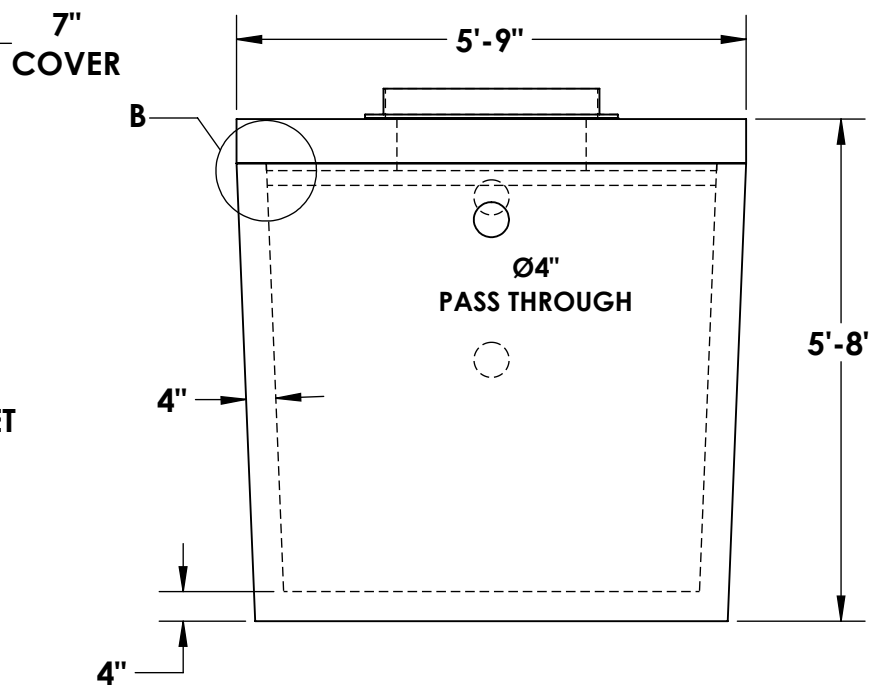
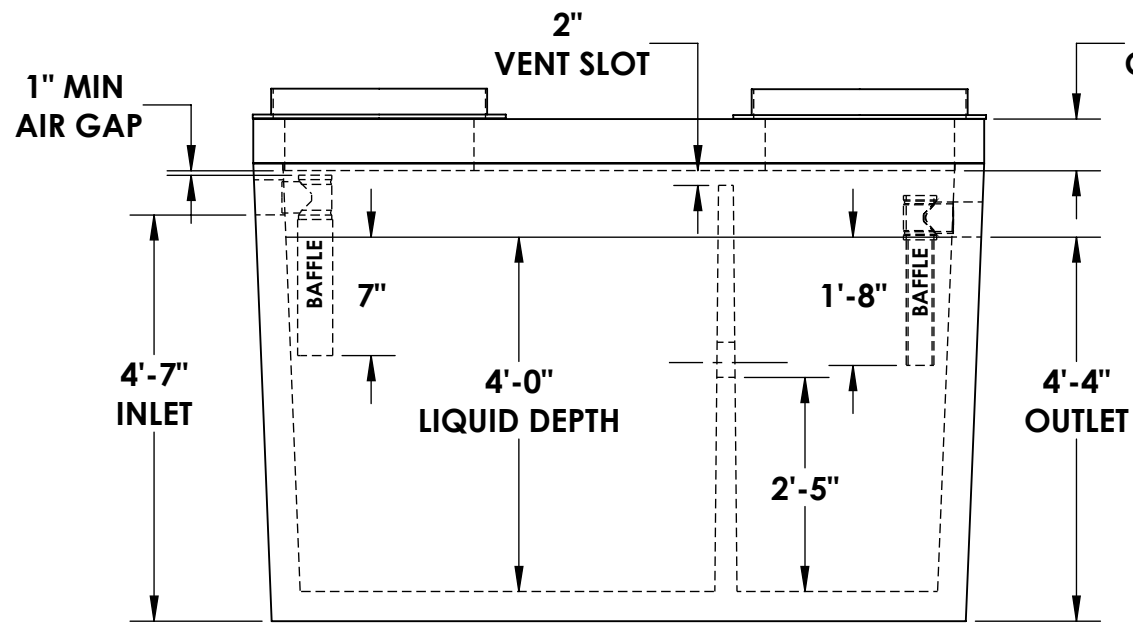
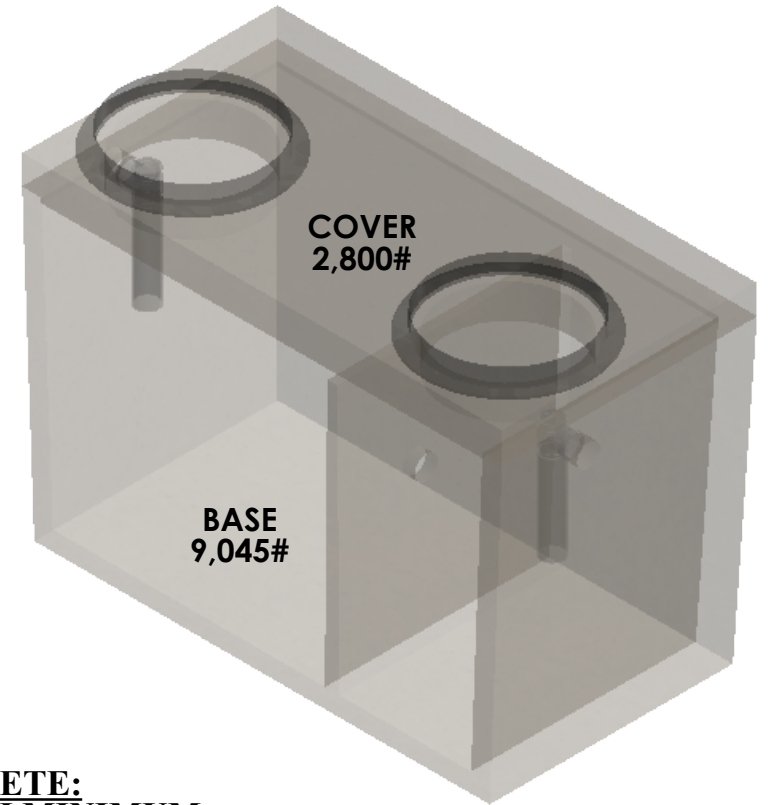
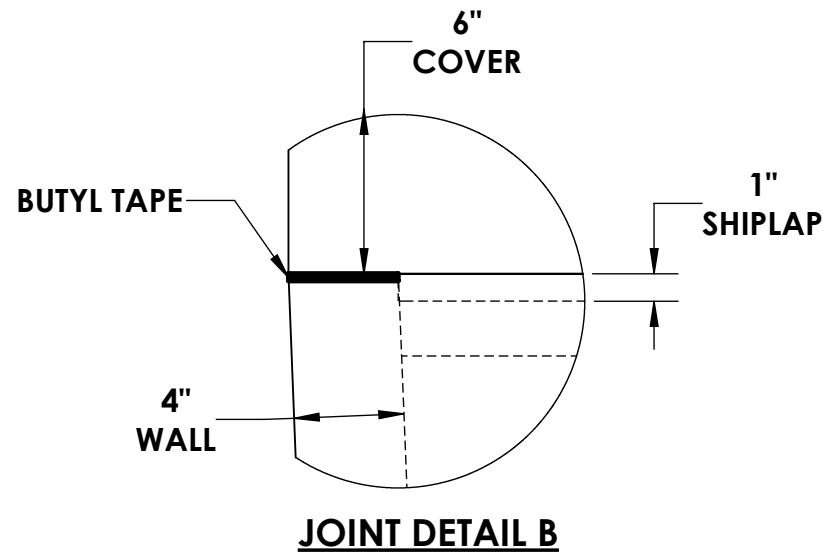
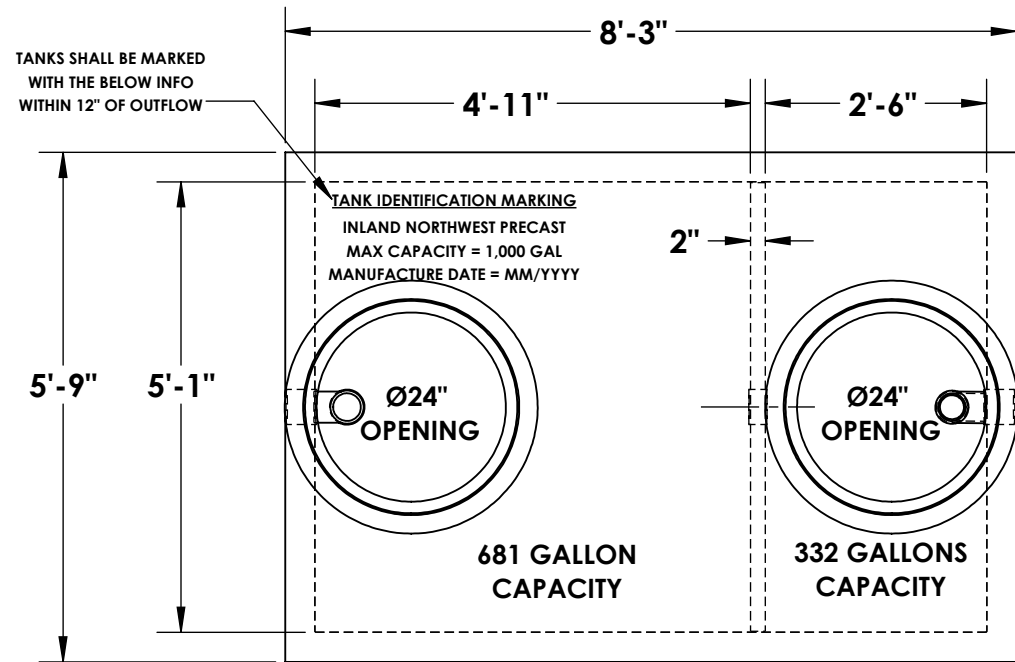
**BASE FLOOR:**

- ~ TRANSVERSE #4 @ 9"
- ~ LOGITUDINAL #4 @ 1'-0"

**\*ALL TANKS ARE MADE IN ACCORDANCE WITH ASTM C1227 - 13 (STANDARD SPECIFICATION FOR PRECAST CONCRETE SEPTIC TANKS)**



# 1000 GALLON DOUBLE COMPARTMENT SEPTIC TANK - TRAFFIC RATED



- \* **CONCRETE:**  
4,000 PSI MINIMUM
- \* **RISER/FLANGE ADAPTERS:**  
AVAILABLE UPON REQUEST
- \* **CONCRETE LIDS**  
AVAILABLE UPON REQUEST

- NOTES:**
- ~ BEDDING MUST BE COMPACTED AND AREA AROUND TANK MUST BE BACKFILLED PRIOR TO PUTTING INTO SERVICE
  - ~ Ø4" PRESS SEAL BOOTS PROVIDED AT INLET & OUTLET
  - ~ STRUCTURAL ENGINEERING CALCULATIONS AVAILABLE UPON REQUEST
  - ~ 2-1/2" TAPER FROM TOP TO BOTTOM OF TANK

© INLAND NORTHWEST PRECAST 2018



5204 NORTH STARR RD PO BOX  
NEWMAN LAKE, WA 99025  
(509) 226-5050  
www.inwprecast.com



**REINFORCEMENT:**

- ~ LID  
TRANSV. - #4 @ 6"  
LONGIT. - #4 @ 1'-0"
- ~ WALLS  
4x4W4xW4 THROUGHOUT
- ~ BASE  
TRANSV. - #4 @ 9"  
LONGIT. - #4 @ 12"

\* ALL TANKS ARE MADE IN ACCORDANCE WITH ASTM C1227 - 13 (STANDARD SPECIFICATION FOR PRECAST CONCRETE SEPTIC TANKS)