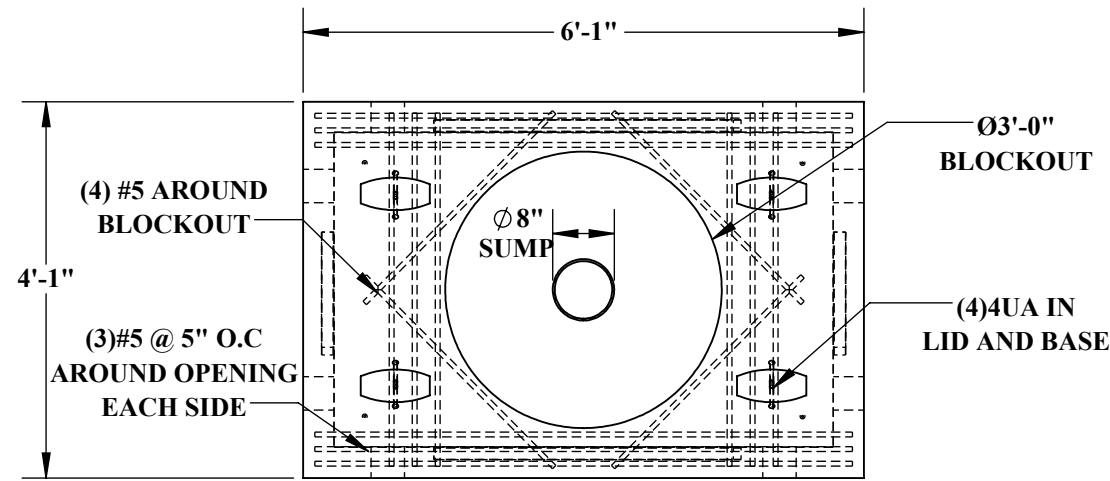




# TELECOM VAULT SMALL

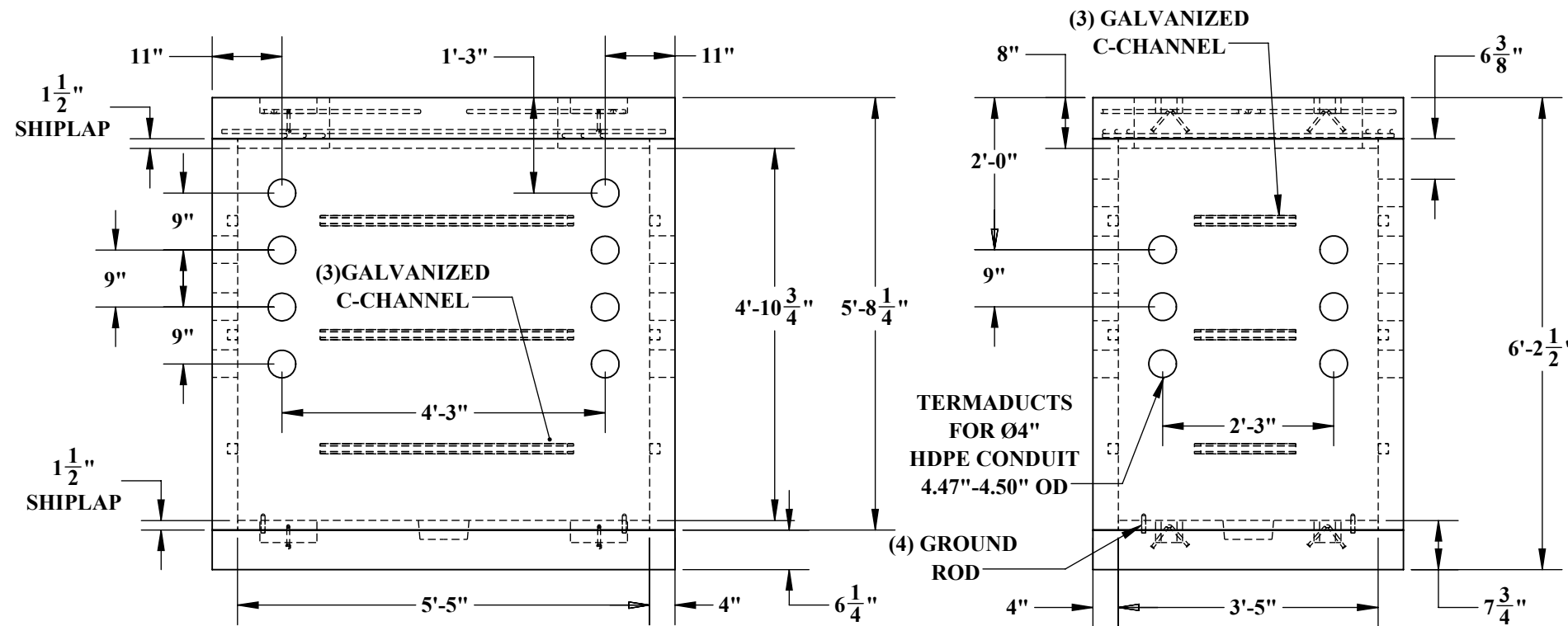
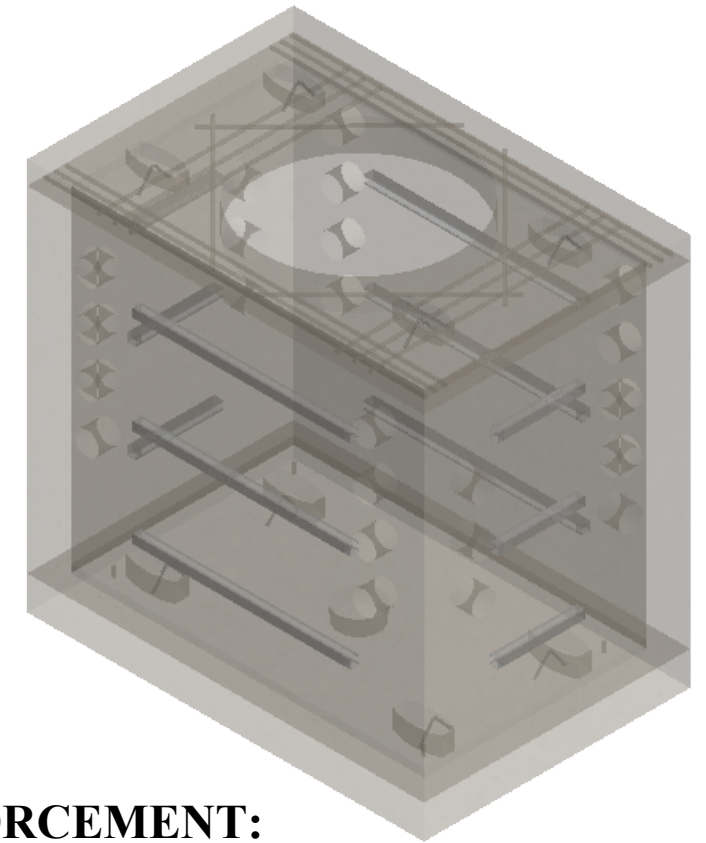


## ~WEIGHTS:

~BASE - 2,235# (.55 CU/YDS)

~RISER - 4,745# (1.17 CU/YDS)

~LID - 1,620# (.40 CU/YDS)



## ~REINFORCEMENT:

**LID - #5 @ 10" O.C.E.W. SEE NOTES FOR EXTRA BAR AROUND OPENEING**

**WALLS - #4 @ 8" O.C.E.W CENTERED IN WALL.**

**BASE - #4 @ 12" O.C.E.W (2.5" CLR FROM TOP)**



5204 NORTH STARR RD PO BOX 610  
 NEWMAN LAKE, WA 99025  
 (509) 226-5050  
 www.inwprecast.com



PROJECT:

CONTRACTOR:

DATE: