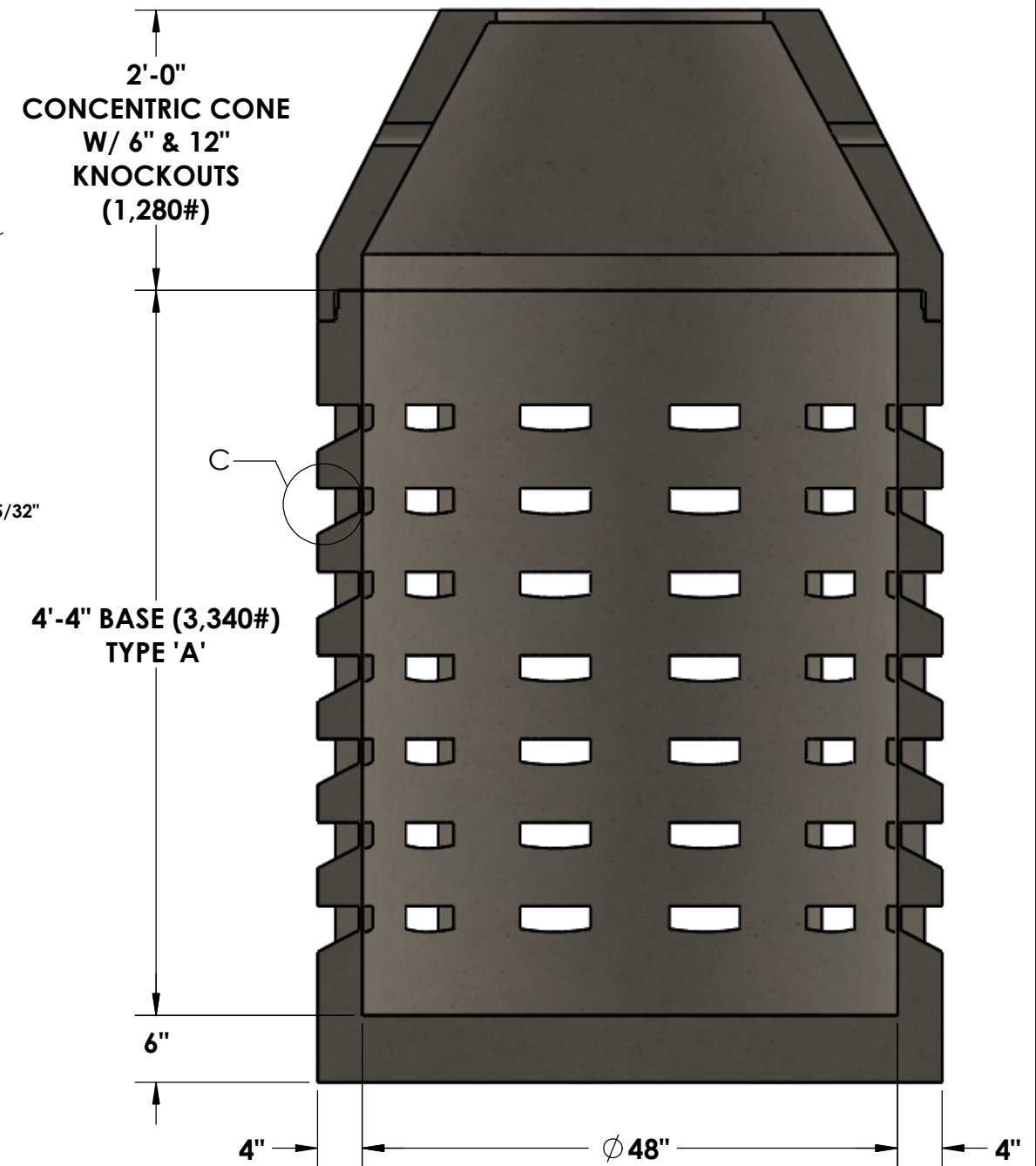
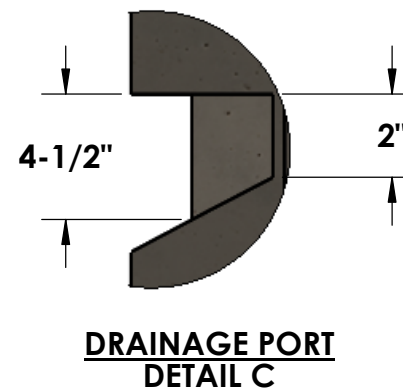
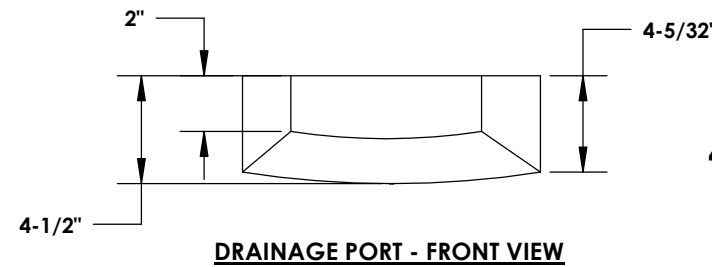
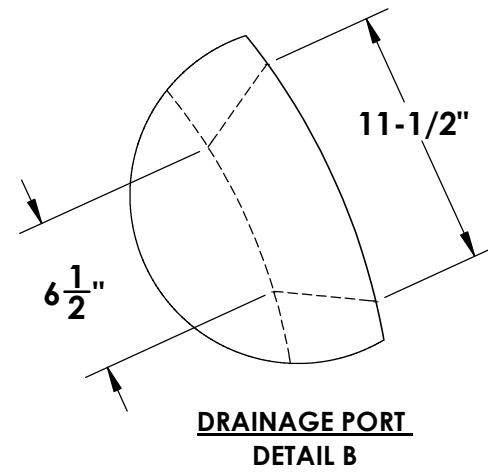
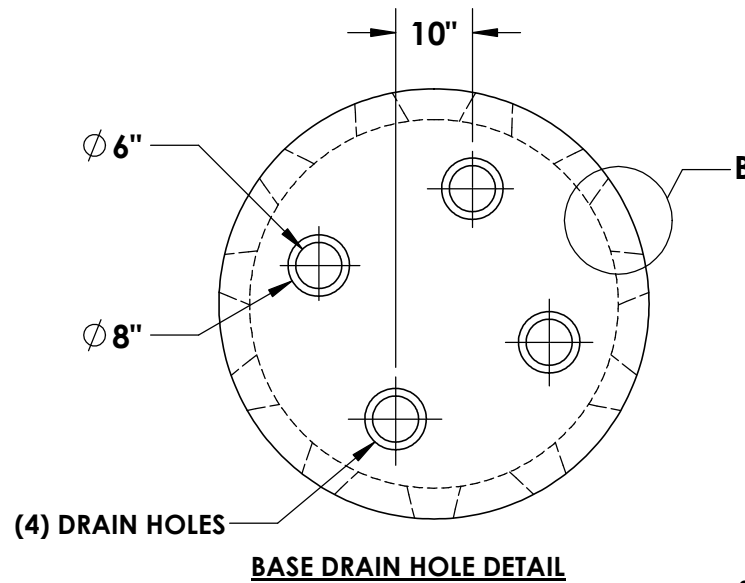




Ø48" TYPE 'A' DRYWELL



CONCRETE:
4,000 PSI MIN. @ 28 DAYS

ROUND ADJUSTMENT RINGS:
AVAILABLE UPON REQUEST

CAST-IRON:
AVAILABLE UPON REQUEST

REINFORCEMENT:
AVAILABLE UPON REQUEST

© INLAND NORTHWEST PRECAST



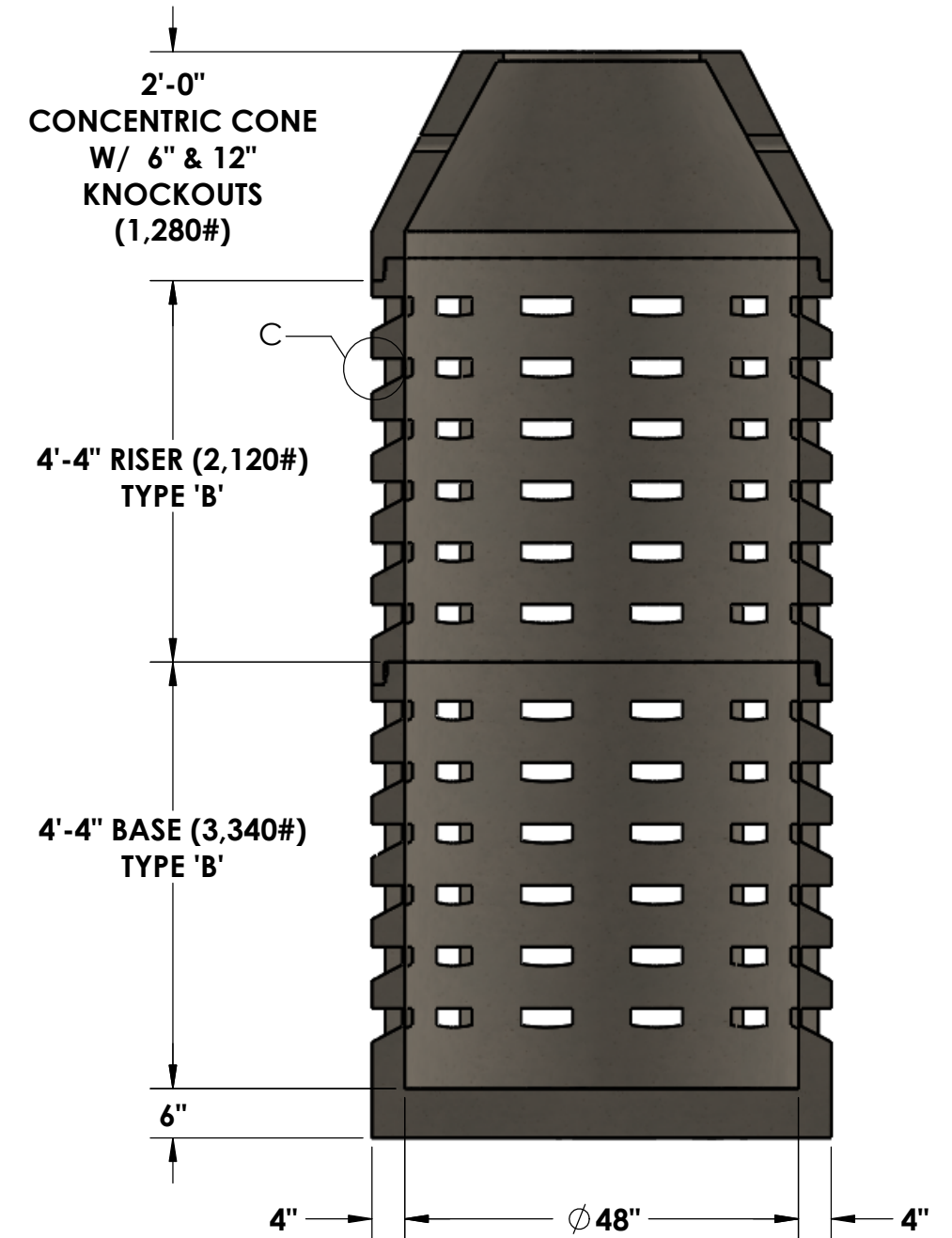
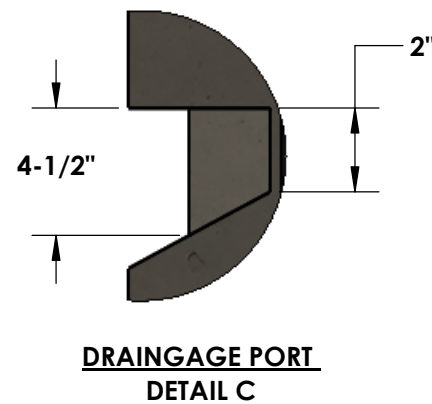
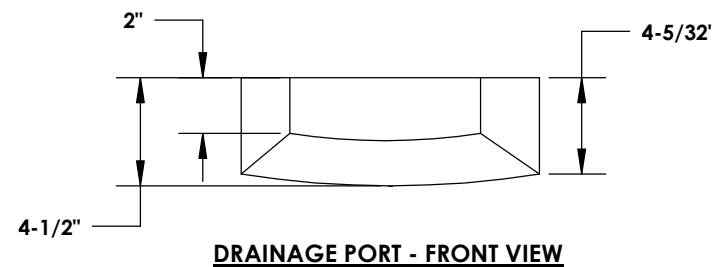
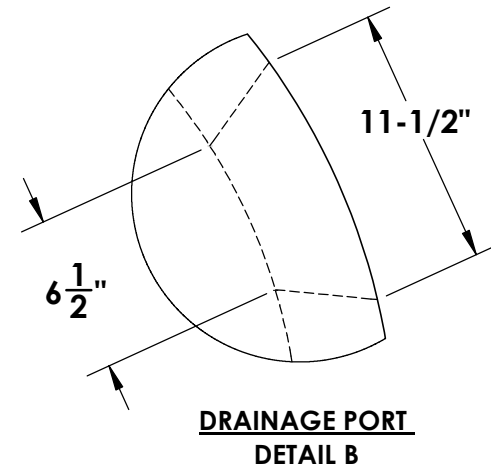
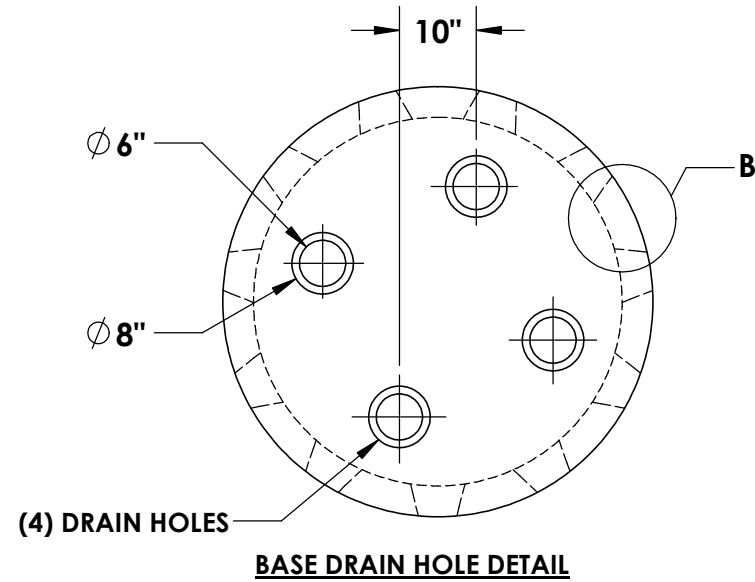
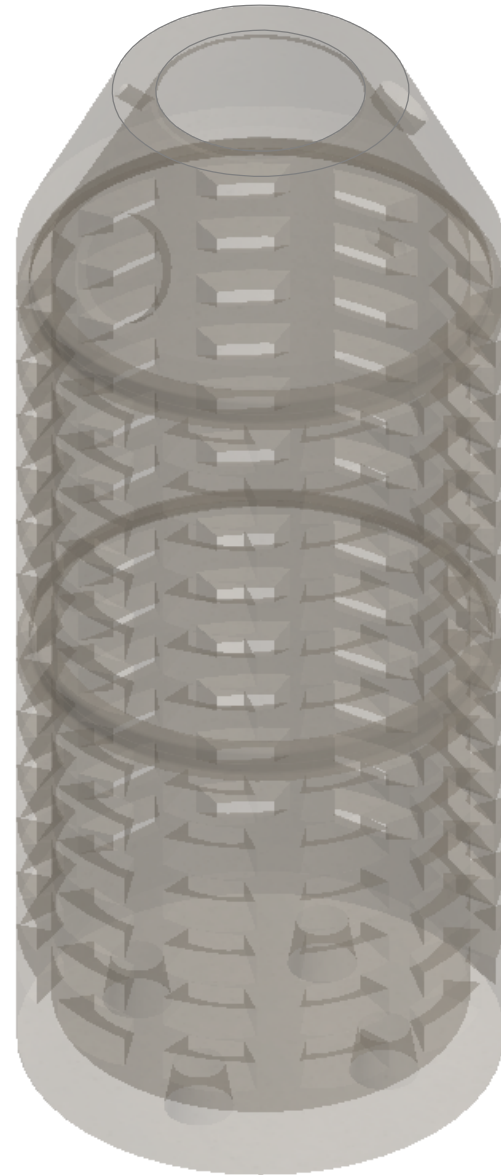
5204 NORTH STARR RD
NEWMAN LAKE, WA 99025
(509) 226-5050
www.inwprecast.com



DRYWELLS MEET OR EXCEED WSDOT STANDARD B-20.20 AND MEETS OR EXCEEDS SPOKANE COUNTY STANDARD B-1, B-2, B-3 & IS CONSTRUCTED IN ACCORDANCE WITH THE REQUIREMENTS OF ASTM C478, AASHTO M-199, & ASTM C443



Ø48" TYPE 'B' DRYWELL



CONCRETE:
4,000 PSI MIN. @ 28 DAYS

ROUND ADJUSTMENT RINGS:
AVAILABLE UPON REQUEST

CAST-IRON:
AVAILABLE UPON REQUEST

REINFORCEMENT:
#4 GRADE 60 REBAR @ 10"
EACH WAY

© INLAND NORTHWEST PRECAST



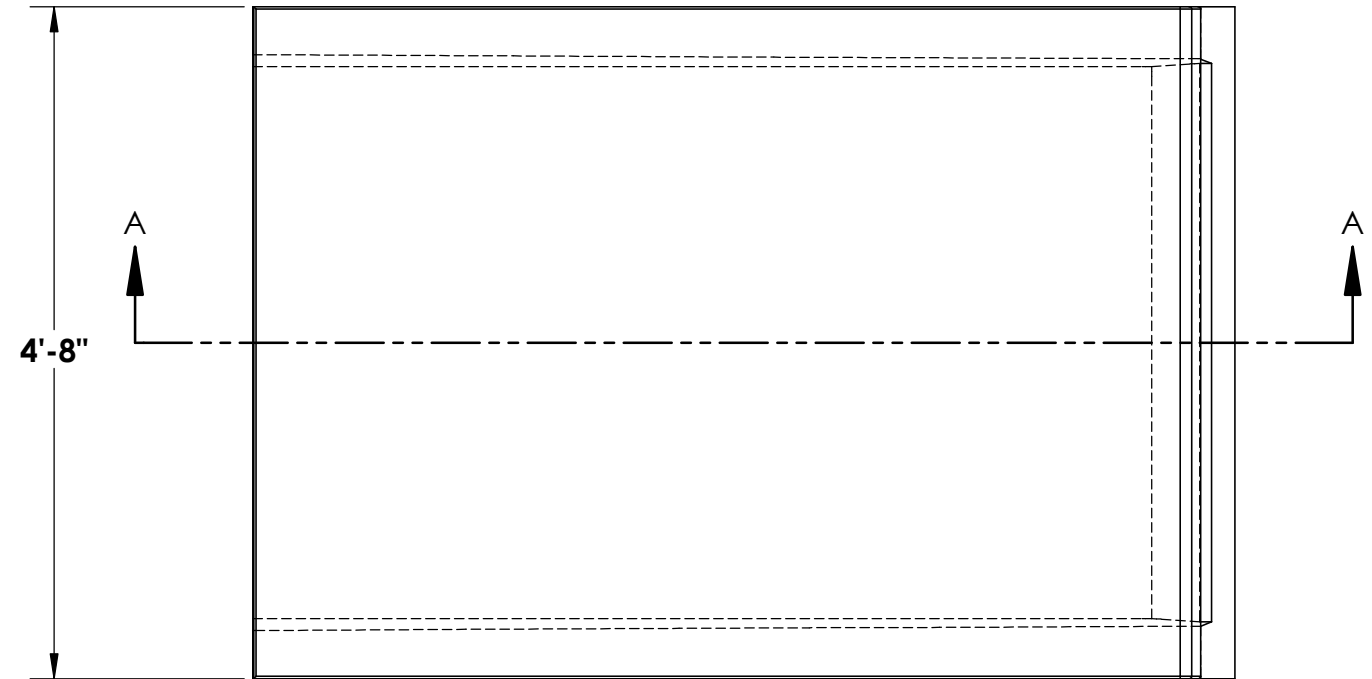
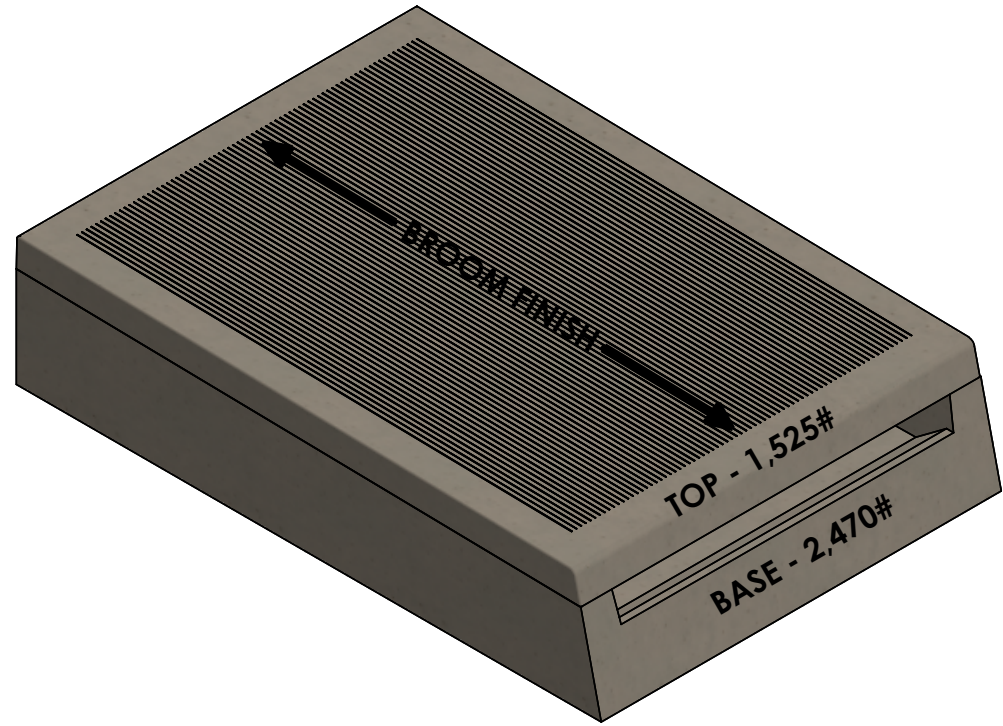
5204 NORTH STARR RD
NEWMAN LAKE, WA 99025
(509) 226-5050
www.inwprecast.com



DRYWELLS MEET OR EXCEED WSDOT STANDARD B-20.20 AND MEETS OR EXCEEDS SPOKANE COUNTY STANDARD B-1, B-2, B-3 & IS CONSTRUCTED IN ACCORDANCE WITH THE REQUIREMENTS OF ASTM C478, AASHTO M-199, & ASTM C443



TYPE 2 SPECIAL CURB INLET

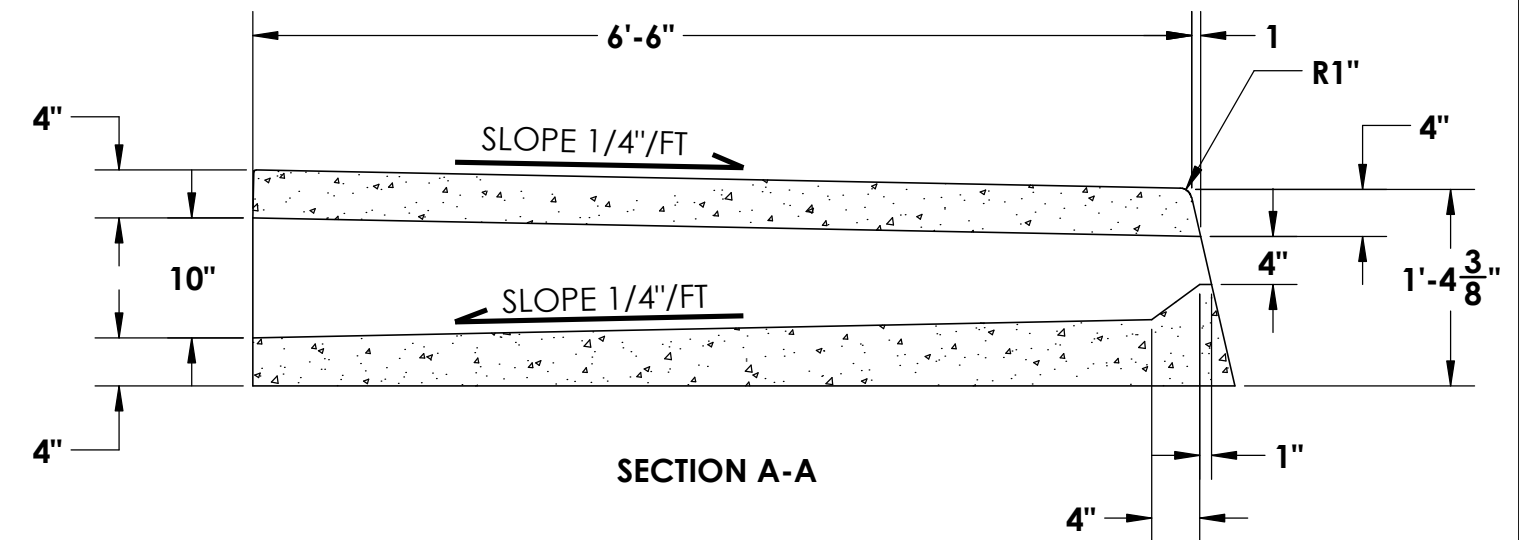
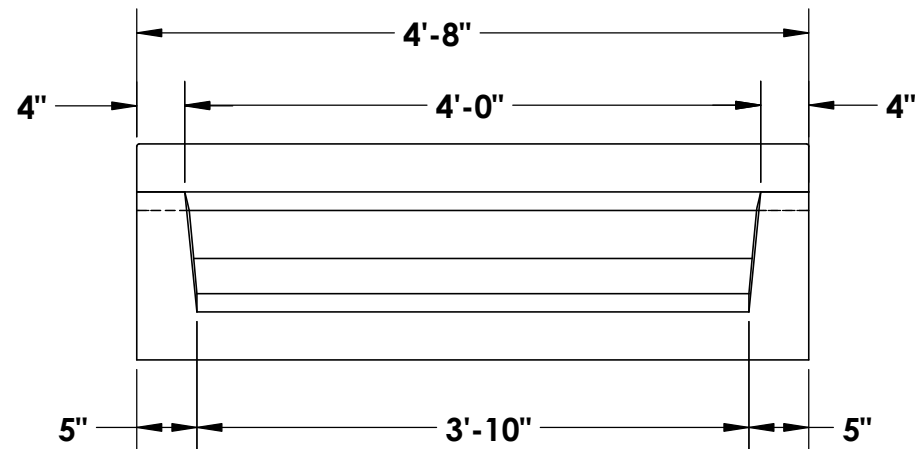


CONCRETE:
4,000 PSI MIN. @ 28 DAYS

REINFORCEMENT:
TOP #4 BAR @ 10" O.C.E.W.
BOTTOM #4 BAR @ 10" O.C.E.W.

NOTES:
ALL EXTERNAL EDGES NOT LABELED SHALL BE TROWELED WITH 1/4" RADIUS EDGER

SIZES:
CAN VARY UPON REQUEST



© INLAND NORTHWEST PRECAST



5204 NORTH STARR RD PO BOX 610
NEWMAN LAKE, WA 99025
(509) 226-5050
www.inwprecast.com



INLETS MEET OR EXCEED SPOKANE COUNTY STANDARD B-9 AND IS CONSTRUCTED IN ACCORDANCE WITH THE REQUIREMENTS OF ASTM C478 (AASHTO M 199), & ASTM C890