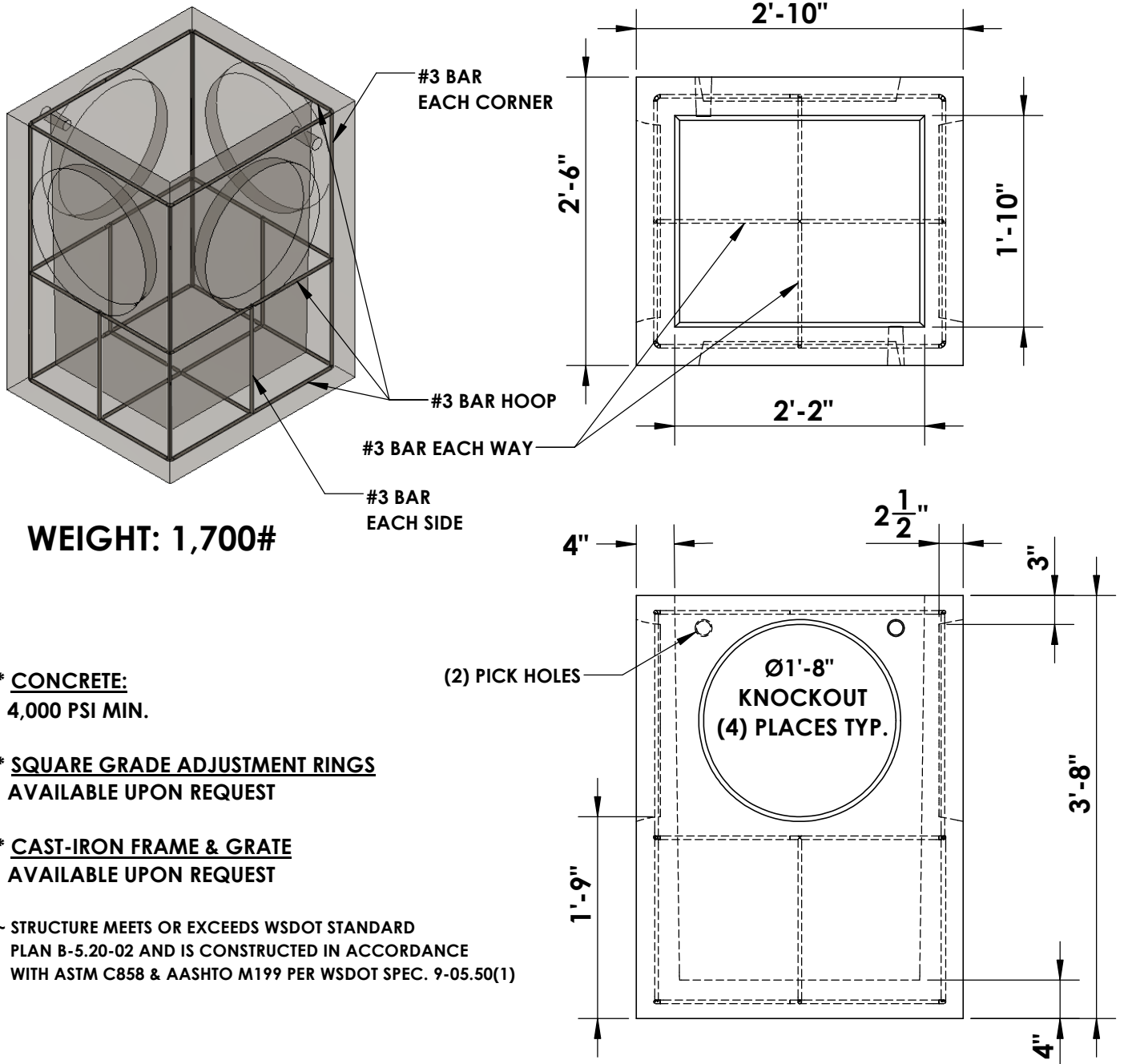




TYPE 1 CATCH BASIN



* **CONCRETE:**
4,000 PSI MIN.

* **SQUARE GRADE ADJUSTMENT RINGS**
AVAILABLE UPON REQUEST

* **CAST-IRON FRAME & GRATE**
AVAILABLE UPON REQUEST

~ STRUCTURE MEETS OR EXCEEDS WSDOT STANDARD
PLAN B-5.20-02 AND IS CONSTRUCTED IN ACCORDANCE
WITH ASTM C858 & AASHTO M199 PER WSDOT SPEC. 9-05.50(1)

© INLAND NORTHWEST PRECAST 2018

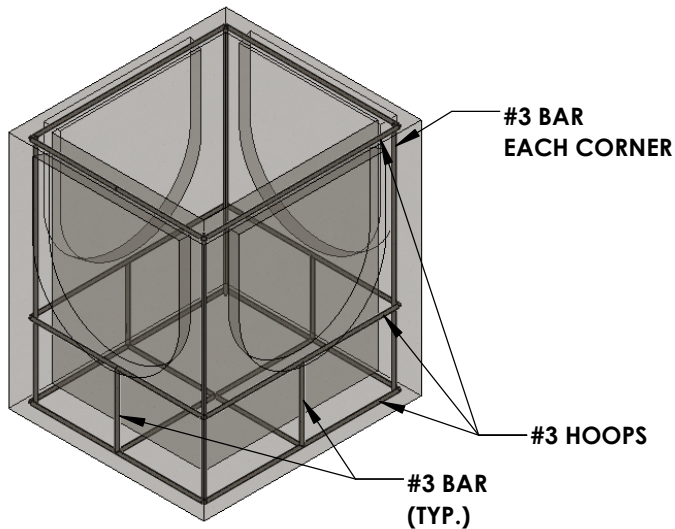


5204 NORTH STARR RD PO BOX 610
NEWMAN LAKE, WA 99025
(509) 226-5050
www.inwprecast.com

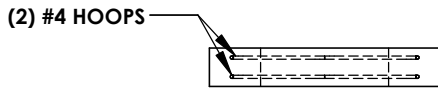
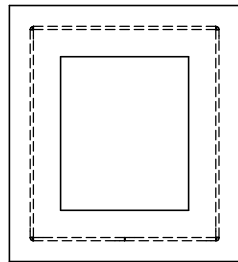
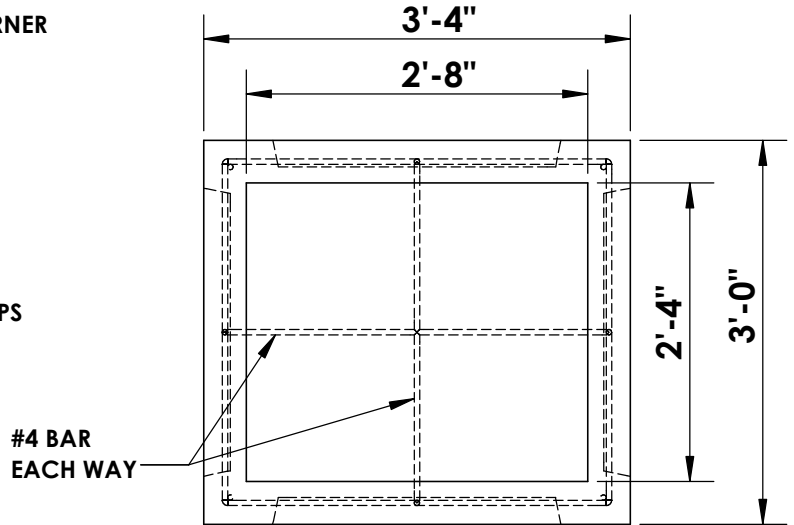




TYPE 1L CATCH BASIN



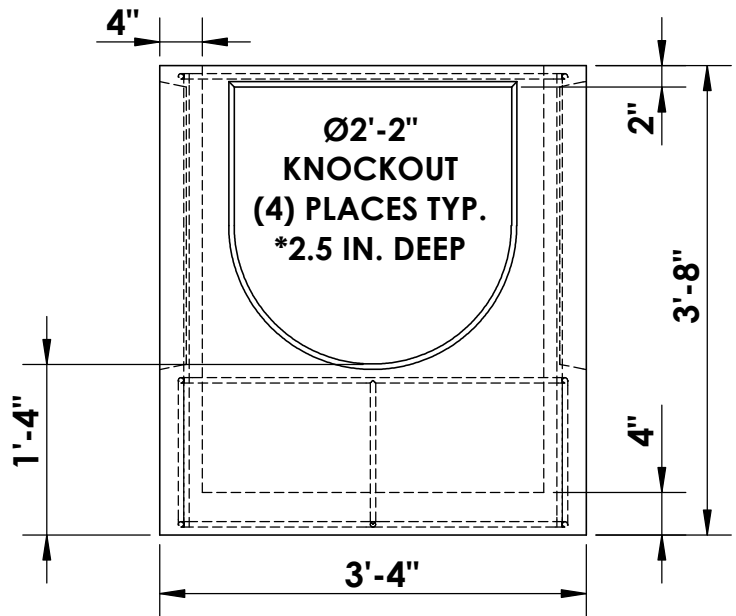
WEIGHT: 1,770# (0.46 CU/YDS)



*** CONCRETE:**
4,000 PSI MIN.

*** REINFORCEMENT:**
#4 GRADE 60 REBAR THROUGHOUT

*** SQUARE GRADE ADJUSTMENT RINGS:**
AVAILABLE UPON REQUEST



~ STRUCTURE MEETS OR EXCEEDS WSDOT STANDARD
PLAN B-5.40-02 AND CONSTRUCTED IN ACCORDANCE
WITH ASMT C858 & AASHTO M199 PER WSDOT SPEC. 9-04.3

© INLAND NORTHWEST PRECAST

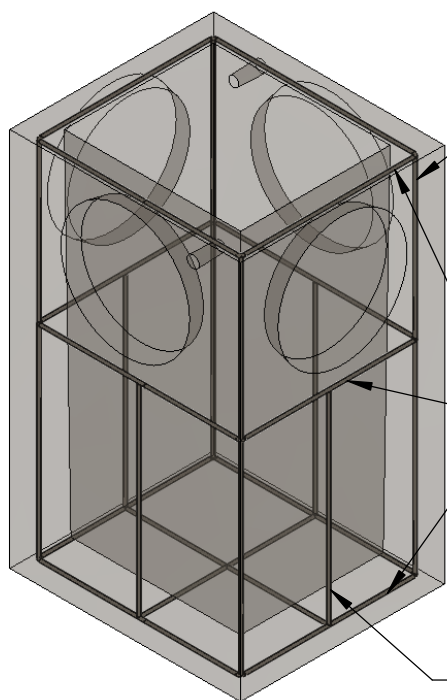


5204 NORTH STARR RD PO BOX 610
NEWMAN LAKE, WA 99025
(509) 226-5050
www.inwprecast.com





TYPE 1P CATCH BASIN



#3 BAR EACH CORNER

#3 BAR HOOP

#3 BAR EACH WAY

#3 BAR EACH SIDE

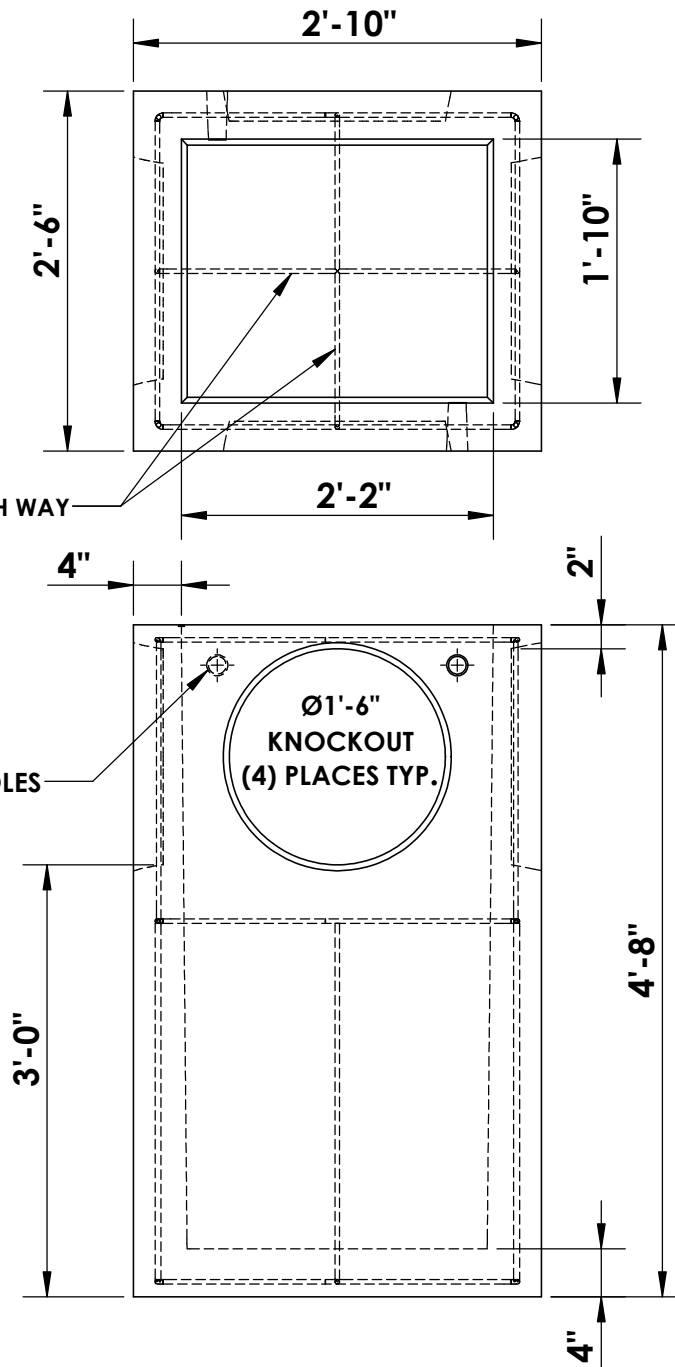
WEIGHT: 2,165# (0.56 CU/YDS)

* CONCRETE:
4,000 PSI MIN.

* SQUARE GRADE ADJUSTMENT RINGS:
AVAILABLE UPON REQUEST

* CAST-IRON FRAME & GRATE
AVAILABLE UPON REQUEST

(2) PICK HOLES



~ STRUCTURE MEETS OR EXCEEDS WSDOT STANDARD
PLAN B-5.60-02 AND CONSTRUCTED IN ACCORDANCE
WITH ASMT C858 & AASHTO M199 PER WSDOT SPEC. 9-04.3

© INLAND NORTHWEST PRECAST 2018

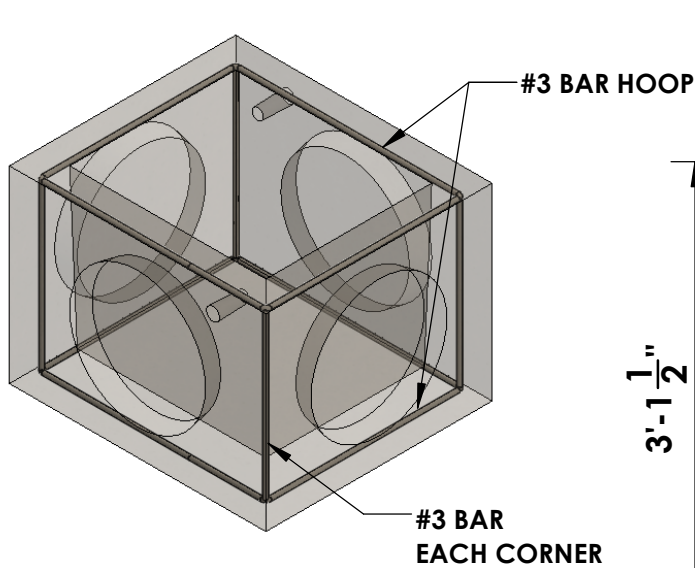


5204 NORTH STARR RD PO BOX 610
NEWMAN LAKE, WA 99025
(509) 226-5050
www.inwprecast.com

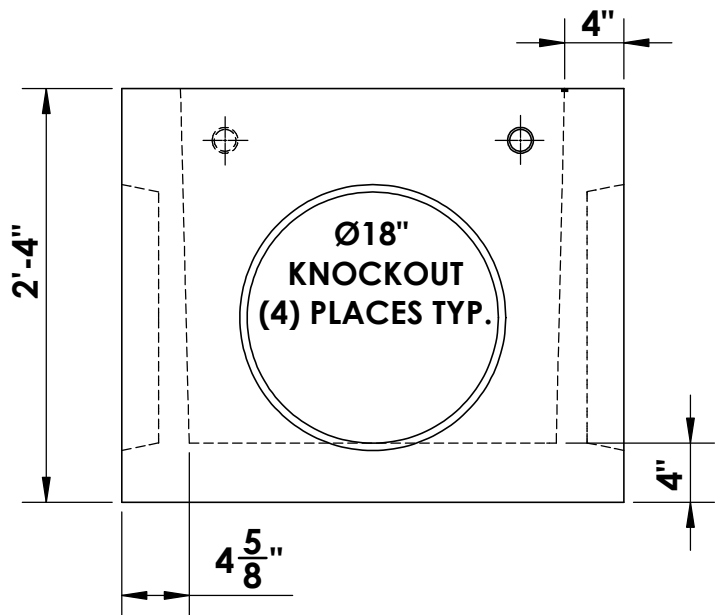
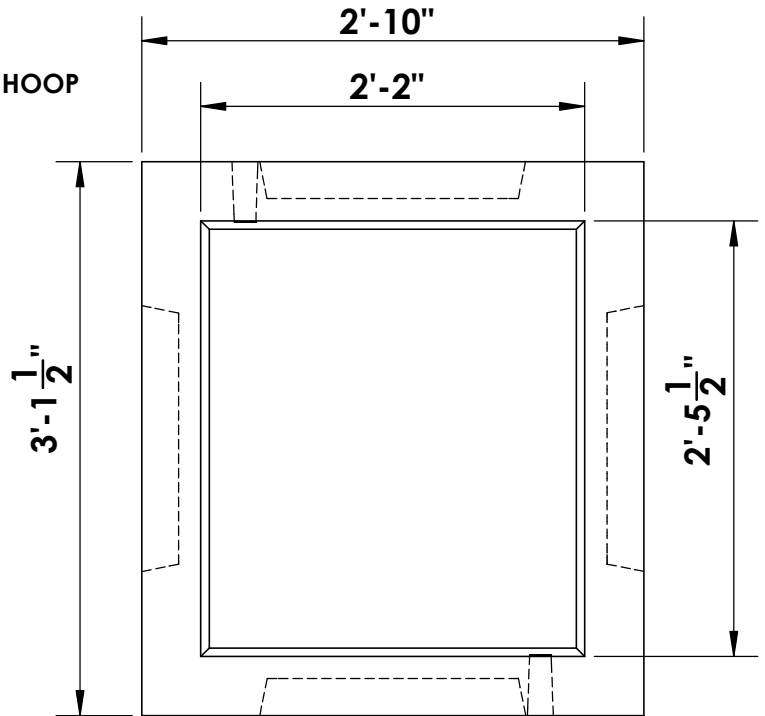




TYPE 2 CONCRETE INLET



WEIGHT: 1,360#



* CONCRETE:
4,000 PSI MIN.

* SQUARE GRADE ADJUSTMENT RINGS:
AVAILABLE UPON REQUEST

* CAST-IRON FRAME & GRATE:
AVAILABLE UPON REQUEST

~ STRUCTURE MEETS OR EXCEEDS SPOKANE COUNTY STANDARD PLAN B-6 AND IS CONSTRUCTED IN ACCORDANCE WITH ASTM C858

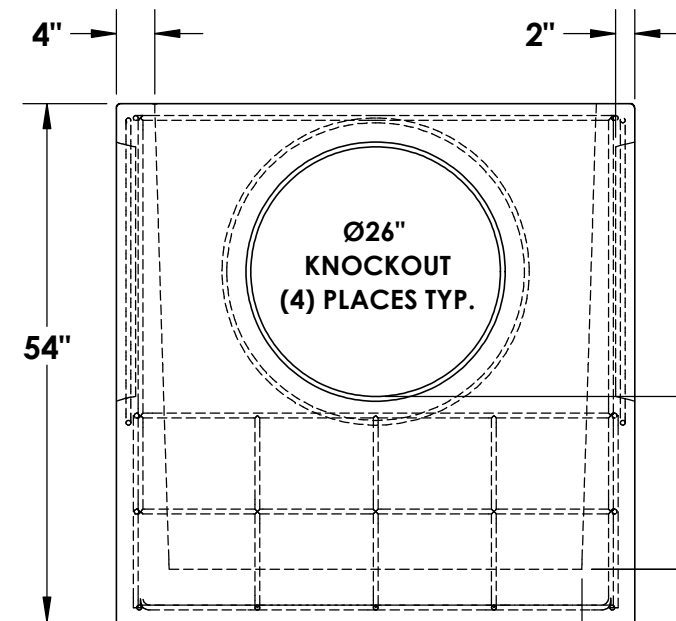
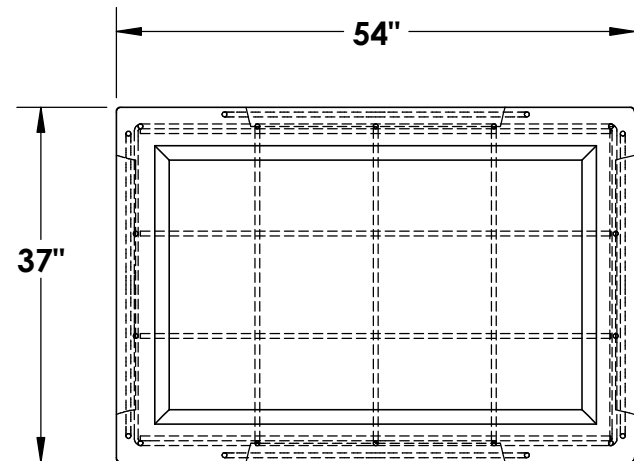
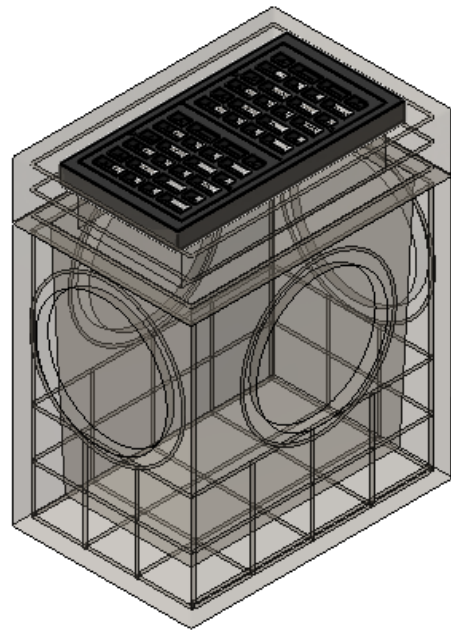


5204 NORTH STARR RD PO BOX 610
NEWMAN LAKE, WA 99025
(509) 226-5050
www.inwprecast.com

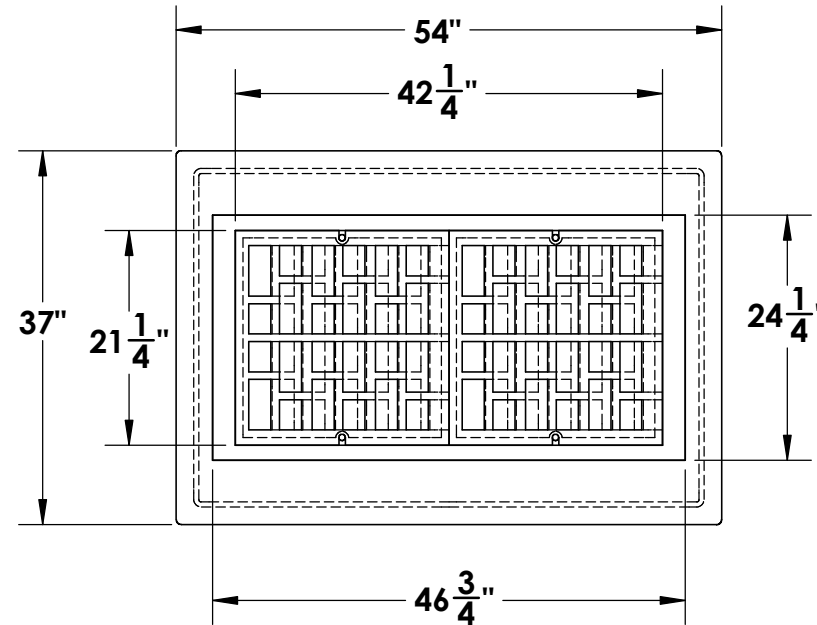




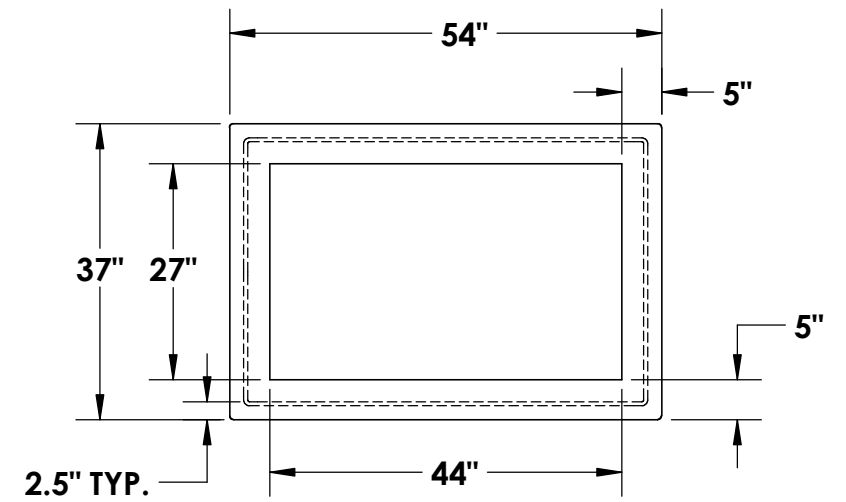
TYPE 2 GRATE INLET



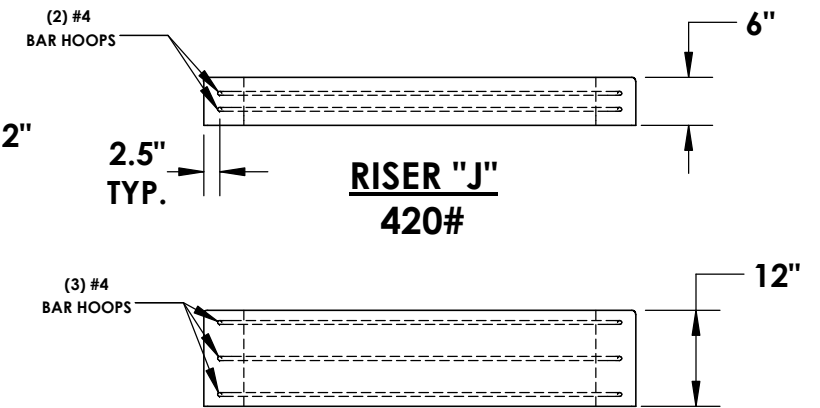
BASE
3,830#



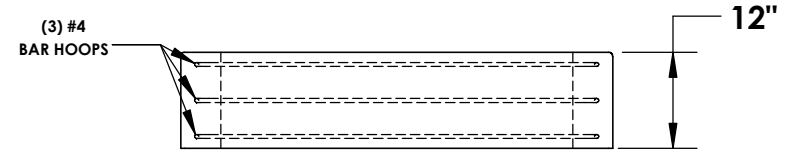
RISER "H"
1,010#



RISER "J" & "K"



RISER "J"
420#



RISER "K"
840#

* **CONCRETE:**
4,000 PSI MIN.

* **REINFORCEMENT (BASE):**
#4 BAR THROUGHOUT

* **SQUARE GRADE ADJUSTMENT RINGS:**
AVAILABLE UPON REQUEST

* **GRATE:**
AVAILABLE UPON REQUEST

~ ALL EXPOSED CONCRETE EDGES SHALL BE FINISHED WITH
A 1/2" RADIUS

© INLAND NORTHWEST PRECAST

5204 NORTH STARR RD PO BOX 610
NEWMAN LAKE, WA 99025
(509) 226-5050
www.inwprecast.com



INLETS MEET OR EXCEED WSDOT
STANDARD B-35.40 AND IS
CONSTRUCTED IN ACCORDANCE
WITH THE REQUIREMENTS OF
ASTM C478, AASHTO M-199,
& ASTM C443