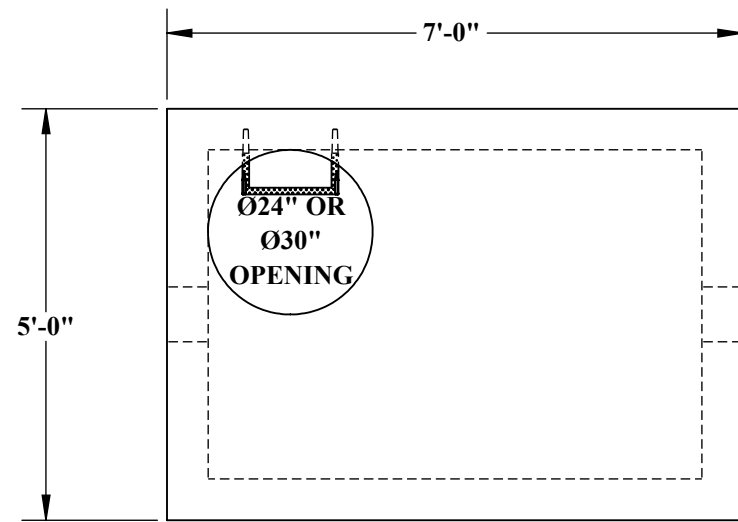


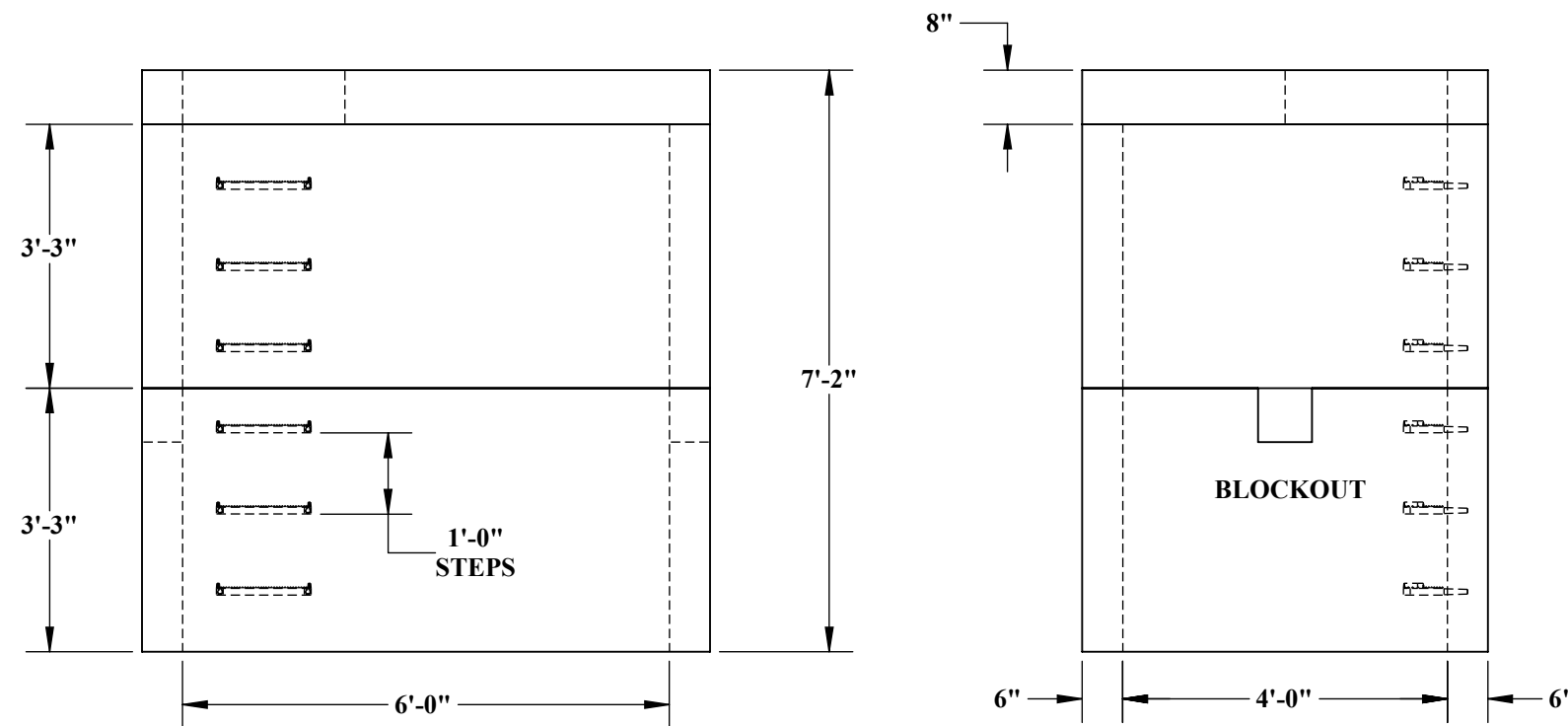
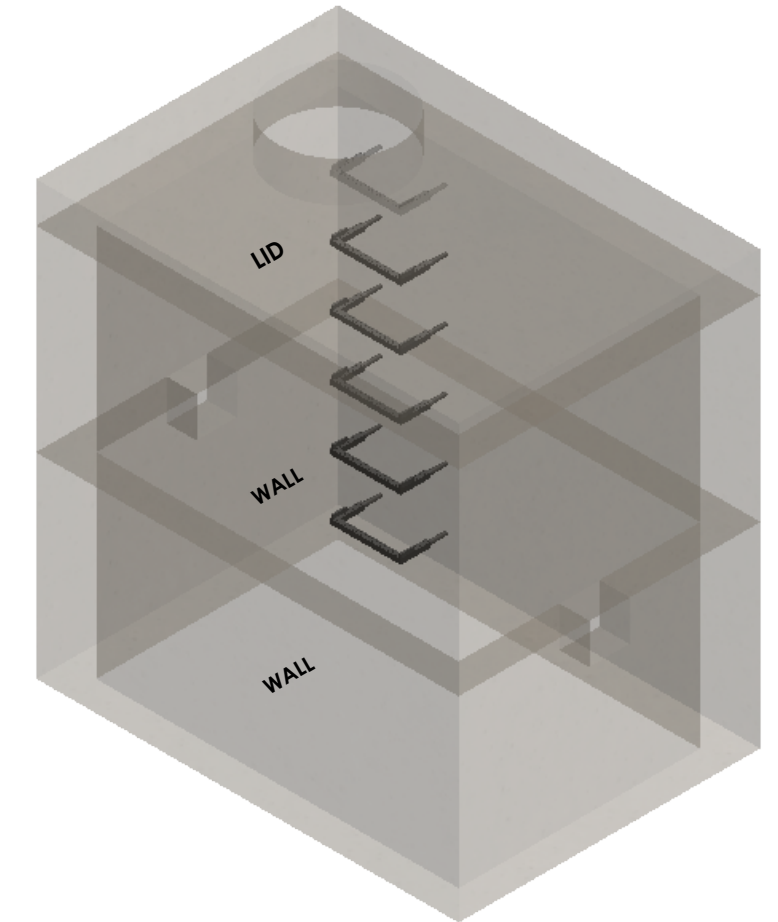


# 4'-0" x 6'-0" UTILITY VAULT



~ LID  
- 3,185# (0.79 CU/YDS)

~ WALLS  
- 5,370# (1.32 CU/YDS)



**CONCRETE:**  
4,000 PSI MINIMUM

**REINFORCMENT:**  
LID - #5 @ 5" O.C TRANSVERSE  
#5 @ 12" O.C LONGITUDINAL  
WALLS - #4 @ 9" O.C VERTICAL  
#5 @ 9" O.C HORIZONTAL

**BLOCKOUT:**  
SIZES AVAILABLE UPON REQUEST



5204 NORTH STARR RD PO BOX 610  
NEWMAN LAKE, WA 99025  
(509) 226-5050  
www.inwprecast.com



\*ALL UTILITY VAULTS MEET  
AND ARE CONSTRUCTED IN  
ACCORDANCE WITH  
ASTM C858