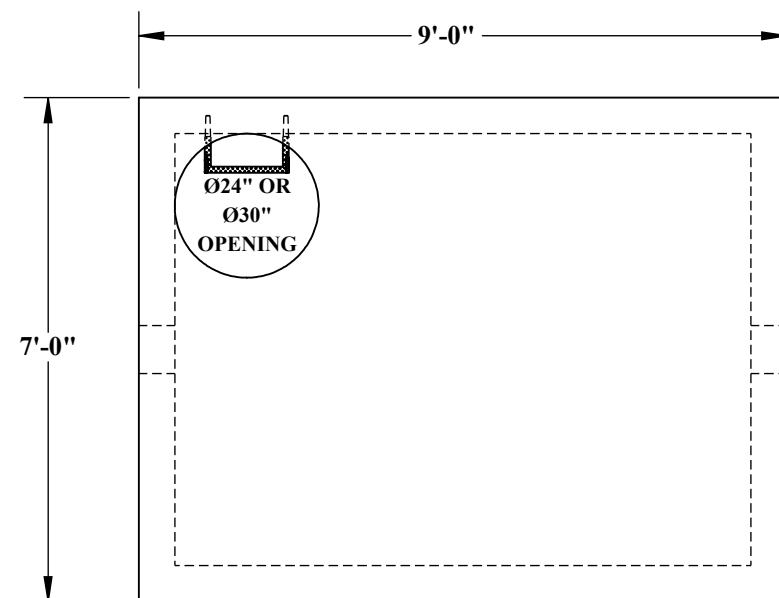


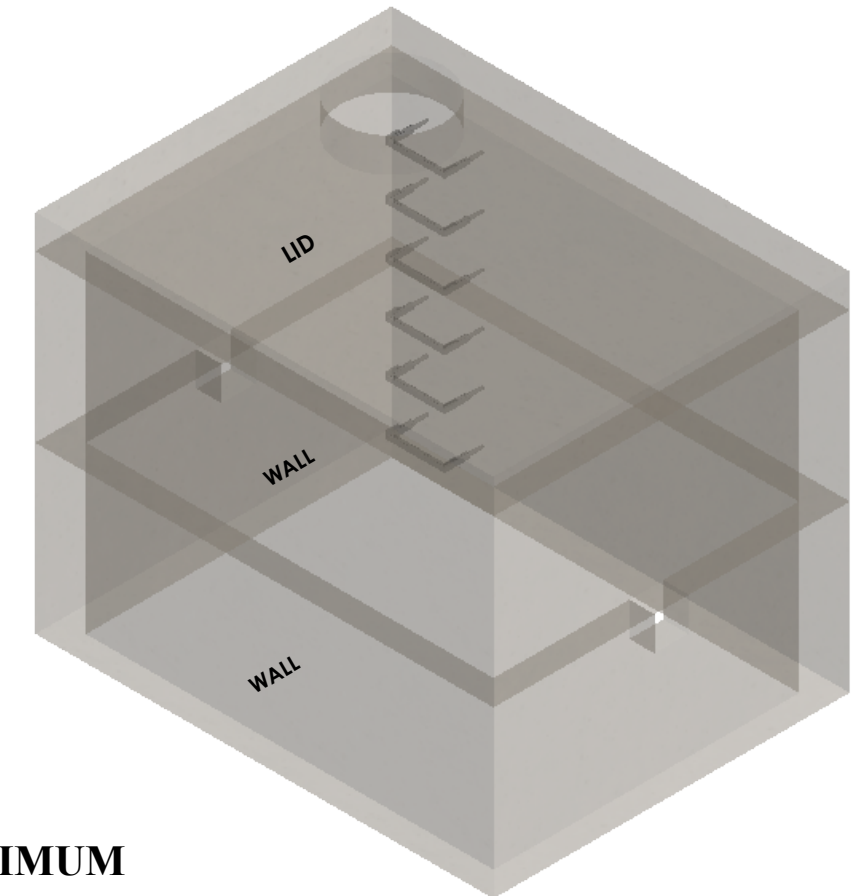


6'-0" x 8'-0" UTILITY VAULT



~ LID
- 5,990# (1.48 CU/YDS)

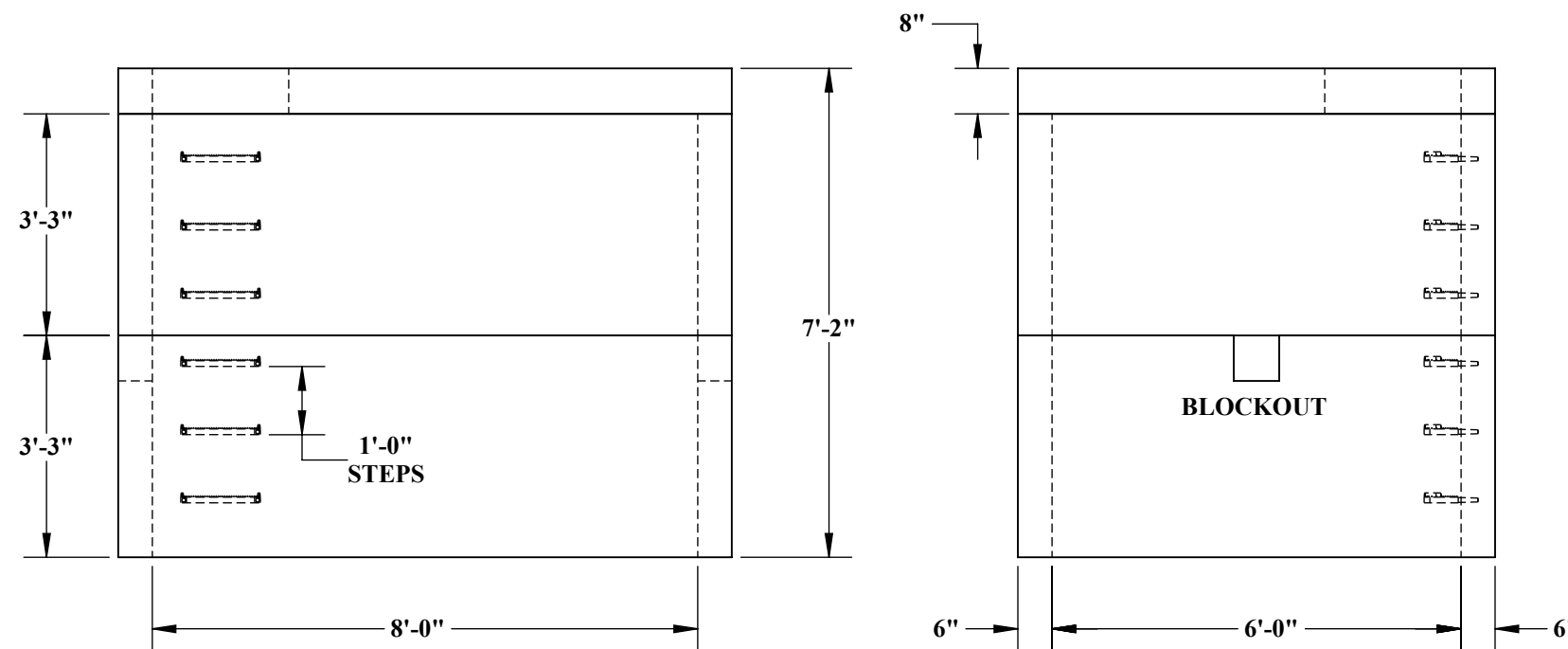
~ WALLS
- 7,325# (1.80 CU/YDS)



CONCRETE:
4,000 PSI MINIMUM

REINFORCEMENT:
LID - #5 @ 5" O.C TRANSVERSE
#5 @ 9" O.C LONGITUDINAL
WALLS - #4 @ 9" O.C VERTICAL
#5 @ 6" O.C HORIZONTAL

BLOCKOUT:
SIZES AVAILABLE UPON REQUEST



5204 NORTH STARR RD PO BOX 610
NEWMAN LAKE, WA 99025
(509) 226-5050
www.inwprecast.com



*ALL UTILITY VAULTS MEET
AND ARE CONSTRUCTED IN
ACCORDANCE WITH
ASTM C858